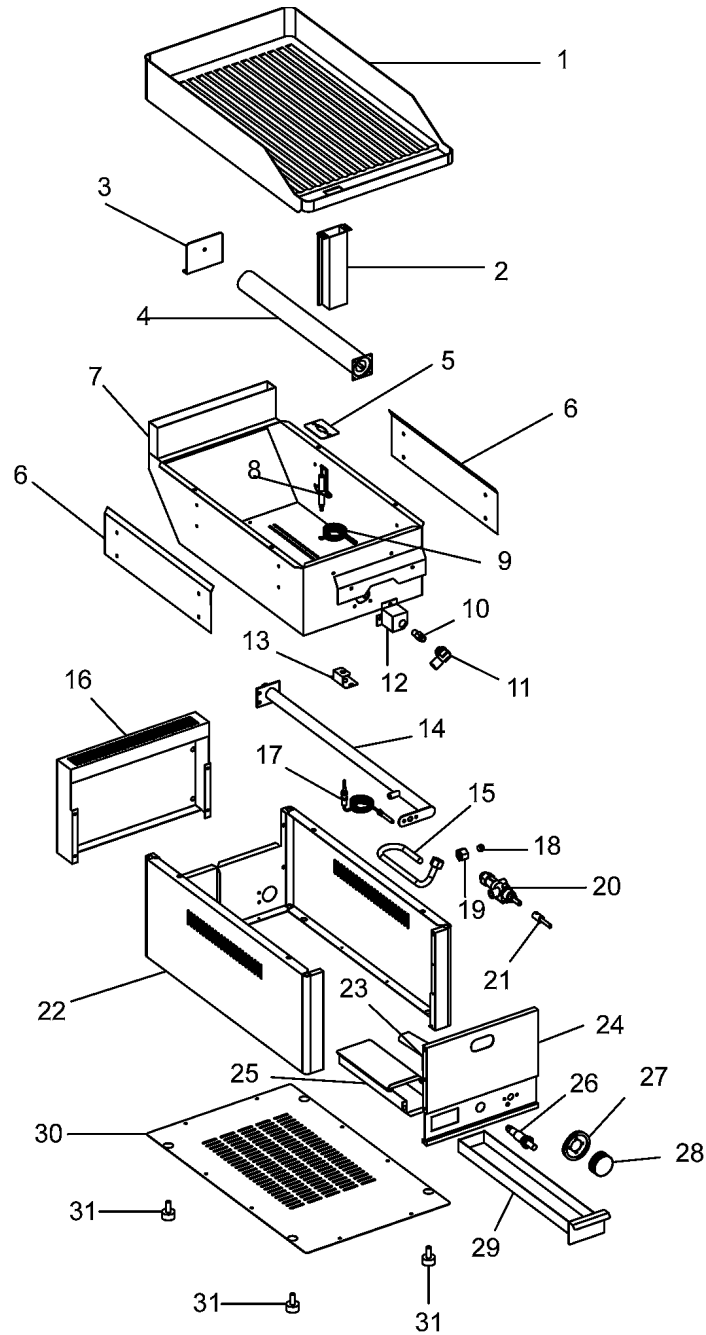


EXPLOSIONSZEICHNUNG



KBS Gastrotechnik GmbH – Schoßbergstraße 26 – 65201 Wiesbaden



POS. CODE

| | |
|----|--------|
| 1 | CO0358 |
| 1 | CO0360 |
| 1 | CO0361 |
| 1 | CO0362 |
| 1 | CO6494 |
| 1 | CO6496 |
| 1 | CO6497 |
| 1 | CO6498 |
| 4 | CO4900 |
| 8 | CO4896 |
| 9 | CO4895 |
| 10 | CO4897 |
| 10 | CO4898 |
| 10 | CO4899 |
| 11 | CO0884 |
| 15 | CO6464 |
| 15 | CO6465 |
| 16 | CO0679 |
| 16 | CO0680 |
| 17 | CO4893 |
| 20 | CO4891 |
| 21 | CO4892 |
| 22 | CO5761 |
| 24 | CO6802 |
| 24 | CO6803 |
| 26 | CO4894 |
| 27 | CO4904 |
| 28 | SL3550 |
| 29 | CO0493 |
| 30 | CO5762 |
| 31 | CO4903 |



SPARE PARTS TAVOLA RICAMBI

FRY1LM-1RM-2LM-2LRM

| SPEC. | N. | CODE | DENOMINAZIONE - DENOMINATION |
|-----------------------------------|------|--------|--|
| (FRY1RM) grooved | 1 | CO0358 | Surface - Piano |
| (FRY1LM) smooth | 1 | CO0360 | Surface - Piano |
| (FRY2LM) smooth | 1 | CO0361 | Surface - Piano |
| (FRY2LRM) smooth-grooved | 1 | CO0362 | Surface - Piano |
| (FRY1LMC) smooth chromium-plated | 1 | CO6494 | Surface - Piano |
| (FRY2LMC) smooth chromium-plated | 1 | CO6496 | Surface - Piano |
| (FRY2LRMC)smooth-grooved chromium | 1 | CO6497 | Surface - Piano |
| (FRY1RMC)grooved chromium-plated | 1 | CO6498 | Surface - Piano |
| | * 4 | CO4900 | Gas burner - Bruciatore gas |
| | 8 | CO4896 | Ignition plug - Candela |
| | 9 | CO4895 | Cable - Cavo |
| ø0,77 (50mbar) | * 10 | CO4897 | LPG injector - Iniettore GPL |
| ø0,93 (28÷30mbar) | * 10 | CO4898 | LPG injector - Iniettore GPL |
| ø1,35 (20mbar) | * 10 | CO4899 | Methane injector - Iniettore metano |
| | 11 | CO0884 | Nipple - Raccordo |
| (FRY1LM/RM/LMC/RMC) | 15 | CO6464 | Pipe - Tubo |
| (FRY2LM/LRM/LMC/LRMC) | 15 | CO6465 | Pipe - Tubo |
| (FRY1LM/RM/LMC/LRMC) | 16 | CO0679 | Cover - Coperchio |
| (FRY2) | 16 | CO0680 | Cover - Coperchio |
| | * 17 | CO4893 | Thermocouple - Termocoppia |
| | 20 | CO4891 | Gas cock - Rubinetto gas |
| | 21 | CO4892 | Pivot - Perno |
| (FRY2) | 22 | CO5761 | Housing - Carcassa |
| (FRY1) | 24 | CO6802 | Panel - Pannello |
| (FRY2) | 24 | CO6803 | Panel - Pannello |
| | 26 | CO4894 | Piezoelectric igniter - Accenditore piezoelettrico |
| | 27 | CO4904 | Locking ring - Ghiera |
| | 28 | SL3550 | Knob - Pomello |
| | 29 | CO0493 | Tray - Cassetto |
| (FRY2) | 30 | CO5762 | Bottom - Fondo |
| | 31 | CO4903 | Foot - Piedino |

*Ricambio consigliato - Advised spare parts