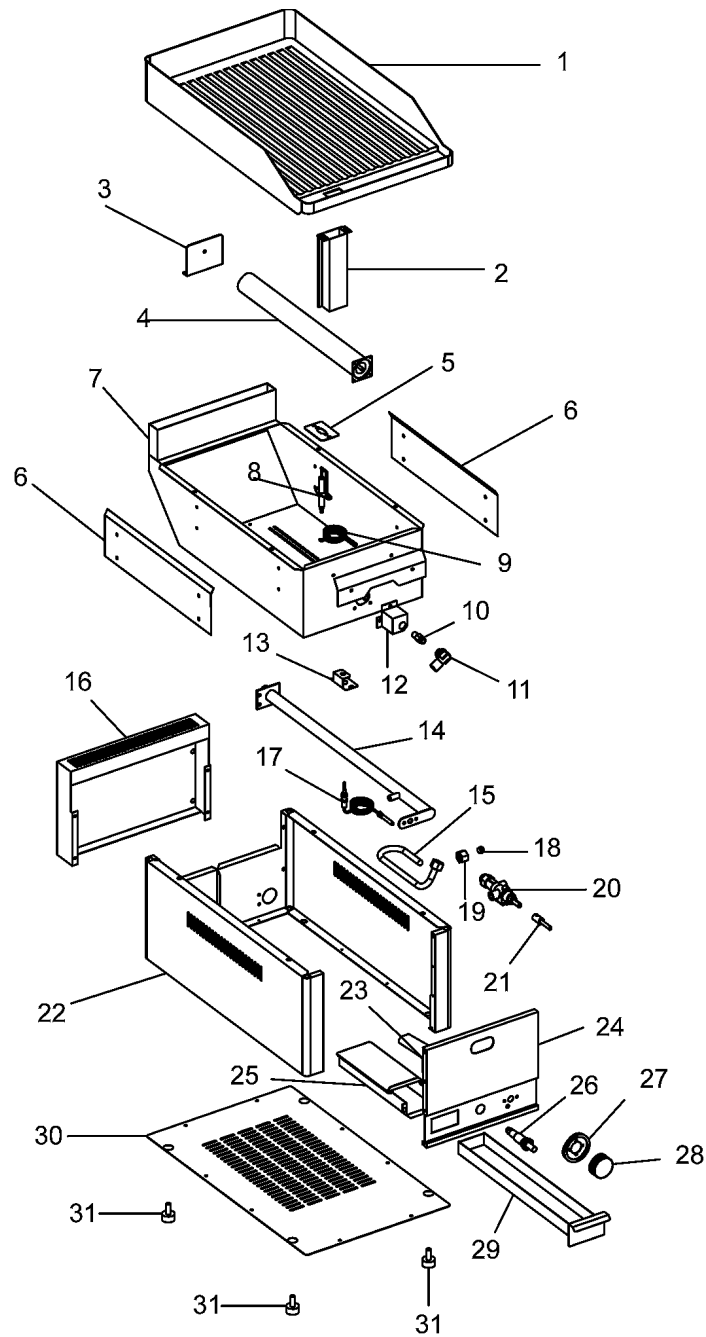


EXPLOSIONSZEICHNUNG



KBS Gastrotechnik GmbH – Schoßbergstraße 26 – 65201 Wiesbaden



POS. CODE

1	CO0358
1	CO0360
1	CO0361
1	CO0362
1	CO6494
1	CO6496
1	CO6497
1	CO6498
4	CO4900
8	CO4896
9	CO4895
10	CO4897
10	CO4898
10	CO4899
11	CO0884
15	CO6464
15	CO6465
16	CO0679
16	CO0680
17	CO4893
20	CO4891
21	CO4892
22	CO5761
24	CO6802
24	CO6803
26	CO4894
27	CO4904
28	SL3550
29	CO0493
30	CO5762
31	CO4903



SPARE PARTS TAVOLA RICAMBI

FRY1LM-1RM-2LM-2LRM

SPEC.	N.	CODE	DENOMINAZIONE - DENOMINATION
(FRY1RM) grooved	1	CO0358	Surface - Piano
(FRY1LM) smooth	1	CO0360	Surface - Piano
(FRY2LM) smooth	1	CO0361	Surface - Piano
(FRY2LRM) smooth-grooved	1	CO0362	Surface - Piano
(FRY1LMC) smooth chromium-plated	1	CO6494	Surface - Piano
(FRY2LMC) smooth chromium-plated	1	CO6496	Surface - Piano
(FRY2LRMC)smooth-grooved chromium	1	CO6497	Surface - Piano
(FRY1RMC)grooved chromium-plated	1	CO6498	Surface - Piano
	* 4	CO4900	Gas burner - Bruciatore gas
	8	CO4896	Ignition plug - Candela
	9	CO4895	Cable - Cavo
ø0,77 (50mbar)	* 10	CO4897	LPG injector - Iniettore GPL
ø0,93 (28÷30mbar)	* 10	CO4898	LPG injector - Iniettore GPL
ø1,35 (20mbar)	* 10	CO4899	Methane injector - Iniettore metano
	11	CO0884	Nipple - Raccordo
(FRY1LM/RM/LMC/RMC)	15	CO6464	Pipe - Tubo
(FRY2LM/LRM/LMC/LRMC)	15	CO6465	Pipe - Tubo
(FRY1LM/RM/LMC/LRMC)	16	CO0679	Cover - Coperchio
(FRY2)	16	CO0680	Cover - Coperchio
	* 17	CO4893	Thermocouple - Termocoppia
	20	CO4891	Gas cock - Rubinetto gas
	21	CO4892	Pivot - Perno
(FRY2)	22	CO5761	Housing - Carcassa
(FRY1)	24	CO6802	Panel - Pannello
(FRY2)	24	CO6803	Panel - Pannello
	26	CO4894	Piezoelectric igniter - Accenditore piezoelettrico
	27	CO4904	Locking ring - Ghiera
	28	SL3550	Knob - Pomello
	29	CO0493	Tray - Cassetto
(FRY2)	30	CO5762	Bottom - Fondo
	31	CO4903	Foot - Piedino

*Ricambio consigliato - Advised spare parts