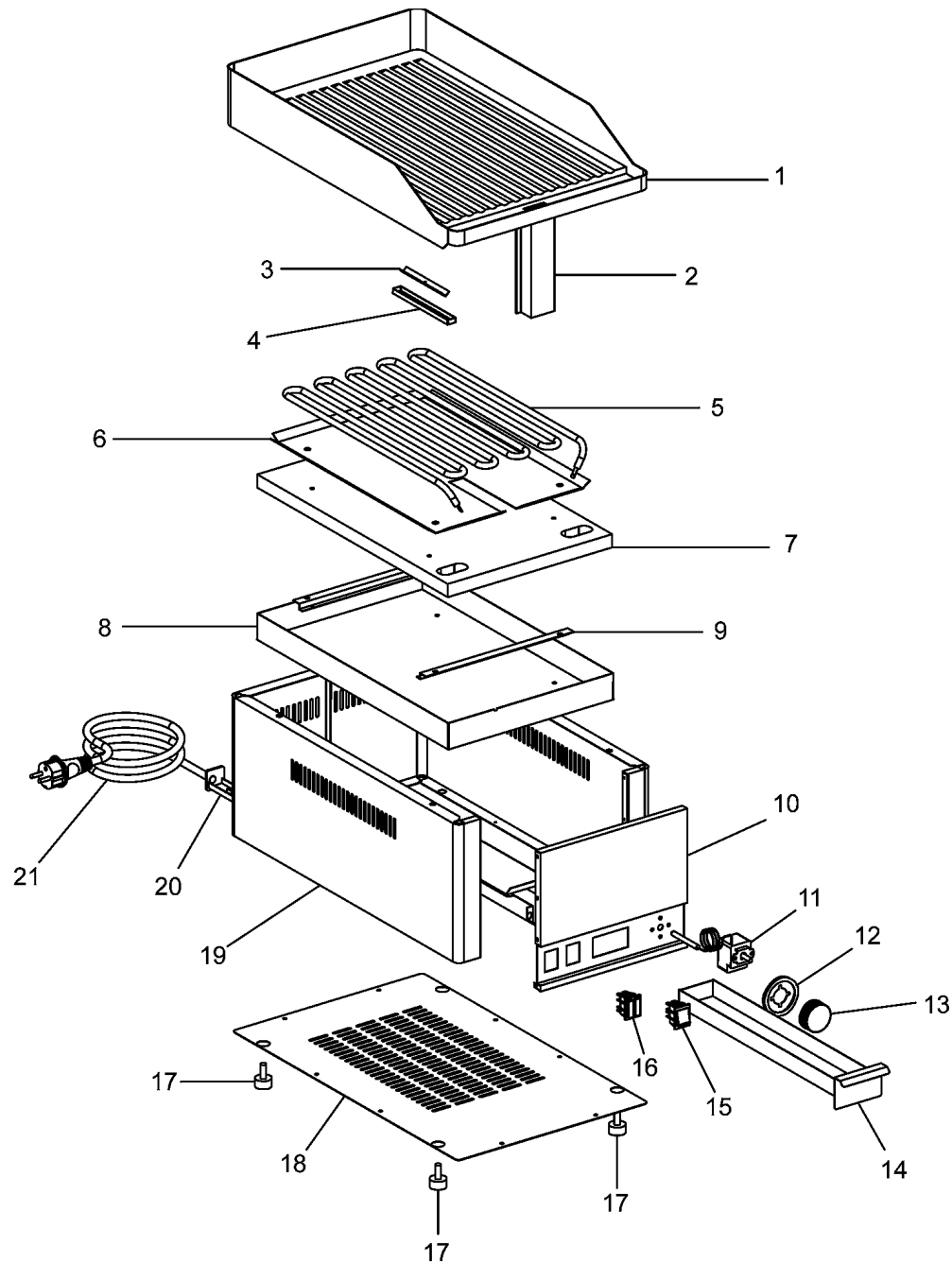


EXPLOSIONSZEICHNUNG



KBS Gastrotechnik GmbH – Schoßbergstraße 26 – 65201 Wiesbaden



POS. CODE

1	CO0353
1	CO0355
1	CO0356
1	CO0357
1	CO6490
1	CO6491
1	CO6492
1	CO6493
3	CO0880
3	CO0881
4	CO0882
5	CO0864
5	CO4902
10	CO6417
10	CO7167
11	CO4883
12	CO4904
13	SL3550
14	CO0883
15	SA1097
16	SL3323
17	CO4903
18	CO7168
18	CO7169
19	CO8387
20	CO0878
21	CO0876



**SPARE PARTS
TAVOLA RICAMBI**

FRY1L-1R-2L-2LR



SPARE PARTS TAVOLA RICAMBI

FRY1L-1R-2L-2LR

SPEC.	N.	CODE	DENOMINAZIONE - DENOMINATION
(FRY1R) grooved	1	CO0353	Surface - Piano
(FRY1L) smooth	1	CO0355	Surface - Piano
(FRY2L) smooth	1	CO0356	Surface - Piano
(FRY2LR) smooth-grooved	1	CO0357	Surface - Piano
(FRY1RC) grooved chromium-plated	1	CO6490	Surface - Piano
(FRY1L) smooth chromium-plated	1	CO6491	Surface - Piano
(FRY2LC) smooth chromium-plated	1	CO6492	Surface - Piano
(FRY2LRC)smooth-grooved chromium	1	CO6493	Surface - Piano
smooth	3	CO0880	Bracket - Staffa
grooved	3	CO0881	Bracket - Staffa
	4	CO0882	Plate - Piastra
230V/1Ph/50-60Hz	5	CO0864	Resistance - Resistenza
12/05/09 f.p.(*)	5	CO4902	Resistance - Resistenza
(FRY1L/R/LC/RC)	10	CO6417	Panel - Pannello
(FRY2L/R/LC/RC)	10	CO7167	Panel - Pannello
	* 11	CO4883	Thermostat - Termostato
	12	CO4904	Locking ring - Ghiera
	13	SL3550	Knob - Pomello
	14	CO0883	Bowl - Vaschetta
	* 15	SA1097	Switch - Interruttore
	* 16	SL3323	Lamp - Lampada
	17	CO4903	Foot - Piedino
(FRY1L/R/LC/RC)	18	CO7168	Bottom - Fondo
(FRY2L/R/LC/RC)	18	CO7169	Bottom - Fondo
(FRY1L/R/LC/RC)	19	CO8387	Housing - Carcassa
	20	CO0878	Cable clamp - Pressacavo
1Ph+N+Gnd	21	CO0876	Electric cable - Cavo elettrico

*Ricambio consigliato - Advised spare parts