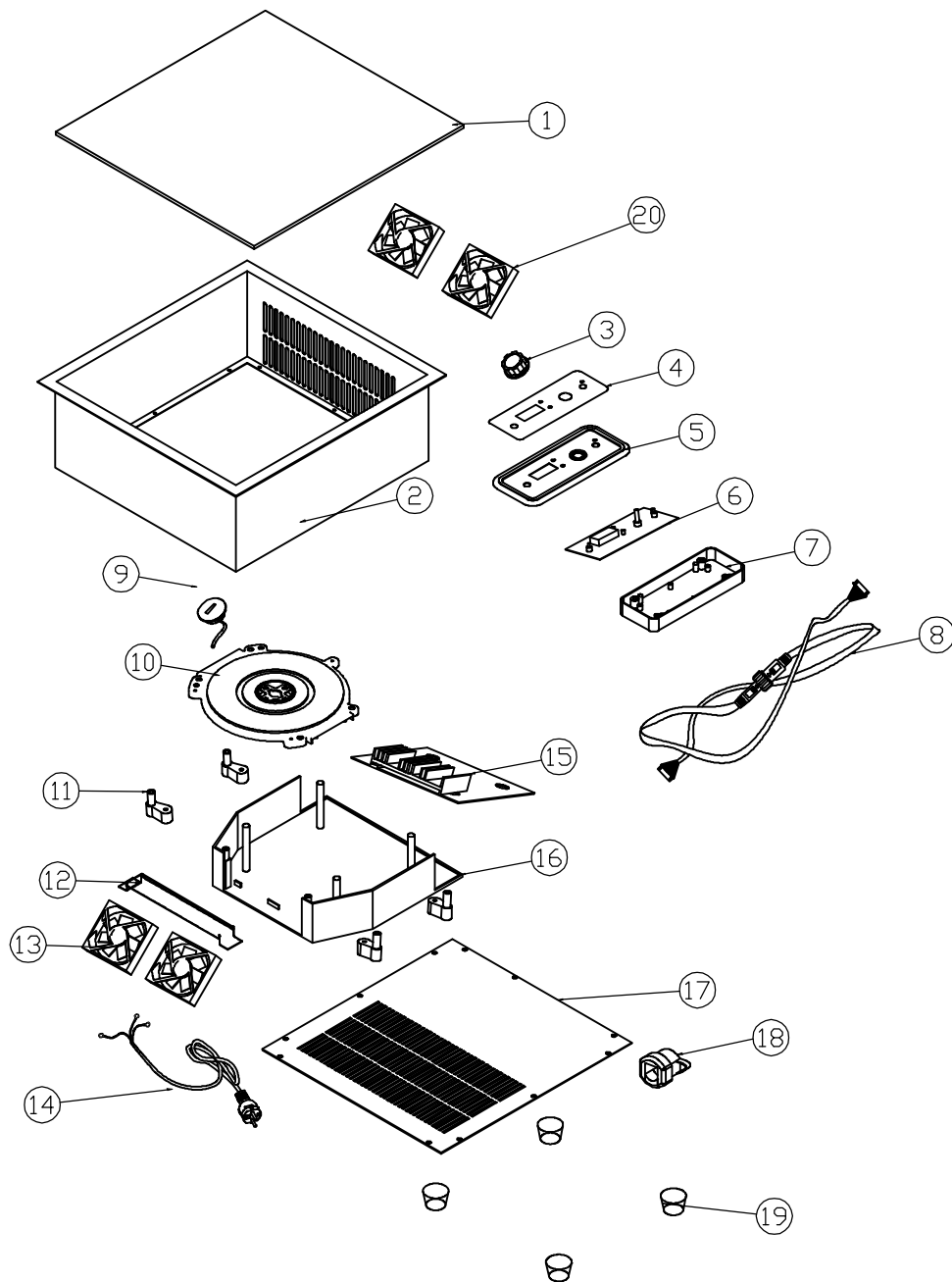


# EXPLOSIONSZEICHNUNG



KBS Gastrotechnik GmbH – Schoßbergstraße 26 – 65201 Wiesbaden



1. Schott glass
2. Outer body
3. Knob
4. Control part glass
5. Control box top cover
6. Control panel
7. Control box body
8. Connecting line
9. Sensor
10. Heating coil
11. Heating coil support pillar
12. Fan fixture
13. Fan
14. Power cord
15. Mainboard
16. Insulating plastic
17. Bottom plate
18. Power cord buckle
19. Rubber feet
20. Fan 8025