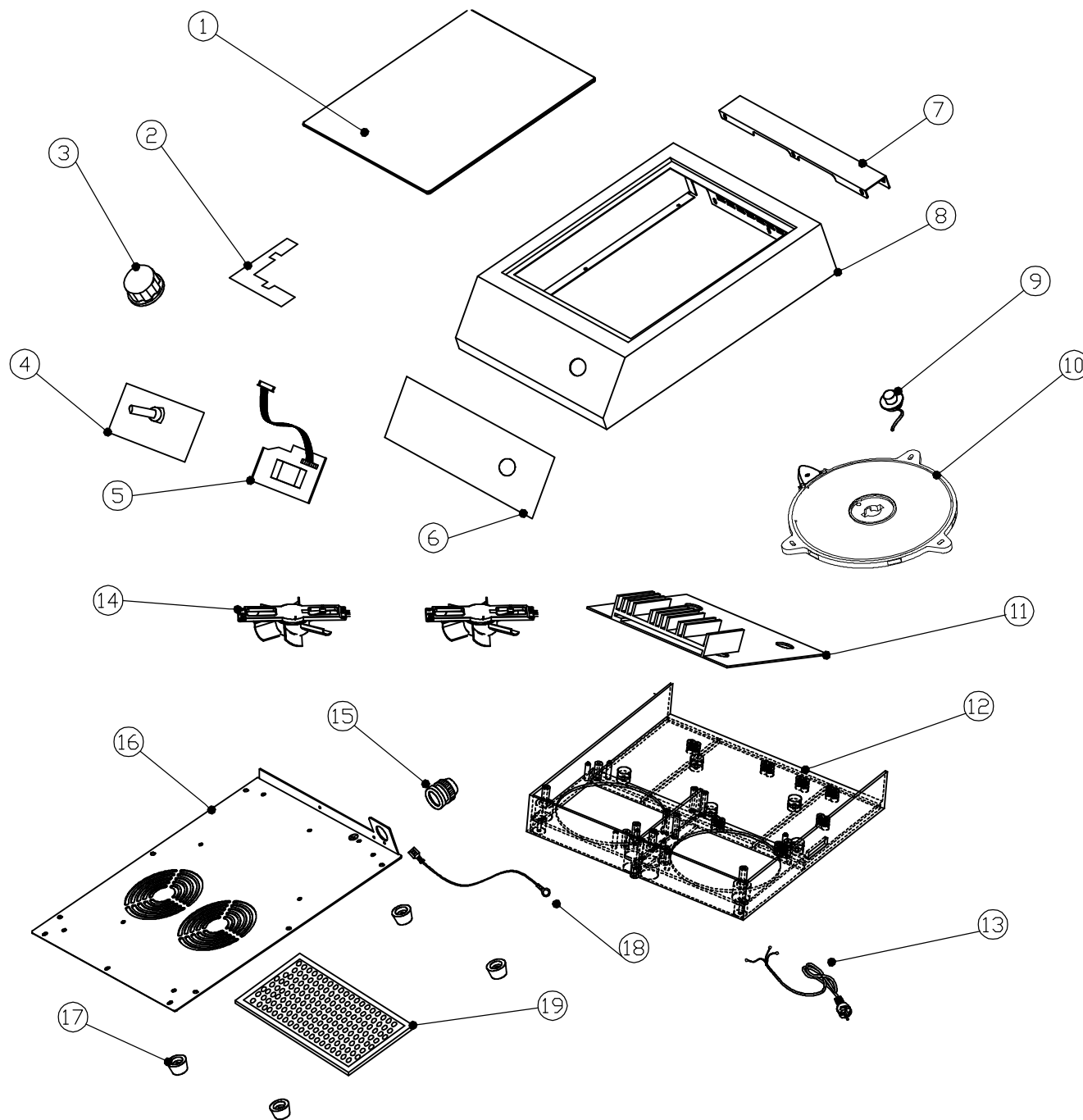


EXPLOSIONSZEICHNUNG



KBS Gastrotechnik GmbH – Schoßbergstraße 26 – 65201 Wiesbaden



1. Schott glass
2. Control part insulating sticker
3. Knob
4. Knob control panel
5. Display control panel
6. Sticker
7. Anticollision strip
8. Outer body
9. Sensor
10. Heating coil
11. Mainboard
12. Insulating plastic
13. Power cord
14. Fan
15. Power cord buckle
16. Bottom plate
17. Rubber feet
18. Earth wire
19. Filter