

SCHALTPLAN



KBS Gastrotechnik GmbH – Schoßbergstraße 26 – 65201 Wiesbaden


Type : NEWI 14-75 JK
Voltage : 380V 2PNE
Frequency : 50/60Hz
Power Consumption: 10kW
Gas Consumption :
Current : 23A

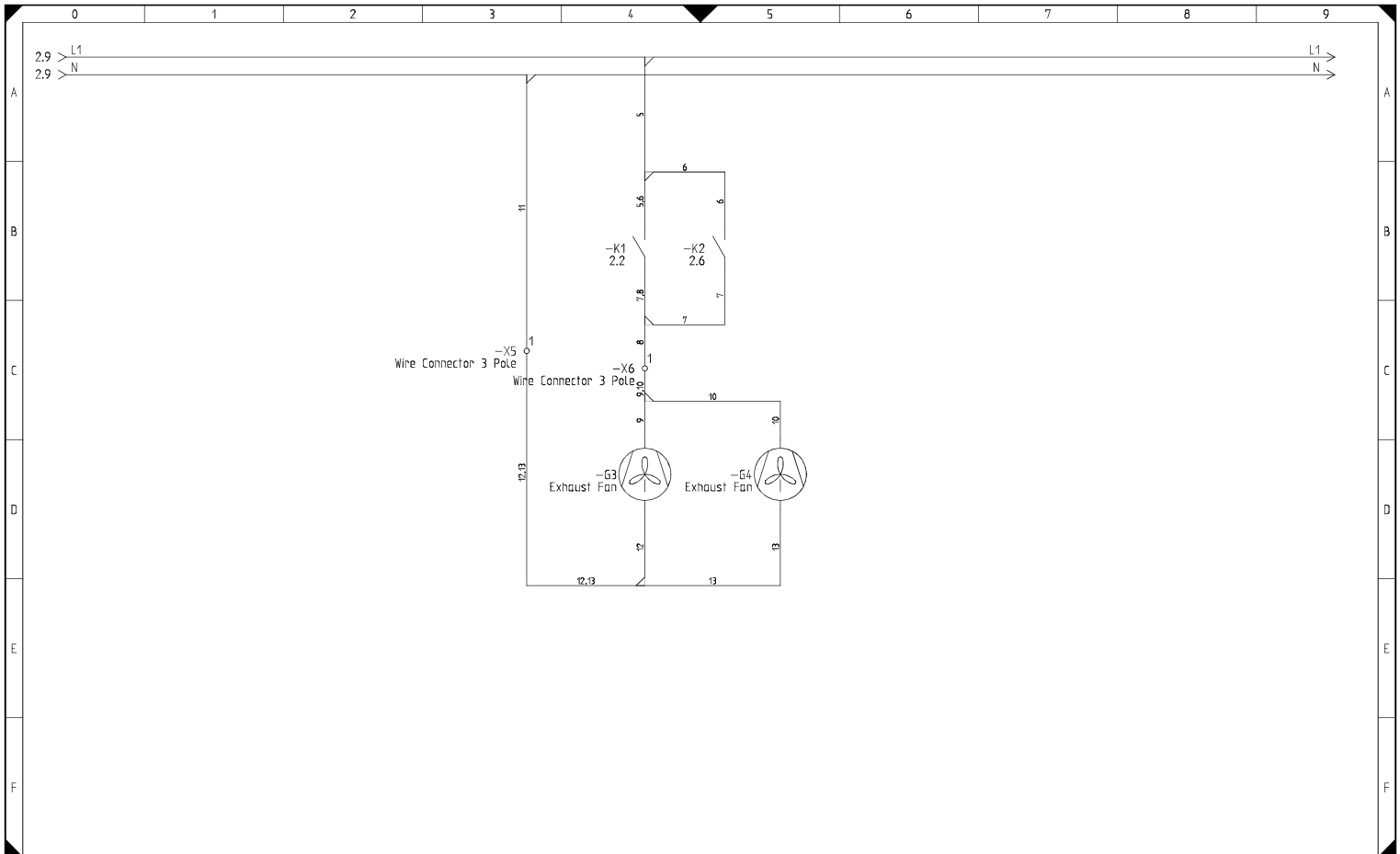
electrical documentation


Telp.+62 24 6580 573

Fax.+62 24 6580 573

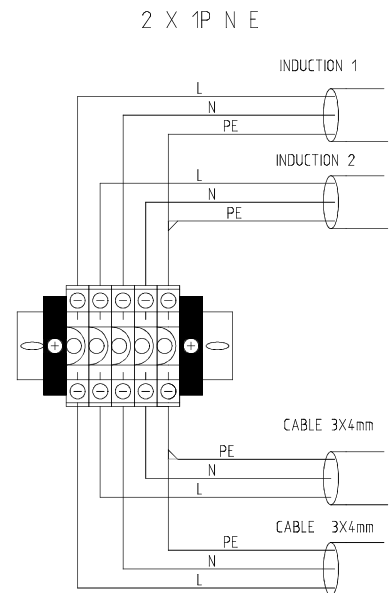
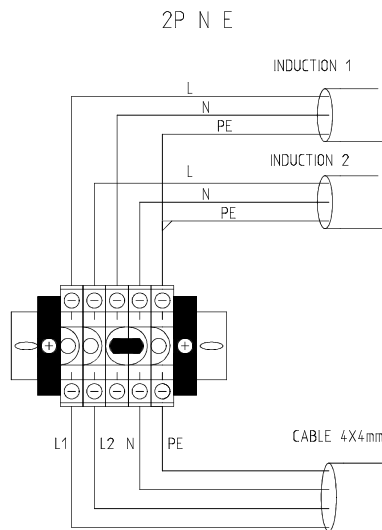
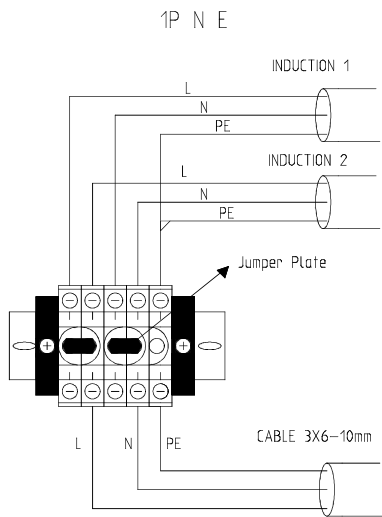
nayati@nayati.com

	PT.NAYATI INDONESIA Jl.Raya Terboyo No.19 Kawasan Industri Terboyo Megah Semarang 50112	NEWI 14-75 JK			Drawing Nr.	Created Date	Project:		Page
		380V 2PNE	10kW	23A	1027	8/13/2022	Electric		1
		50/60Hz			Rev Nr.	Rev Date	Drawn	All Page	Next Page
							KRIST	4	2



	PT.NAYATI INDONESIA Jl.Raya Terboyo No.19 Kawasan Industri Terboyo Megah Semarang 50112	NEWI 14-75 JK			Drawing Nr.	Created Date	Project:		Page
		380V 2PNE	10kW	23A	1027	8/13/2022	Electric		3
		50/60Hz				Rev Nr.	Rev Date	Drawn	All Page
							KRIST	4	4

POWER CABLE
INSTALLATION



PT. NAYATI INDONESIA
 Jl. Raya Terboyo No.19
 Kawasan Industri Terboyo Megah
 Semarang 50112

NEWI 14-75 JK		
380V 2PNE	10kW	23A
50/60Hz		

Drawing Nr.	1027
Rev Nr.	


Created Date	8/13/2022
Rev Date	

Project:	Electric
Drawn	KRIST

Page	4
Next Page	4

List of Products

Product	Type	Description	Document type	Sheet	Path
-E1	JK-JXDP3030-5K	Induction	Circuit diagrams	2	1
-R1		Coil sensor	Circuit diagrams	2	1
-R2		Glass sensor	Circuit diagrams	2	1
-K1	LY2N		Circuit diagrams	2	2
-F1		Fuse	Circuit diagrams	2	3
-G1		Coil Fan	Circuit diagrams	2	3
-L1		Coil	Circuit diagrams	2	3
-E2	JK-JXDP3030-5K	Induction	Circuit diagrams	2	5
-R3		Coil sensor	Circuit diagrams	2	5
-R4		Glass sensor	Circuit diagrams	2	5
-K2	LY2N		Circuit diagrams	2	6
-F2		Fuse	Circuit diagrams	2	7
-G2		Coil Fan	Circuit diagrams	2	7
-L2		Coil	Circuit diagrams	2	7
-G3	Fan	Exhaust Fan	Circuit diagrams	3	4
-G4	Fan	Exhaust Fan	Circuit diagrams	3	5
-END1			Circuit diagrams	4	1
-T1			Circuit diagrams	4	1
-T2			Circuit diagrams	4	1
-T3			Circuit diagrams	4	1
-T4			Circuit diagrams	4	1
-END2			Circuit diagrams	4	2
-TG1			Circuit diagrams	4	2
-END3			Circuit diagrams	4	4
-T5			Circuit diagrams	4	4
-T6			Circuit diagrams	4	4
-T7			Circuit diagrams	4	4
-T8			Circuit diagrams	4	4
-END4			Circuit diagrams	4	5
-TG2			Circuit diagrams	4	5

	PT.NAYATI INDONESIA Jl.Raya Terboyo No.19 Kawasan Industri Terboyo Megah Semarang 50112	NEWI 14-75 JK			Drawing Nr.	Created Date	Project:		Page
		380V 2PNE	10kW	23A	1027	8/13/2022	Electric		1
		50/60Hz			Rev Nr.	Rev Date	Drawn	All Page	Next Page
							KRIST	2	2

