

EXPLOSIONSZEICHNUNG



KBS Gastrotechnik GmbH – Schoßbergstraße 26 – 65201 Wiesbaden

3.4 Ersatzteil-Listen



3.4.1 NEWI 7-75 JK

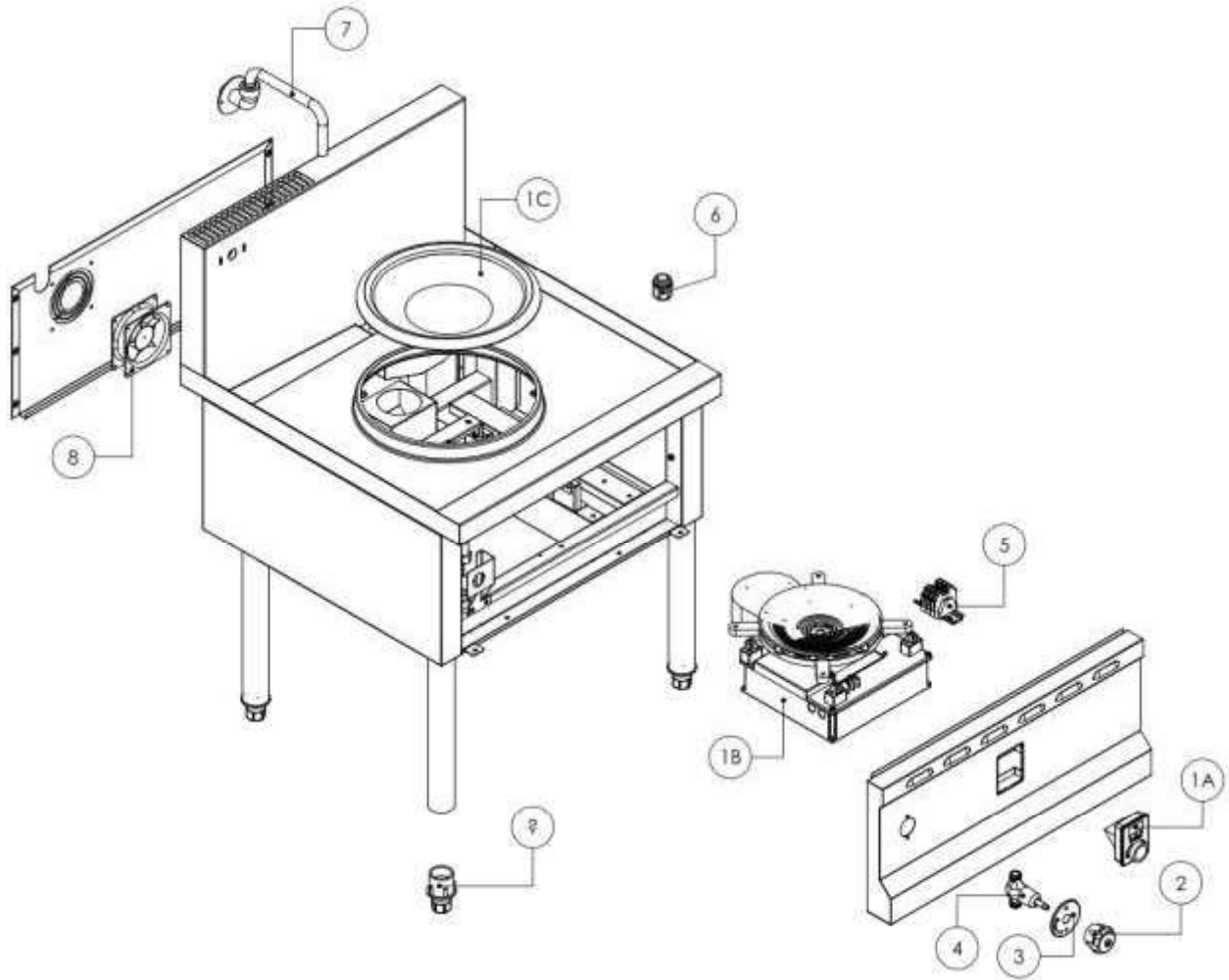


Abb.4

Tabelle 2:

NO	CODE	BAUTEIL	ANZ.
1	PD.4290FE	Induction Engine (Wok)	1
1A		Ceran Glass + Ring	1
1B		Induction Engine + Coil Assembly System	1
1C		Knob Controlling System	1
2	PD.2458A2	Water Tap Head	1
3	GS.405A-1	Ring Label Faucet	1
4	GS.2305D	Faucet Stop Tap	1
5	PD.CS202	WT End Bracket	2
	PD.2248G	Terminal Block with Screw	1
	PD.2248H	Terminal Block with Screw	1
	PD.2248I	Terminal Block with Screw	1
6	PD.CS112	Cable Gland	1
7	GS.2587A	Faucet	1
8	PD.423C1	Electric Motor Fan	1
9	GS.3603A	Adjustable Leg	4