

SCHALTPLAN



KBS Gastrotechnik GmbH – Schoßbergstraße 26 – 65201 Wiesbaden

SCHEMA EL. FRY-TOP

DIS.N. CR0584570

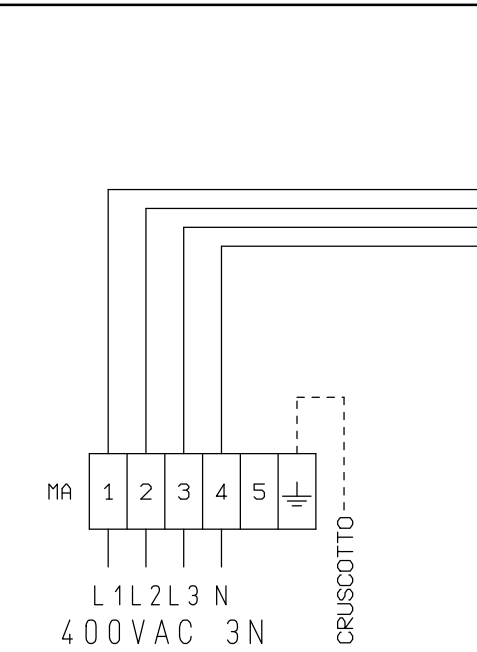
DATA 04.05.07

MOD. -

DESCRIZIONE MODIFICA	DATA	FIRMA	MOD.
AGGIUNTA MODELLI 700	22.05.09	NARDINI	-
AGGIUNTA MODELLI 700 SILKO	30.11.09	NARDINI	-
AGGIUNTA MODELLI 700 ECONOMICI	26.02.10	NARDINI	-
AGGIUNTI OL E BA	08.04.14	NARDINI	-

DESCRIZIONE MODIFICA	DATA	FIRMA	MOD.
PRIMA EMISSIONE	04.05.07	NARDINI	-
SOSTITUITO B1 DA M710300 A CR0686110	31.07.08	NARDINI	-
AGGIUNTO MODELLO NFT96E	26.09.08	NARDINI	-
AGGIUNTA MODELLI SILKO	03.02.09	NARDINI	-

DESCRIZIONE MODIFICA	DATA	FIRMA	MOD.
AGGIUNTA MODELLI 700	22.05.09	NARDINI	-
AGGIUNTA MODELLI 700 SILKO	30.11.09	NARDINI	-
AGGIUNTA MODELLI 700 ECONOMICI	26.02.10	NARDINI	-
AGGIUNTI OL E BA	08.04.14	NARDINI	-

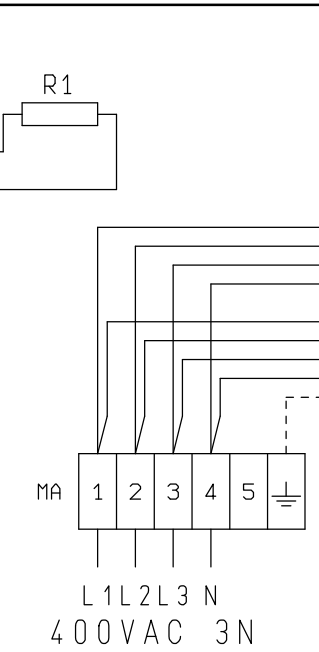
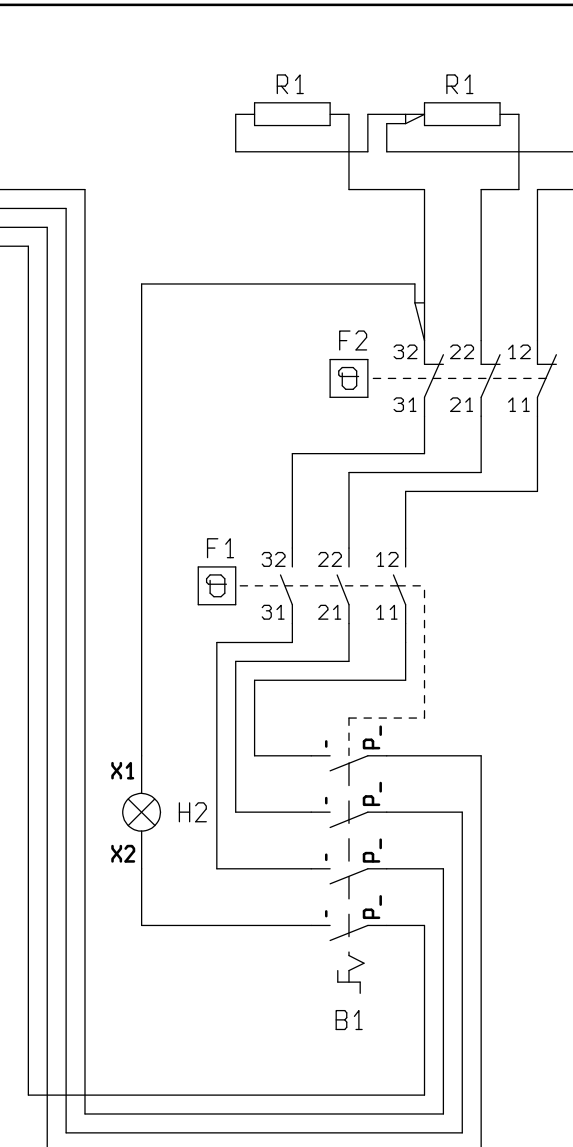


Mod	NFT94E__ EBE92__ 92/10FTE__ 90FT/E4__	NFT96E__ EBE93__ 93/10FTE__ 90FT/E6__
P(KW)	7.5	10.5
I(A)	10.8	15.2
U(V)	400V 3N~	
f(Hz)	50/60	
Cable	5G1.5mm ²	

Mod	NFT74E__ EBE72__ 72/10FTE__	NFT76E__ EBE73__ 73/10FTE__
P(KW)	5.4	7.5
I(A)	7.8	10.8
U(V)	400V 3N~	
f(Hz)	50/60	
Cable	5G1mm ²	5G1.5mm ²

Mod	EFT74E__ BBE72G__ 721FTA E__
P(KW)	3.9
I(A)	5.6
U(V)	400V 3N~
f(Hz)	50/60
Cable	5G1mm ²

B1 INTERRUTTORE
 F1 TERMOSTATO DI LAVORO
 F2 TERMOSTATO DI SICUREZZA
 H2 SPIA ARANCIO
 MA MORSETTIERA ARRIVO LINEA
 R1 RESISTENZA



Mod	NFT98E__ EBE94__ 94/10FTE__ 90FT/E8__
P(KW)	15
I(A)	21.6
U(V)	400V 3N~
f(Hz)	50/60
Cable	5G2.5mm ²

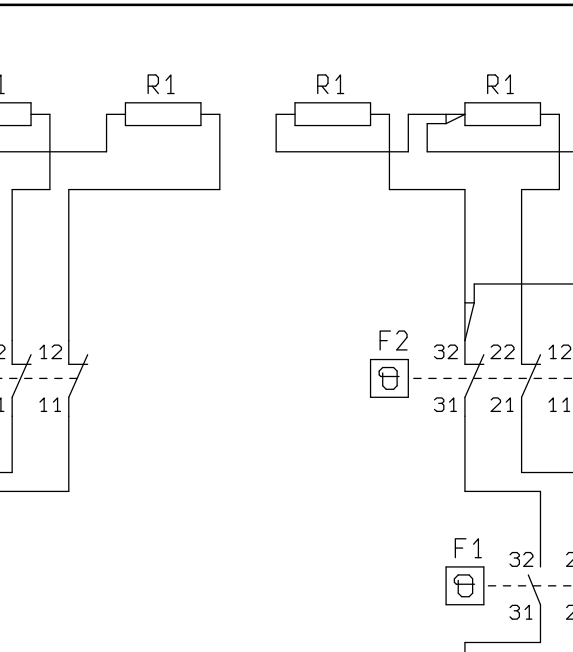
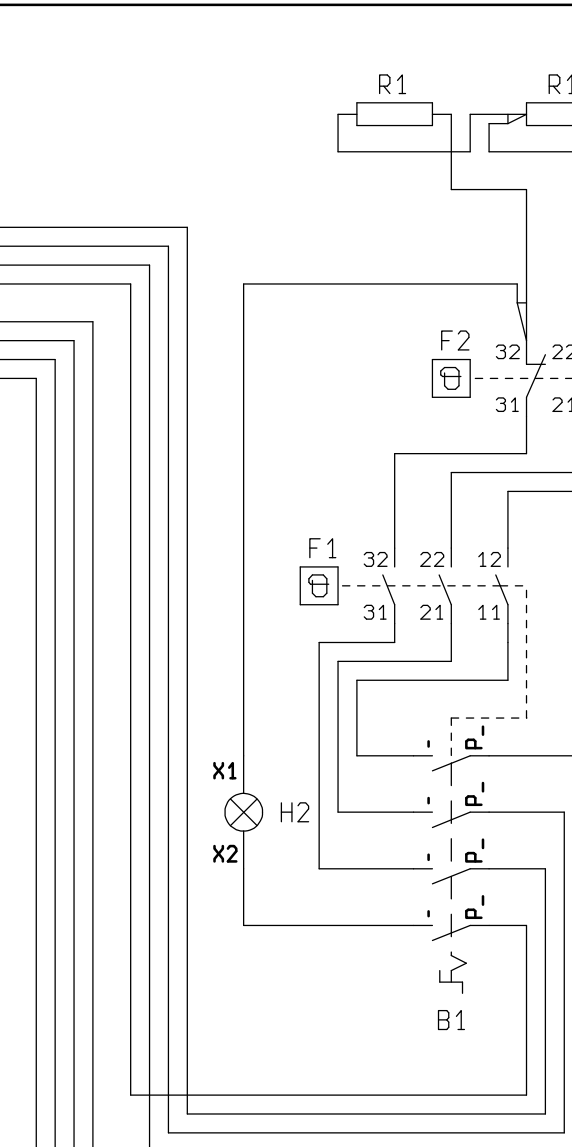
Mod	NFT78E__ EBE74__ 74/10FTE__
P(KW)	10.8
I(A)	15.6
U(V)	400V 3N~
f(Hz)	50/60
Cable	5G1.5mm ²

Mod	EFT78E__ BBE74G__ 741FTA E__
P(KW)	7.8
I(A)	11.2
U(V)	400V 3N~
f(Hz)	50/60
Cable	5G1.5mm ²

INTERRUPTEUR
 THERMOSTAT
 THERMOSTAT DE SICURITE'
 LAMPE ORANGE
 BORNES ARRIVEE LIGNE
 RESISTANCE

CUT-OFF SWITCH
 THERMOSTAT
 SAFETY THERMOSTAT
 ORANGE PILOTLIGHT
 TERMINAL BLOCK
 HEATING ELEMENT

EIN-AUS SCHALTER
 THERMOSTAT
 TEMPERATURBEGRENZER
 ORANGE LAMPE
 ANSCHLUSSKLEMME
 HEIZKORPER



Mod	NFT98E__ EBE94__ 94/10FTE__ 90FT/E8__
P(KW)	15
I(A)	21.6
U(V)	400V 3N~
f(Hz)	50/60
Cable	5G2.5mm ²

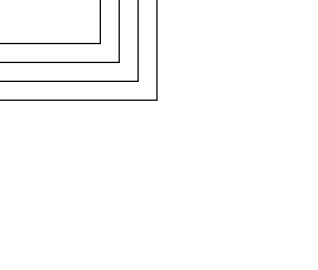
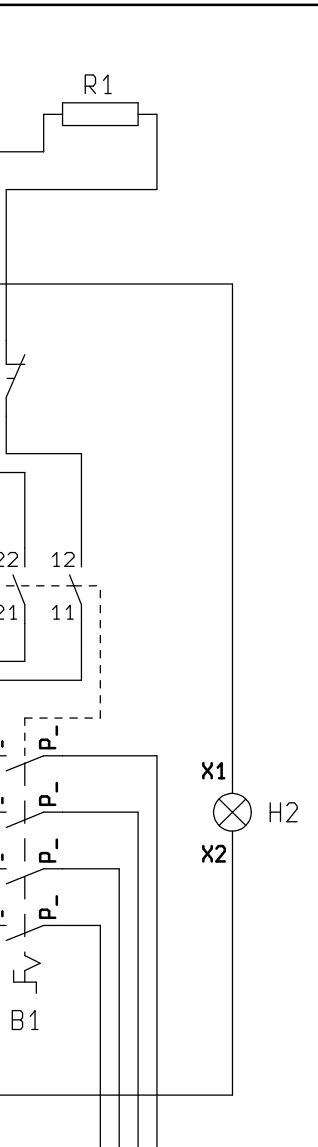
Mod	NFT78E__ EBE74__ 74/10FTE__
P(KW)	10.8
I(A)	15.6
U(V)	400V 3N~
f(Hz)	50/60
Cable	5G1.5mm ²

Mod	EFT78E__ BBE74G__ 741FTA E__
P(KW)	7.8
I(A)	11.2
U(V)	400V 3N~
f(Hz)	50/60
Cable	5G1.5mm ²

INTERRUPTEUR
 THERMOSTAT
 THERMOSTAT DE SICURITE'
 LAMPE ORANGE
 BORNES ARRIVEE LIGNE
 RESISTANCE

CUT-OFF SWITCH
 THERMOSTAT
 SAFETY THERMOSTAT
 ORANGE PILOTLIGHT
 TERMINAL BLOCK
 HEATING ELEMENT

EIN-AUS SCHALTER
 THERMOSTAT
 TEMPERATURBEGRENZER
 ORANGE LAMPE
 ANSCHLUSSKLEMME
 HEIZKORPER



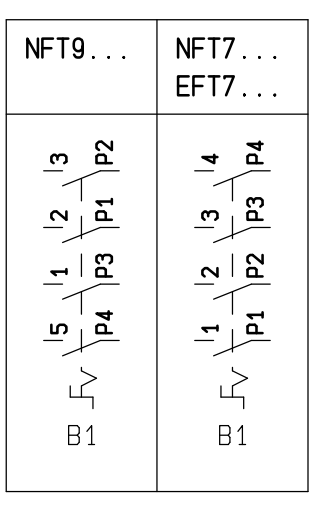
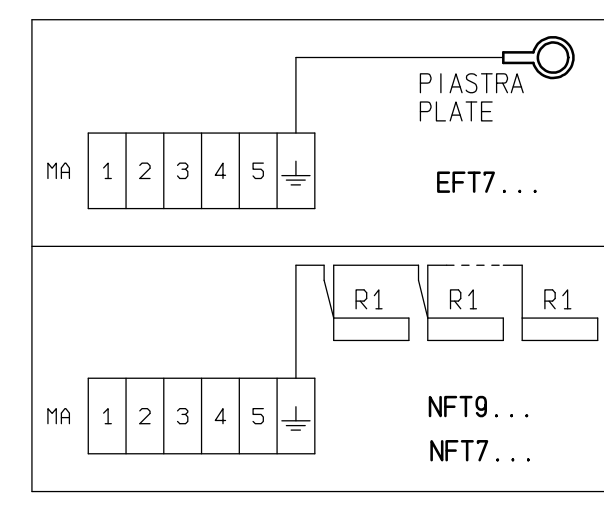
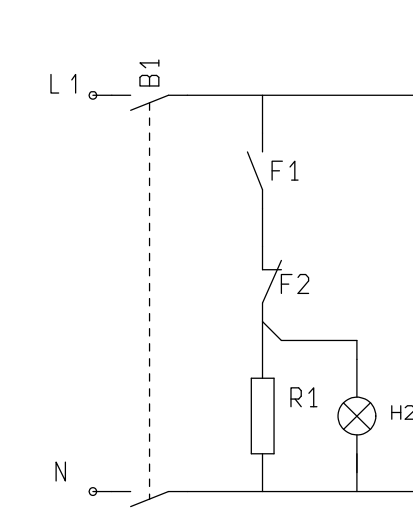
Mod	NFT98E__ EBE94__ 94/10FTE__ 90FT/E8__
P(KW)	15
I(A)	21.6
U(V)	400V 3N~
f(Hz)	50/60
Cable	5G2.5mm ²

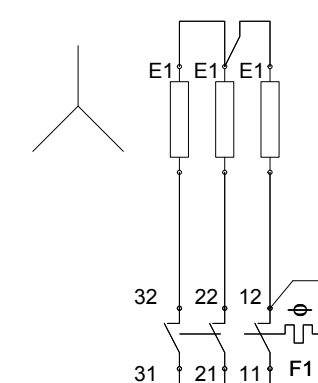
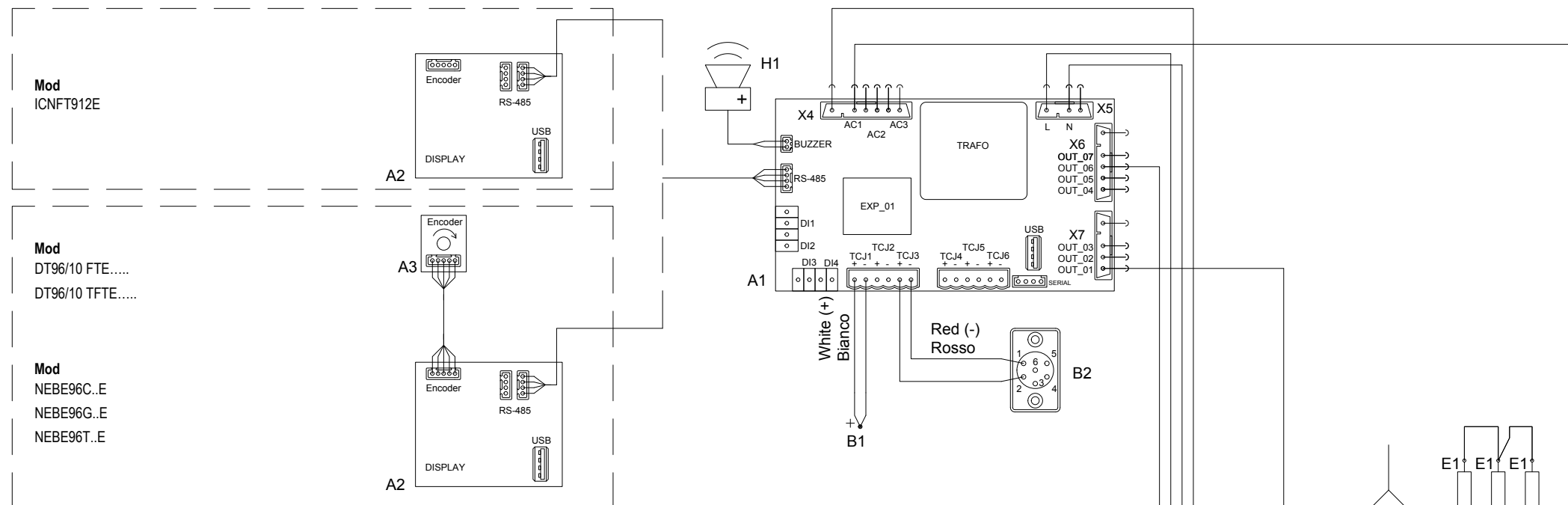
Mod	NFT78E__ EBE74__ 74/10FTE__
P(KW)	10.8
I(A)	15.6
U(V)	400V 3N~
f(Hz)	50/60
Cable	5G1.5mm ²

INTERRUPTEUR
 THERMOSTAT
 THERMOSTAT DE SICURITE'
 LAMPE ORANGE
 BORNES ARRIVEE LIGNE
 RESISTANCE

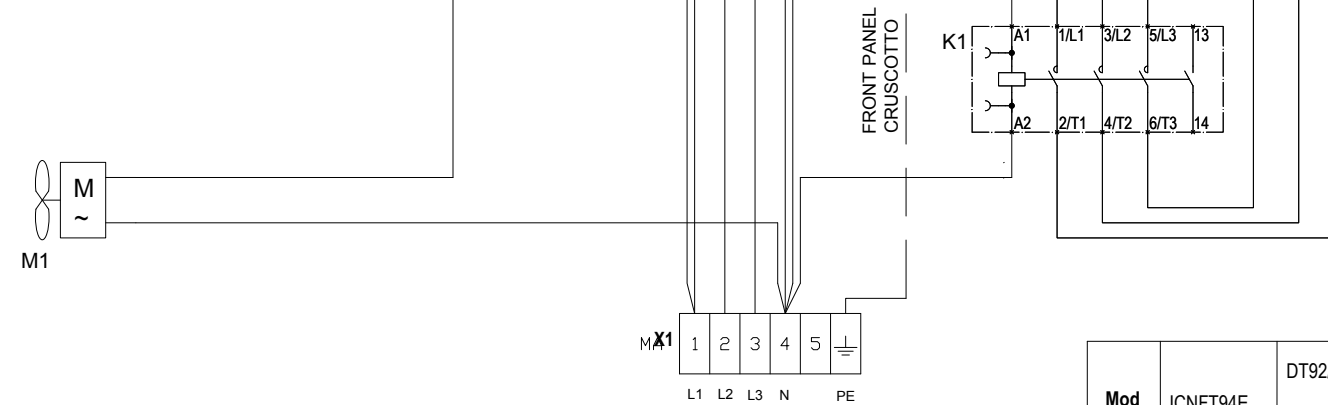
CUT-OFF SWITCH
 THERMOSTAT
 SAFETY THERMOSTAT
 ORANGE PILOTLIGHT
 TERMINAL BLOCK
 HEATING ELEMENT

EIN-AUS SCHALTER
 THERMOSTAT
 TEMPERATURBEGRENZER
 ORANGE LAMPE
 ANSCHLUSSKLEMME
 HEIZKORPER





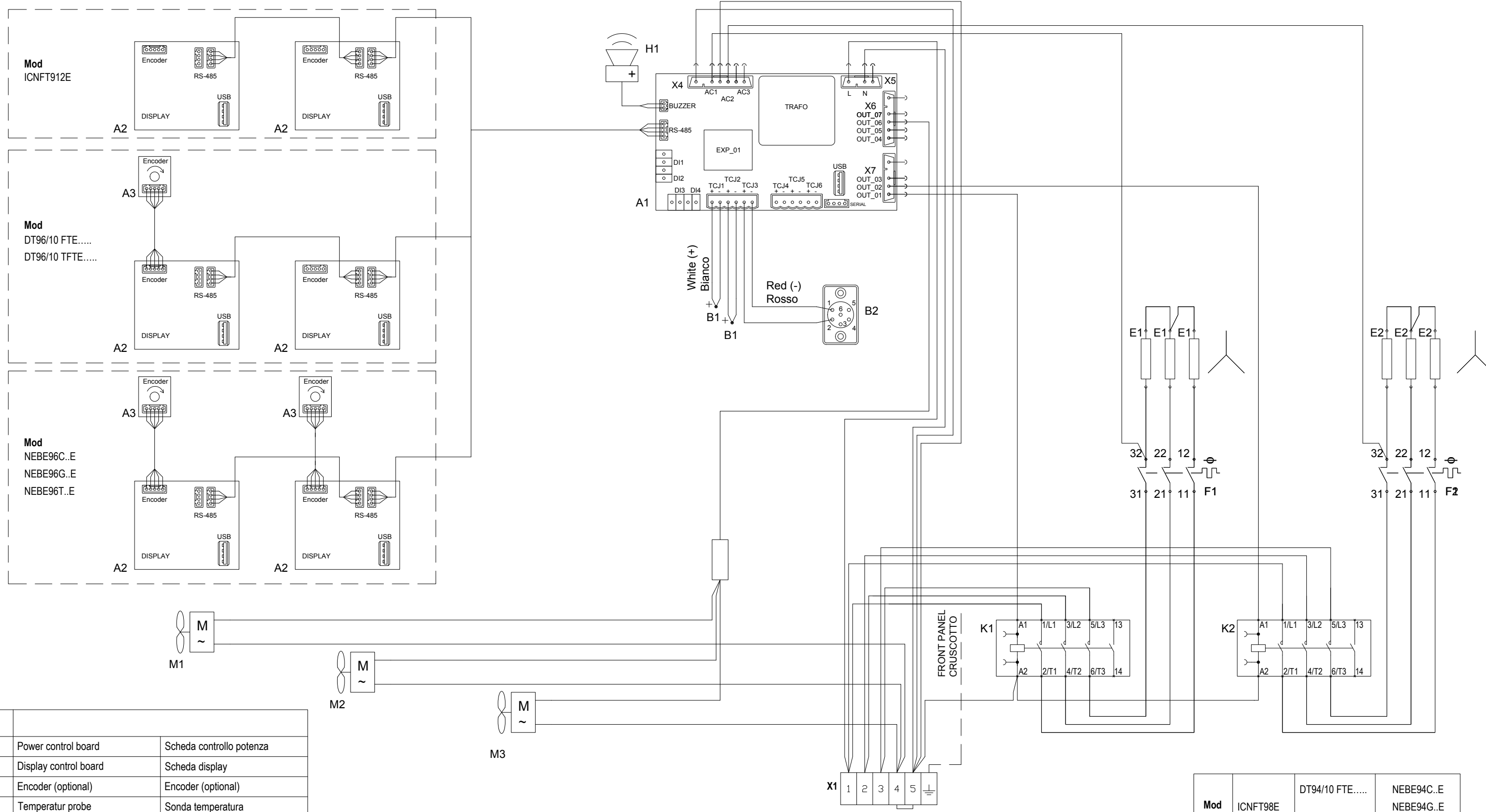
ref		
A1	Power control board	Scheda controllo potenza
A2	Display control board	Scheda display
A3	Encoder (optional)	Encoder (optional)
B1	Temperatur probe	Sonda temperatura
B2	Heart temperatur probe (input)	Sonda al cuore (ingresso)
E1	Heating Element	Resistenza
F1	Safety Thermostat	Termostato di sicurezza
H1	Buzzer	Buzzer
K1..K3	Contactore	Contattore
M1	Fan	Ventilatore
X1	Mains terminal	Terminale arrivolinea



Mod	ICNFT94E	DT92/10 FTE.....	NEBE92C..E	ICNFT96E	DT93/10 FTE.....	NEBE93C..E
		DT92/10 TFTE.....	NEBE92G..E		DT93/10 TFTE.....	NEBE93G..E
P(kW)		7,5			10,5	
I(A)		10,8			15,6	
U(V)		380-415V 3N~				
f(Hz)		50-60				
Cable		5G1,5mm²			5G1,5mm²	

Code	CR1223440		Drawing Description	SCHEMA ELE.FRYTOP ELETTRONICO 900 M40/60		Rev.	00
Author	NARDINI		Document Type	SCHEMA ELETTRICO		Document Status	Description
Date	03/05/2016				This document is exclusive property of ALI S.p.A. and should not be distributed, reproduced, into any other format without prior permission of ALI S.p.A. - Specifications subject to change without prior notice -		


Rif	Rev	Description	Date	Author
16037	00	PRIMA EMISSIONE		NARDINI

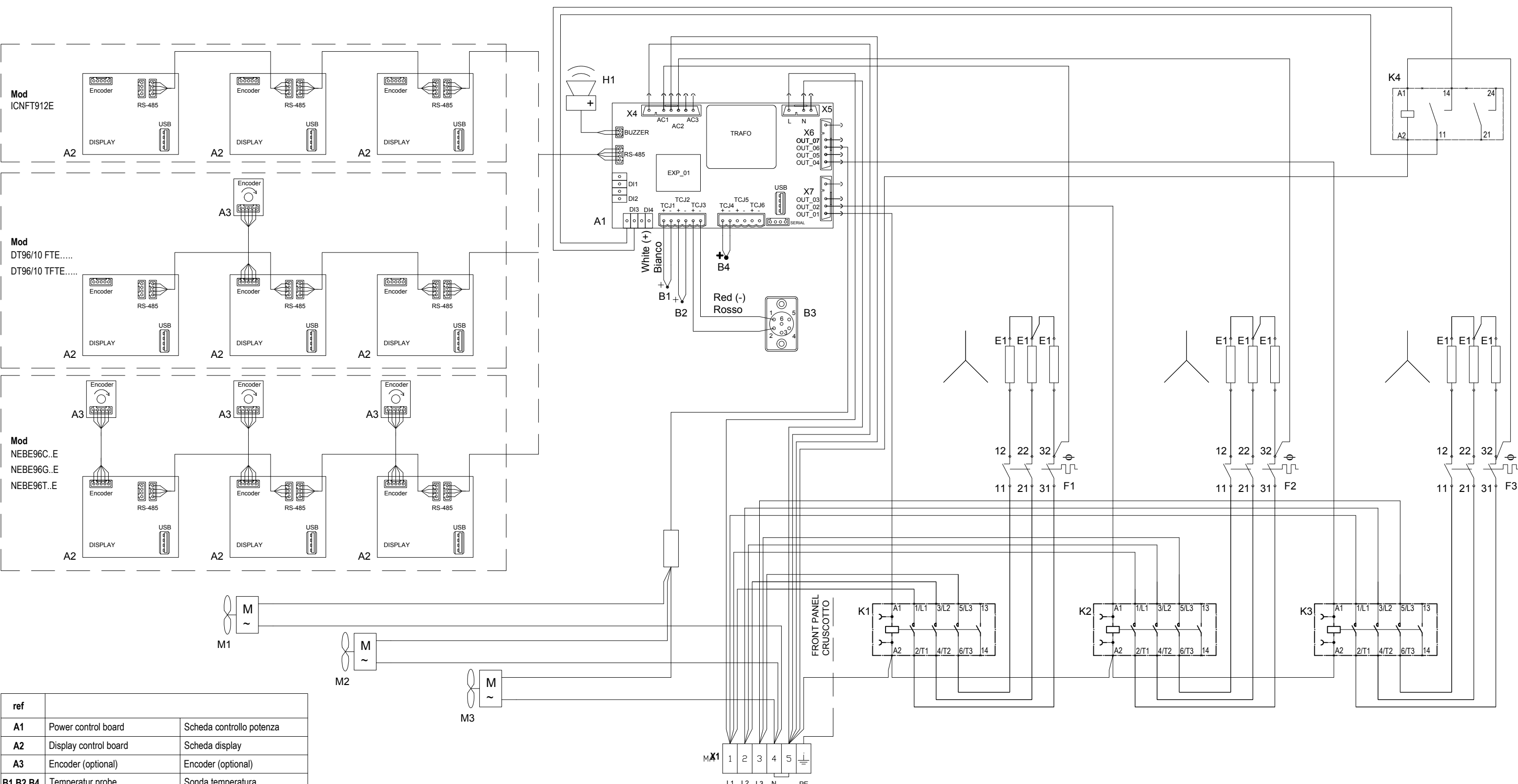


ref		
A1	Power control board	Scheda controllo potenza
A2	Display control board	Scheda display
A3	Encoder (optional)	Encoder (optional)
B1	Temperatur probe	Sonda temperatura
B2	Heart temperatur probe (input)	Sonda al cuore (ingresso)
E1-E2	Heating Element	Resistenza
F1-F2	Safety Thermostat	Termostato di sicurezza
H1	Buzzer	Buzzer
K1..K3	Contactore	Contattore
M1-M3	Fan	Ventilatore
X1	Mains terminal	Terminale arrivolinea

Mod	ICNFT98E	DT94/10 FTE..... DT94/10 TFTE.....	NEBE94C..E NEBE94G..E NEBE94T..E
P(kW)	15		
I(A)	21,6		
U(V)	380-415V 3N~		
f(Hz)	50-60		
Cable	5G2,5mm²		

Rif	Rev	Description	Date	Author
16030	00	PRIMA EMISSIONE	03/05/2016	MARTINI


Code	CR1223450		Drawing Description	SCHEMA ELE.FRYTOP ELETTRONICO 900 M80		Rev.	00
Author	MARTINI		Document Type	SCHEMA ELETTRICO		Document Status	Description
Date	04/10/2016		 This document is exclusive property of ALI S.p.A. and should not be distributed, reproduced, into any other format without prior permission of ALI S.p.A. - Specifications subject to change without prior notice -				



ref		
A1	Power control board	Scheda controllo potenza
A2	Display control board	Scheda display
A3	Encoder (optional)	Encoder (optional)
B1,B2,B4	Temperatur probe	Sonda temperatura
B3	Heart temperatur probe (input)	Sonda al cuore (ingresso)
E1	Heating Element	Resistenza
F1	Safety Thermostat	Termostato di sicurezza
H1	Buzzer	Buzzer
K1..K3	Contactore	Contattore
K4	Relay	Relay
M1	Fan	Ventilatore
X1	Mains terminal	Terminale arrivolinea

Mod	ICNFT912E	DT96/10 FTE..... DT96/10 TFTE.....	NEBE96C..E NEBE96G..E NEBE96T..E
P(kW)	22,5		
I(A)	32,5		
U(V)	380-415V 3N~		
f(Hz)	50-60		
Cable	5G6mm ²		

Rif	Rev	Description	Date	Author
16037	00	PRIMA EMISSIONE	12/10/2016	MARTINI

Code	CR1223460		Drawing Description	SCHEMA ELE.FRYTOP ELETTRONICO 900 M120		Rev.	00
Author	MARTINI		Document Type	SCHEMA ELETTRICO		Document Status	Description
Date	12/10/2016		 This document is exclusive property of ALI S.p.A. and should not be distributed, reproduced, into any other format without prior permission of ALI S.p.A. - Specifications subject to change without prior notice -				