

SCHALTPLAN



KBS Gastrotechnik GmbH – Schoßbergstraße 26 – 65201 Wiesbaden

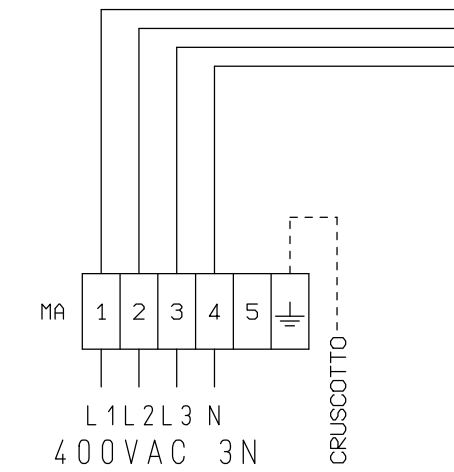
SCHEMA EL. FRY-TOP

DIS.N. CR0584570

DATA 04.05.07

MOD. -

DESCRIZIONE MODIFICA	DATA	22.05.09
	AGGIUNTA MODELLI 700	30.11.09
DESCRIZIONE MODIFICA	DATA	26.02.10
	AGGIUNTA MODELLI 700 ECONOMICI	08.04.14
DESCRIZIONE MODIFICA	PRIMA EMISSIONE	
DESCRIZIONE MODIFICA	SOSTITUITO B1 DA M710300 A CR0686110	
DESCRIZIONE MODIFICA	AGGIUNTO MODELLO NFT96E	
DESCRIZIONE MODIFICA	AGGIUNTA MODELLI SILKO	
MOD.	FIRMA	DATA
-	NARDINI	04.05.07
-	NARDINI	31.07.08
-	NARDINI	26.09.08
-	NARDINI	03.02.09
DISEGNATO DA:	FIRMA	DATA
NARDINI	NARDINI	04.05.07
APPROVATO DA:	FIRMA	DATA
NARDINI	NARDINI	31.07.08
NARDINI	NARDINI	26.09.08
NARDINI	NARDINI	03.02.09

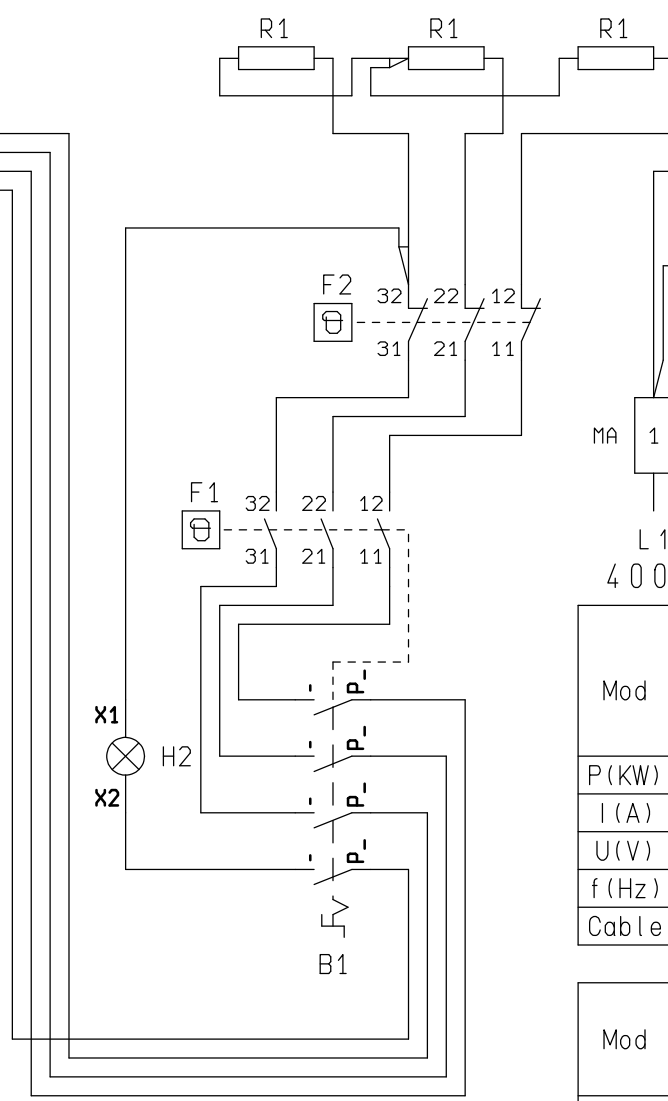


Mod	NFT94E__ EBE92__ 92/10FTE__ 90FT/E4__	NFT96E__ EBE93__ 93/10FTE__ 90FT/E6__
P(KW)	7.5	10.5
I(A)	10.8	15.2
U(V)	400V 3N~	
f(Hz)	50/60	
Cable	5G1.5mm ²	

Mod	NFT74E__ EBE72__ 72/10FTE__	NFT76E__ EBE73__ 73/10FTE__
P(KW)	5.4	7.5
I(A)	7.8	10.8
U(V)	400V 3N~	
f(Hz)	50/60	
Cable	5G1mm ²	5G1.5mm ²

Mod	EFT74E__ BBE72G__ 721FTA E__
P(KW)	3.9
I(A)	5.6
U(V)	400V 3N~
f(Hz)	50/60
Cable	5G1mm ²

B1 INTERRUTTORE
F1 TERMOSTATO DI LAVORO
F2 TERMOSTATO DI SICUREZZA
H2 SPIA ARANCIO
MA MORSETTIERA ARRIVO LINEA
R1 RESISTENZA



Mod	NFT98E__ EBE94__ 94/10FTE__ 90FT/E8__
P(KW)	15
I(A)	21.6
U(V)	400V 3N~
f(Hz)	50/60
Cable	5G2.5mm ²

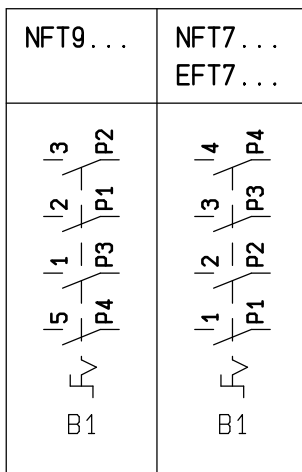
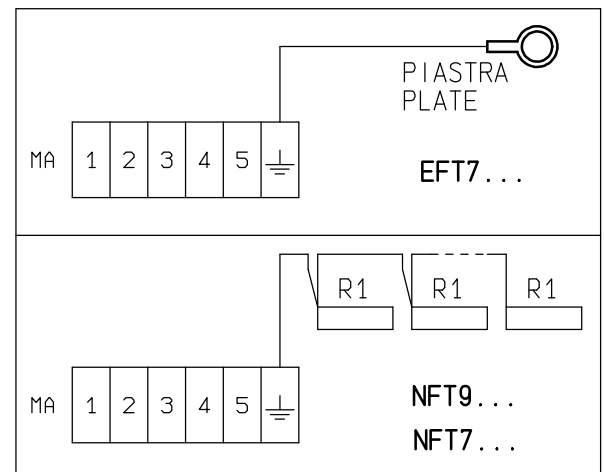
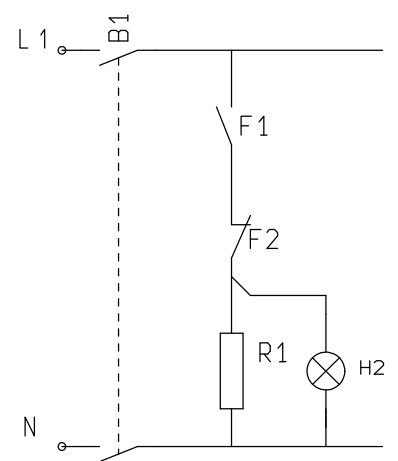
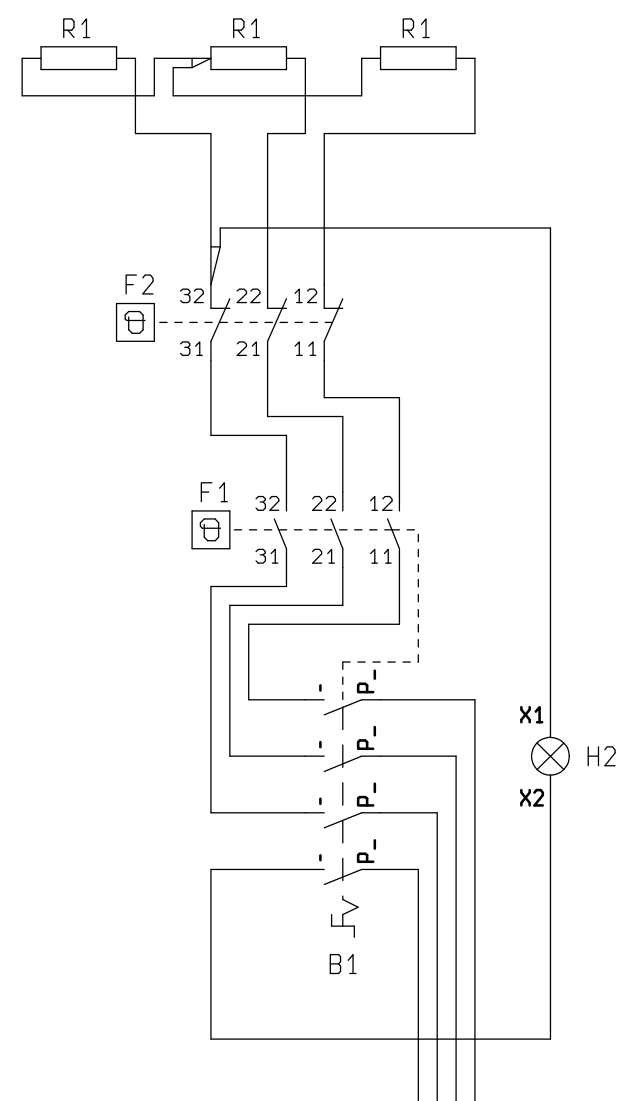
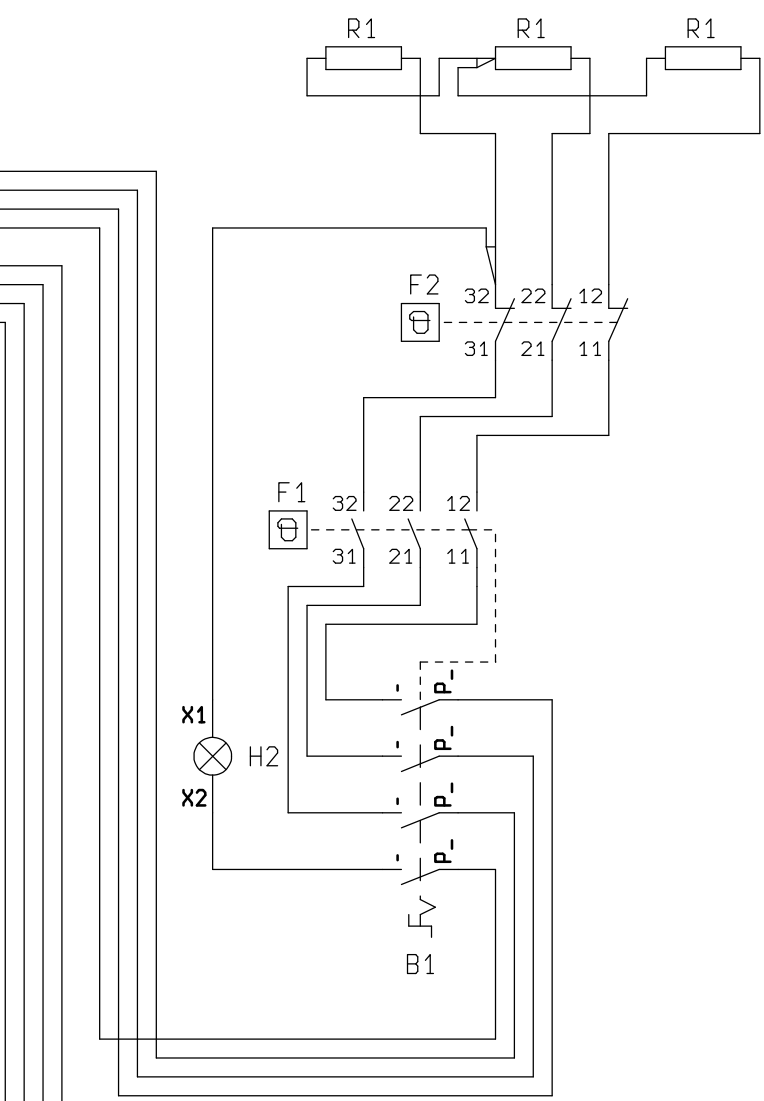
Mod	NFT78E__ EBE74__ 74/10FTE__
P(KW)	10.8
I(A)	15.6
U(V)	400V 3N~
f(Hz)	50/60
Cable	5G1.5mm ²

Mod	EFT78E__ BBE74G__ 741FTA E__
P(KW)	7.8
I(A)	11.2
U(V)	400V 3N~
f(Hz)	50/60
Cable	5G1.5mm ²

INTERRUPTEUR
THERMOSTAT
THERMOSTAT DE SECURITE'
LAMPE ORANGE
BORNES ARRIVEE LIGNE
RESISTANCE

CUT-OFF SWITCH
THERMOSTAT
SAFETY THERMOSTAT
ORANGE PILOTLIGHT
TERMINAL BLOCK
HEATING ELEMENT

EIN-AUS SCHALTER
THERMOSTAT
TEMPERATURBEGRENZER
ORANGE LAMPE
ANSCHLUSSKLEMME
HEIZKORPER

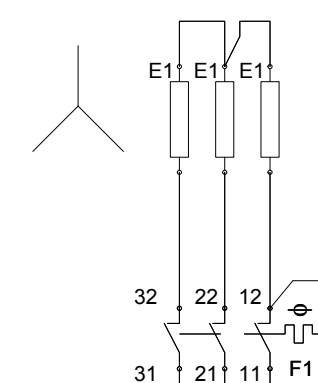
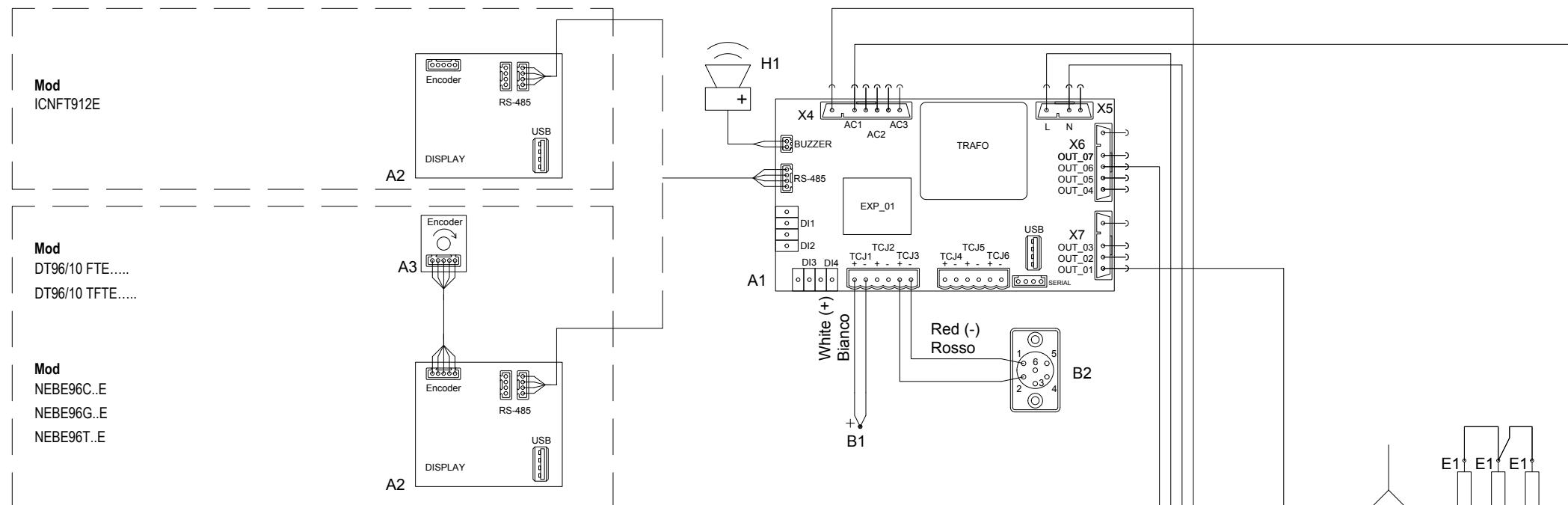


B1 INTERRUTTORE
F1 TERMOSTATO DI LAVORO
F2 TERMOSTATO DI SICUREZZA
H2 SPIA ARANCIO
MA MORSETTIERA ARRIVO LINEA
R1 RESISTENZA

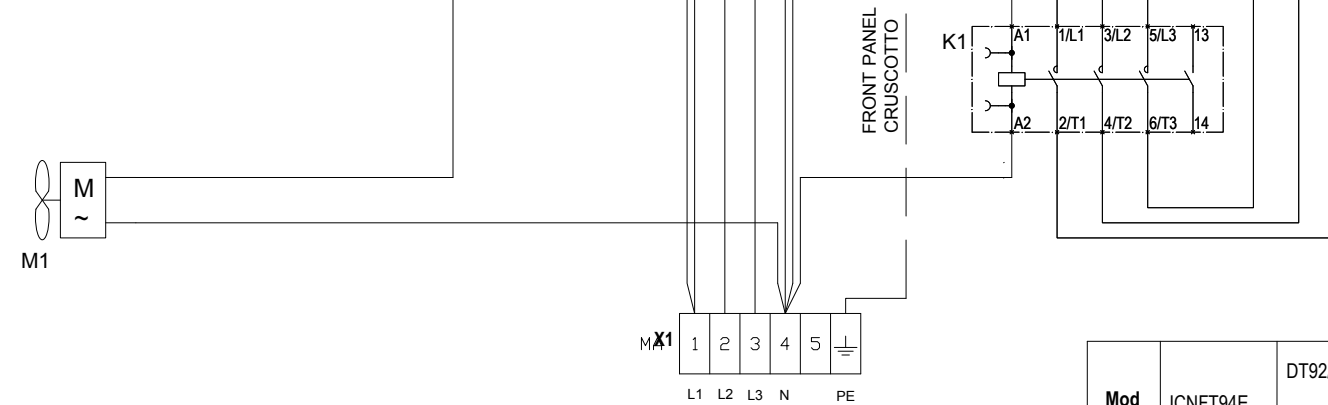
INTERRUPTEUR
THERMOSTAT
THERMOSTAT DE SECURITE'
LAMPE ORANGE
BORNES ARRIVEE LIGNE
RESISTANCE

CUT-OFF SWITCH
THERMOSTAT
SAFETY THERMOSTAT
ORANGE PILOTLIGHT
TERMINAL BLOCK
HEATING ELEMENT

EIN-AUS SCHALTER
THERMOSTAT
TEMPERATURBEGRENZER
ORANGE LAMPE
ANSCHLUSSKLEMME
HEIZKORPER



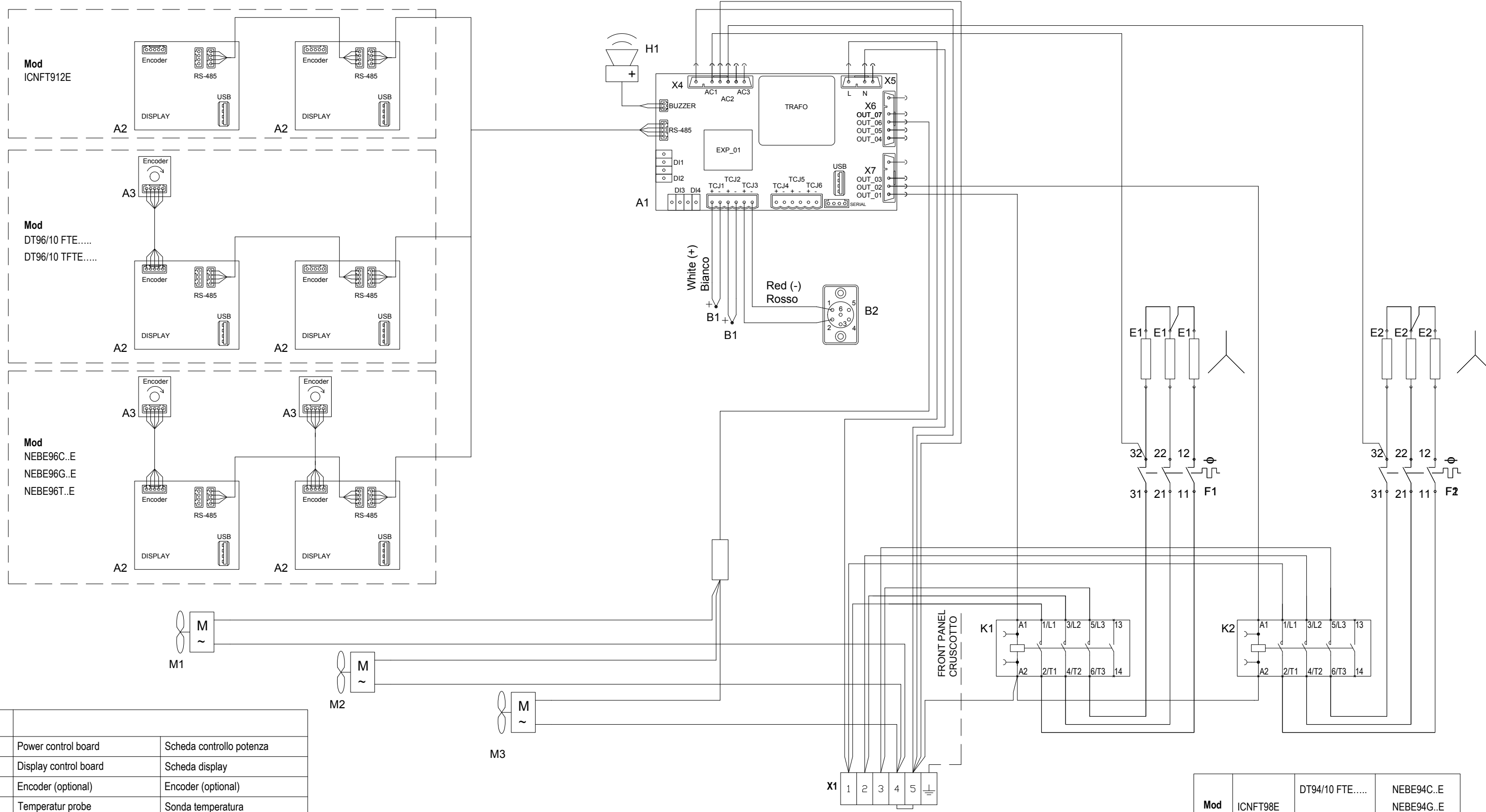
ref		
A1	Power control board	Scheda controllo potenza
A2	Display control board	Scheda display
A3	Encoder (optional)	Encoder (optional)
B1	Temperatur probe	Sonda temperatura
B2	Heart temperatur probe (input)	Sonda al cuore (ingresso)
E1	Heating Element	Resistenza
F1	Safety Thermostat	Termostato di sicurezza
H1	Buzzer	Buzzer
K1..K3	Contactore	Contattore
M1	Fan	Ventilatore
X1	Mains terminal	Terminale arrivolinea



Mod	ICNFT94E	DT92/10 FTE.....	NEBE92C..E	ICNFT96E	DT93/10 FTE.....	NEBE93C..E
		DT92/10 TFTE.....	NEBE92G..E		DT93/10 TFTE.....	NEBE93G..E
P(kW)		7,5			10,5	
I(A)		10,8			15,6	
U(V)		380-415V 3N~				
f(Hz)		50-60				
Cable		5G1,5mm²			5G1,5mm²	

Code	CR1223440		Drawing Description	SCHEMA ELE.FRYTOP ELETTRONICO 900 M40/60		Rev.	00
Author	NARDINI		Document Type	SCHEMA ELETTRICO		Document Status	Description
Date	03/05/2016				This document is exclusive property of ALI S.p.A. and should not be distributed, reproduced, into any other format without prior permission of ALI S.p.A. - Specifications subject to change without prior notice -		


Rif	Rev	Description	Date	Author
16037	00	PRIMA EMISSIONE		NARDINI

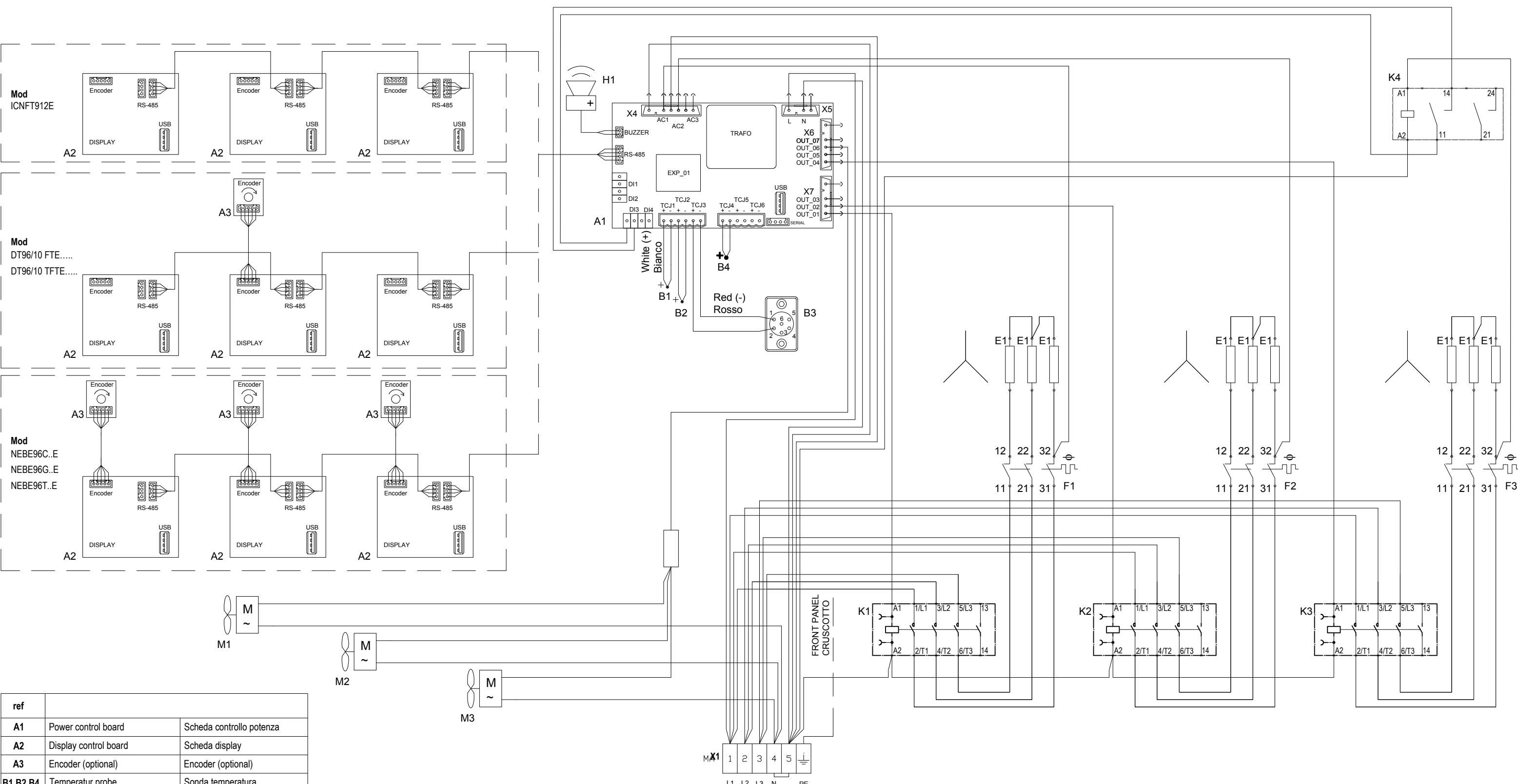


ref		
A1	Power control board	Scheda controllo potenza
A2	Display control board	Scheda display
A3	Encoder (optional)	Encoder (optional)
B1	Temperatur probe	Sonda temperatura
B2	Heart temperatur probe (input)	Sonda al cuore (ingresso)
E1-E2	Heating Element	Resistenza
F1-F2	Safety Thermostat	Termostato di sicurezza
H1	Buzzer	Buzzer
K1..K3	Contactur	Contattore
M1-M3	Fan	Ventilatore
X1	Mains terminal	Terminale arrivolinea

Mod	ICNFT98E	DT94/10 FTE..... DT94/10 TFTE.....	NEBE94C..E NEBE94G..E NEBE94T..E
P(kW)	15		
I(A)	21,6		
U(V)	380-415V 3N~		
f(Hz)	50-60		
Cable	5G2,5mm²		

Rif	Rev	Description	Date	Author
16030	00	PRIMA EMISSIONE	03/05/2016	MARTINI


Code	CR1223450		Drawing Description	SCHEMA ELE.FRYTOP ELETTRONICO 900 M80		Rev.	00
Author	MARTINI		Document Type	SCHEMA ELETTRICO	Document Status	Description	
Date	04/10/2016		 This document is exclusive property of ALI S.p.A. and should not be distributed, reproduced, into any other format without prior permission of ALI S.p.A. - Specifications subject to change without prior notice -				



ref		
A1	Power control board	Scheda controllo potenza
A2	Display control board	Scheda display
A3	Encoder (optional)	Encoder (optional)
B1,B2,B4	Temperatur probe	Sonda temperatura
B3	Heart temperatur probe (input)	Sonda al cuore (ingresso)
E1	Heating Element	Resistenza
F1	Safety Thermostat	Termostato di sicurezza
H1	Buzzer	Buzzer
K1..K3	Contactore	Contattore
K4	Relay	Relay
M1	Fan	Ventilatore
X1	Mains terminal	Terminale arrivolinea

Mod	ICNFT912E	DT96/10 FTE..... DT96/10 TFTE.....	NEBE96C..E NEBE96G..E NEBE96T..E
P(kW)	22,5		
I(A)	32,5		
U(V)	380-415V 3N~		
f(Hz)	50-60		
Cable	5G6mm²		

Rif	Rev	Description	Date	Author
16037	00	PRIMA EMISSIONE	12/10/2016	MARTINI

Code	CR1223460		Drawing Description	SCHEMA ELE.FRYTOP ELETTRONICO 900 M120		Rev.	00
Author	MARTINI		Document Type	SCHEMA ELETTRICO	Document Status	Description	
Date	12/10/2016		 This document is exclusive property of ALI S.p.A. and should not be distributed, reproduced, into any other format without prior permission of ALI S.p.A. - Specifications subject to change without prior notice -				