

SCHALTPLAN



KBS Gastrotechnik GmbH – Schoßbergstraße 26 – 65201 Wiesbaden

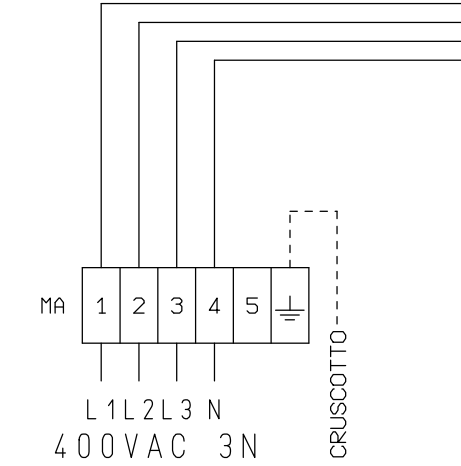
SCHEMA EL. FRY-TOP

DIS.N. CR0584570

DATA 04.05.07

MOD. -

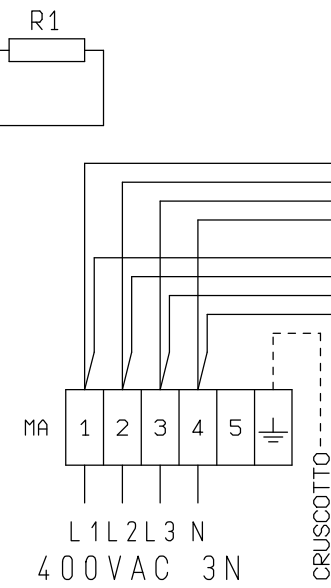
DISEGNATO DA: NARDINI	MOD.	FIRMA	DATA	DESCRIZIONE MODIFICA	
				PRIMA EMISSIONE	AGGIUNTA MODELLI 700
APPROVATO DA: NARDINI	MOD.	FIRMA	DATA	DESCRIZIONE MODIFICA	
				AGGIUNTA MODELLI 700 SILKO	AGGIUNTA MODELLI 700 ECONOMICI
				04.05.07	04.05.07
		NARDINI	NARDINI	31.07.08	31.07.08
		NARDINI	NARDINI	26.09.08	26.09.08
		NARDINI	NARDINI	03.02.09	03.02.09
				04.05.07	04.05.07
				31.07.08	31.07.08
				26.09.08	26.09.08
				03.02.09	03.02.09



Mod	NFT94E__ EBE92__ 92/10FTE__ 90FT/E4__	NFT96E__ EBE93__ 93/10FTE__ 90FT/E6__
P(KW)	7.5	10.5
I(A)	10.8	15.2
U(V)	400V 3N~	
f(Hz)	50/60	
Cable	5G1.5mm ²	

Mod	NFT74E__ EBE72__ 72/10FTE__	NFT76E__ EBE73__ 73/10FTE__
P(KW)	5.4	7.5
I(A)	7.8	10.8
U(V)	400V 3N~	
f(Hz)	50/60	
Cable	5G1mm ²	5G1.5mm ²

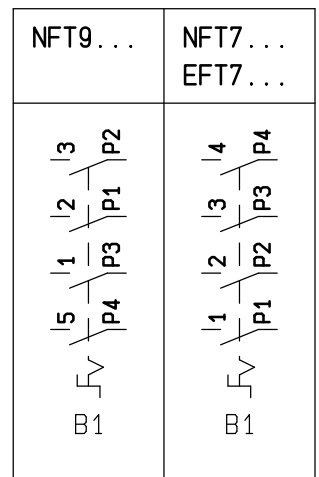
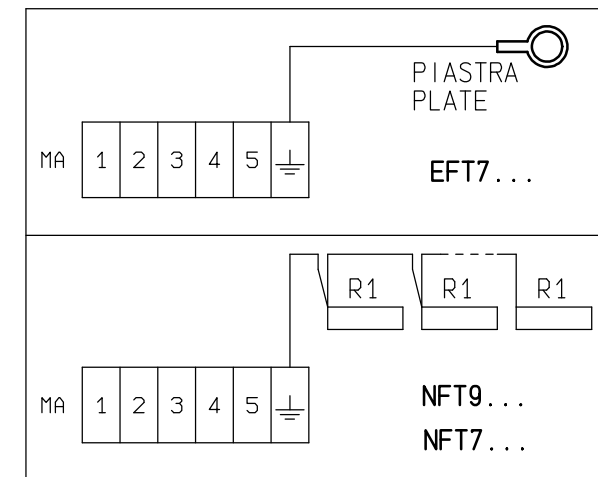
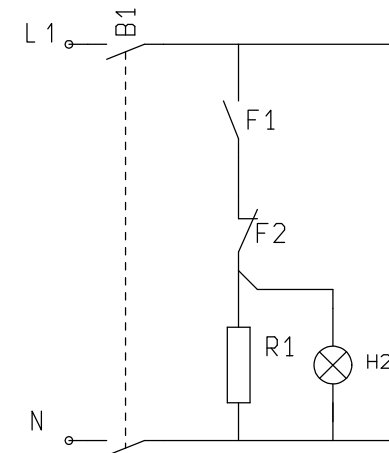
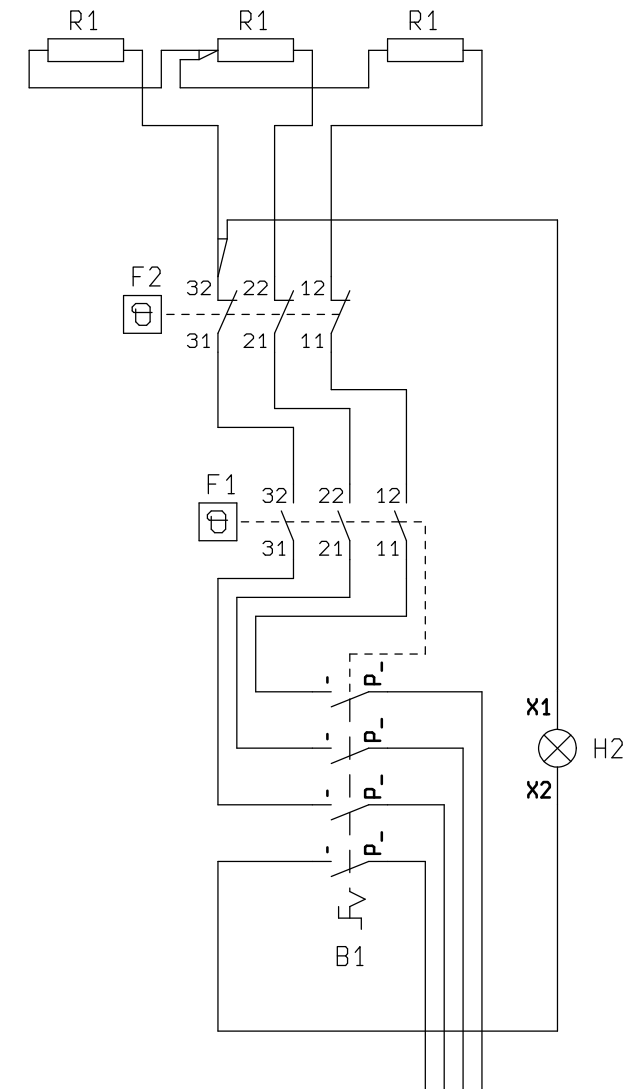
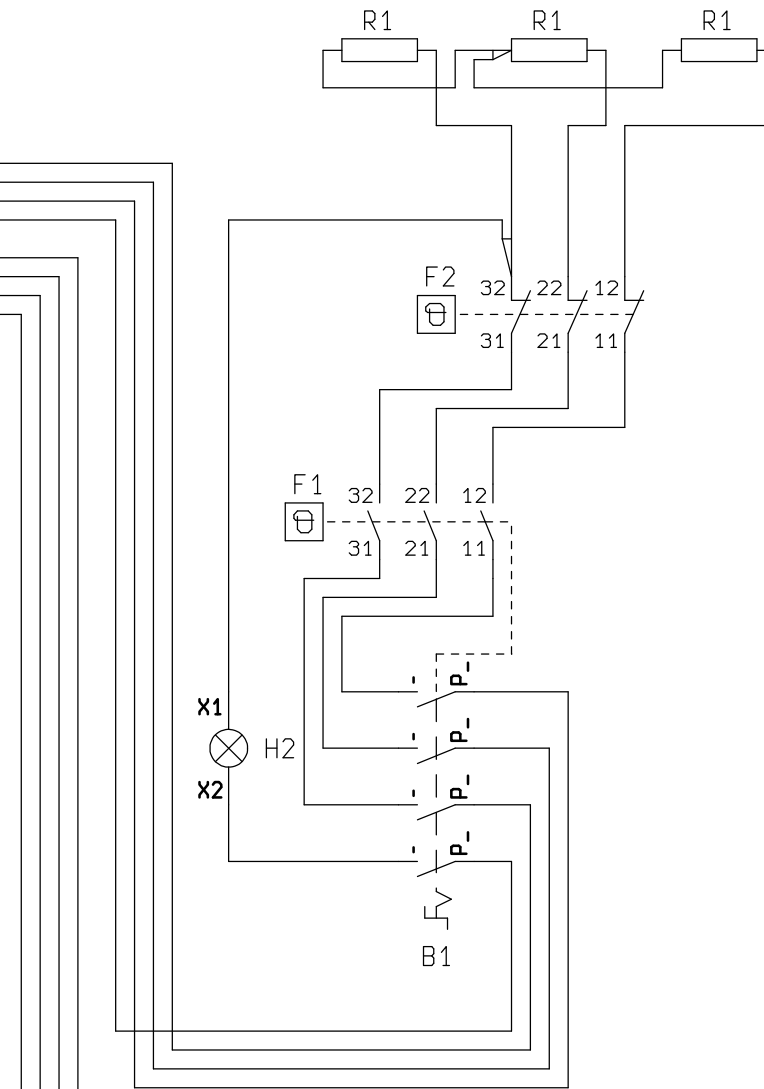
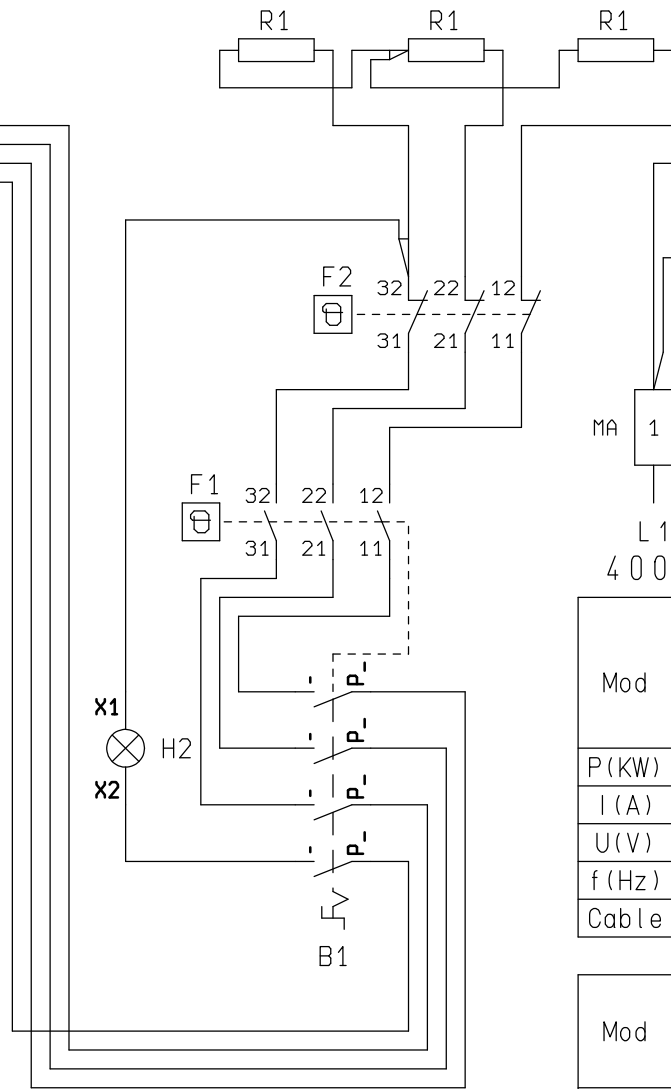
Mod	EFT74E__ BBE72G__ 721FTA_E__
P(KW)	3.9
I(A)	5.6
U(V)	400V 3N~
f(Hz)	50/60
Cable	5G1mm ²



Mod	NFT98E__ EBE94__ 94/10FTE__ 90FT/E8__
P(KW)	15
I(A)	21.6
U(V)	400V 3N~
f(Hz)	50/60
Cable	5G2.5mm ²

Mod	NFT78E__ EBE74__ 74/10FTE__
P(KW)	10.8
I(A)	15.6
U(V)	400V 3N~
f(Hz)	50/60
Cable	5G1.5mm ²

Mod	EFT78E__ BBE74G__ 741FTA_E__
P(KW)	7.8
I(A)	11.2
U(V)	400V 3N~
f(Hz)	50/60
Cable	5G1.5mm ²



B1 INTERRUTTORE
F1 TERMOSTATO DI LAVORO
F2 TERMOSTATO DI SICUREZZA
H2 SPIA ARANCIO
MA MORSETTIERA ARRIVO LINEA
R1 RESISTENZA

INTERRUPTEUR
THERMOSTAT
THERMOSTAT DE SICURITE'
LAMPE ORANGE
BORNES ARRIVEE LIGNE
RESISTANCE

CUT-OFF SWITCH
THERMOSTAT
SAFETY THERMOSTAT
ORANGE PILOTLIGHT
TERMINAL BLOCK
HEATING ELEMENT

EIN-AUS SCHALTER
THERMOSTAT
TEMPERATURBEGRENZER
ORANGE LAMPE
ANSCHLUSSKLEMME
HEIZKORPER