

SCHALTPLAN



KBS Gastrotechnik GmbH – Schoßbergstraße 26 – 65201 Wiesbaden

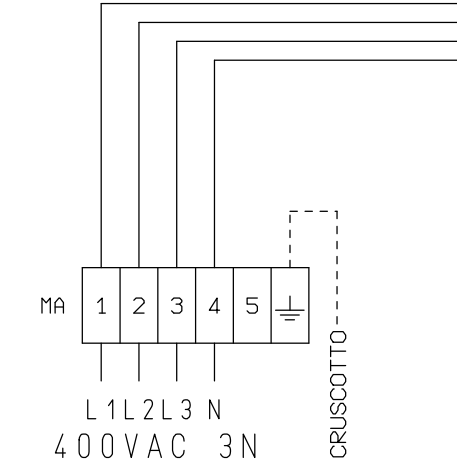
SCHEMA EL. FRY-TOP

DIS.N. CR0584570

DATA 04.05.07

MOD. -

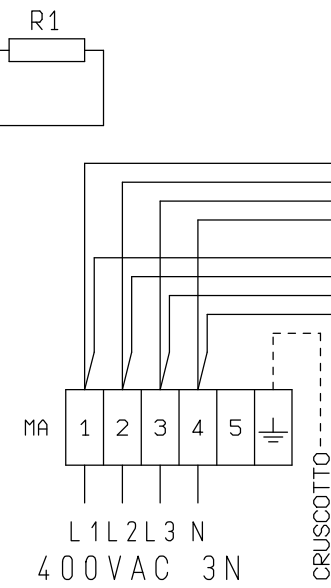
DISEGNATO DA: NARDINI	MOD.	FIRMA	DATA	DESCRIZIONE MODIFICA	
				PRIMA EMISSIONE	AGGIUNTA MODELLI 700
APPROVATO DA: NARDINI	MOD.	FIRMA	DATA	DESCRIZIONE MODIFICA	
				AGGIUNTA MODELLI 700 SILKO	AGGIUNTA MODELLI 700 ECONOMICI
				04.05.07	04.05.07
				31.07.08	30.11.09
				26.09.08	26.02.10
				03.02.09	08.04.14



Mod	NFT94E__ EBE92__ 92/10FTE__ 90FT/E4__	NFT96E__ EBE93__ 93/10FTE__ 90FT/E6__
P(KW)	7.5	10.5
I(A)	10.8	15.2
U(V)	400V 3N~	
f(Hz)	50/60	
Cable	5G1.5mm ²	

Mod	NFT74E__ EBE72__ 72/10FTE__	NFT76E__ EBE73__ 73/10FTE__
P(KW)	5.4	7.5
I(A)	7.8	10.8
U(V)	400V 3N~	
f(Hz)	50/60	
Cable	5G1mm ²	5G1.5mm ²

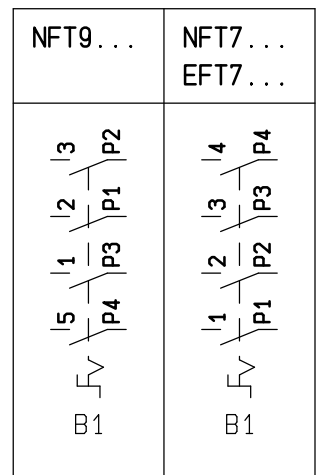
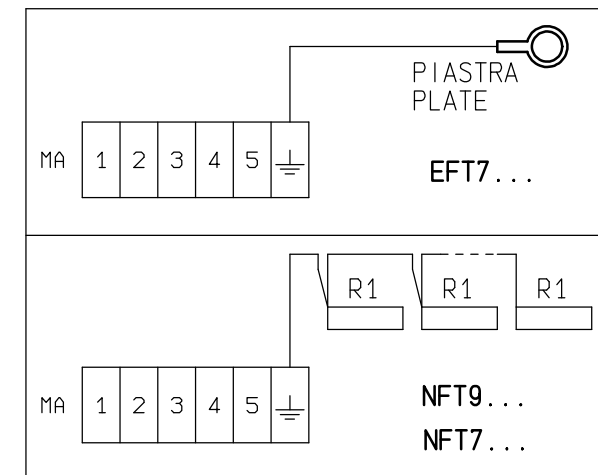
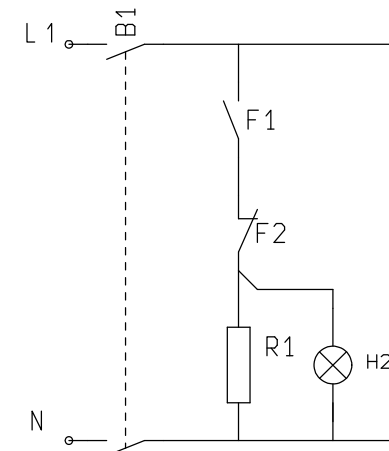
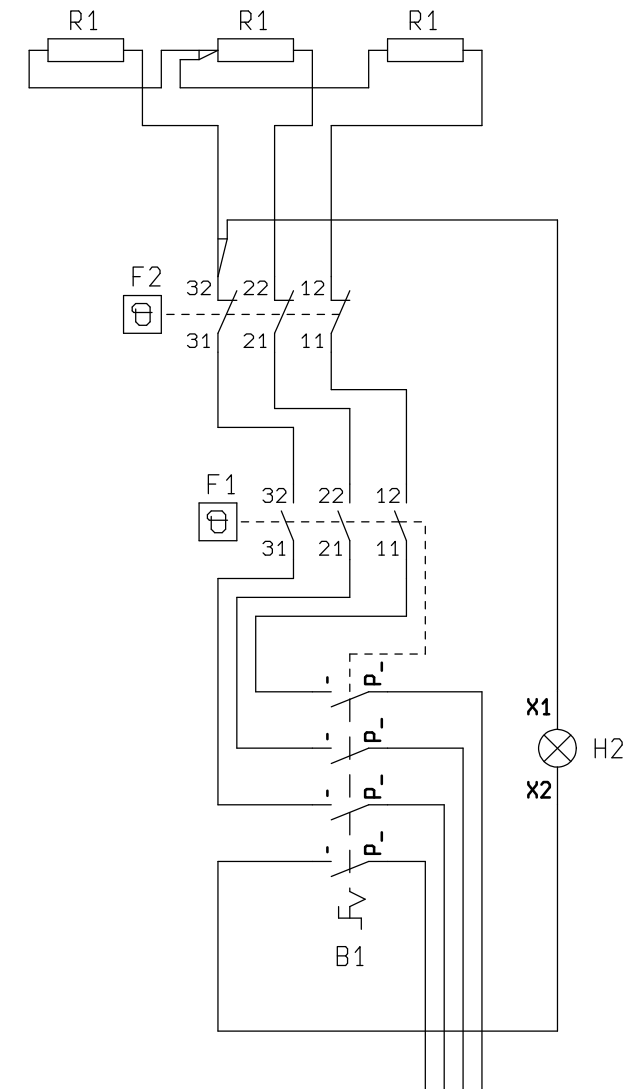
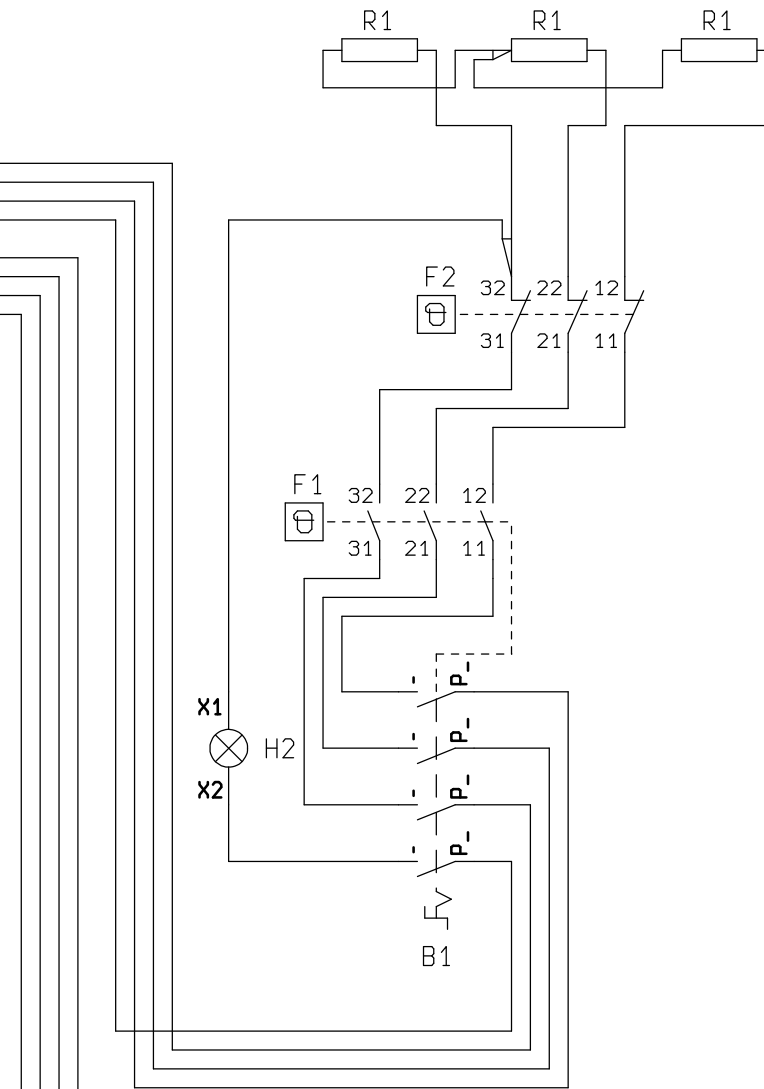
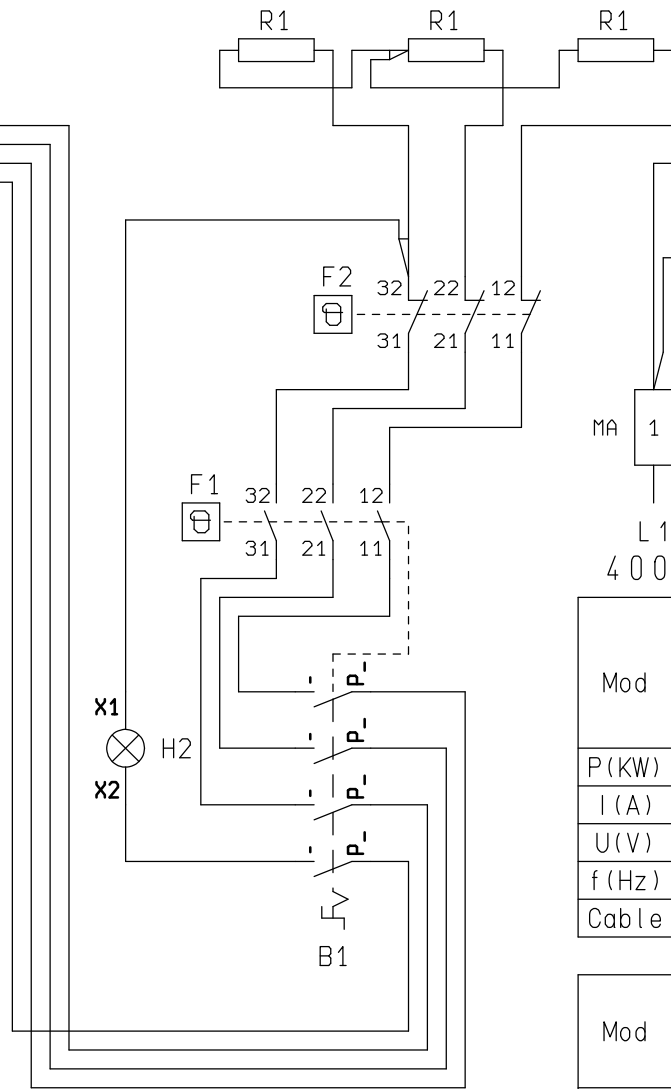
Mod	EFT74E__ BBE72G__ 721FTA E__
P(KW)	3.9
I(A)	5.6
U(V)	400V 3N~
f(Hz)	50/60
Cable	5G1mm ²



Mod	NFT98E__ EBE94__ 94/10FTE__ 90FT/E8__
P(KW)	15
I(A)	21.6
U(V)	400V 3N~
f(Hz)	50/60
Cable	5G2.5mm ²

Mod	NFT78E__ EBE74__ 74/10FTE__
P(KW)	10.8
I(A)	15.6
U(V)	400V 3N~
f(Hz)	50/60
Cable	5G1.5mm ²

Mod	EFT78E__ BBE74G__ 741FTA E__
P(KW)	7.8
I(A)	11.2
U(V)	400V 3N~
f(Hz)	50/60
Cable	5G1.5mm ²



- | | | | | |
|----|--------------------------|-------------------------|-------------------|---------------------|
| B1 | INTERRUTTORE | INTERRUPTEUR | CUT-OFF SWITCH | EIN-AUS SCHALTER |
| F1 | TERMOSTATO DI LAVORO | THERMOSTAT | THERMOSTAT | THERMOSTAT |
| F2 | TERMOSTATO DI SICUREZZA | THERMOSTAT DE SICURITE' | SAFETY THERMOSTAT | TEMPERATURBEGRENZER |
| H2 | SPIA ARANCIO | LAMPE ORANGE | ORANGE PILOTLIGHT | ORANGE LAMPE |
| MA | MORSETTIERA ARRIVO LINEA | BORNES ARRIVEE LIGNE | TERMINAL BLOCK | ANSCHLUSSKLEMME |
| R1 | RESISTENZA | RESISTANCE | HEATING ELEMENT | HEIZKORPER |