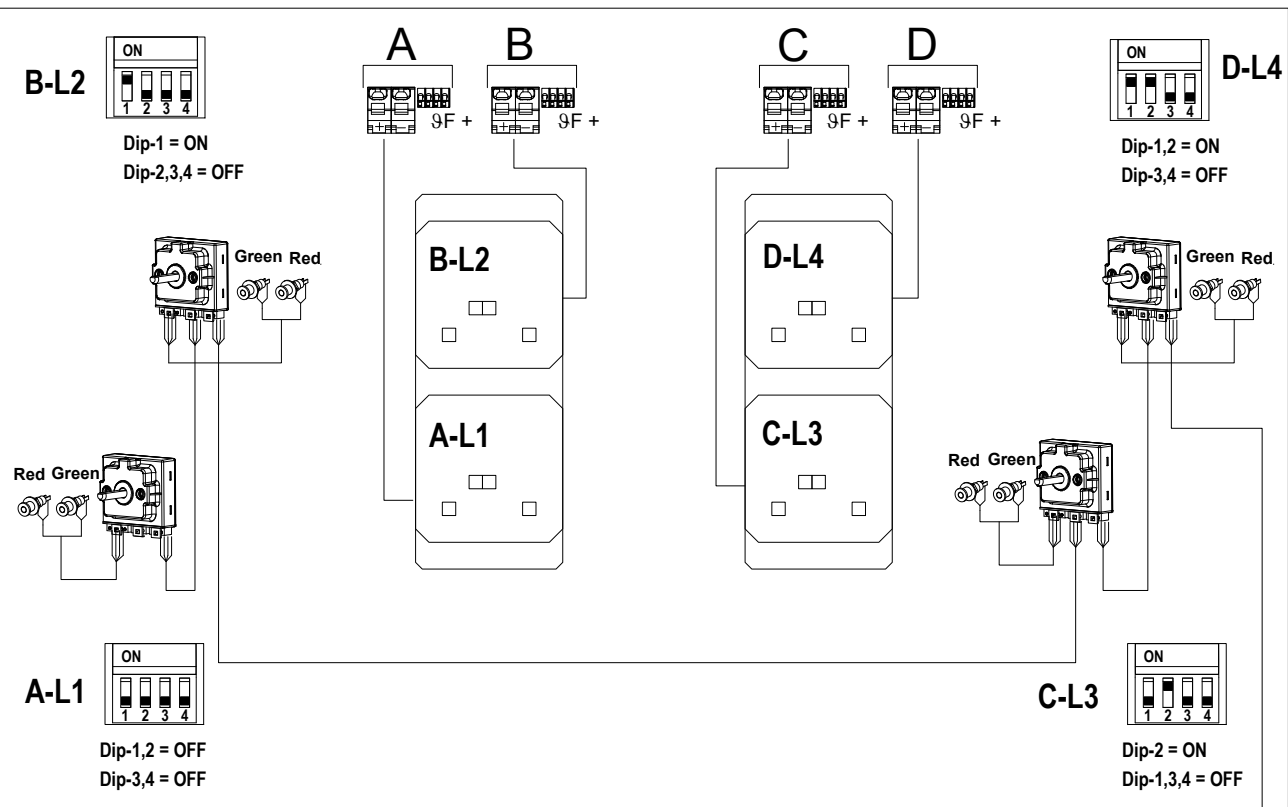


SCHALTPLAN



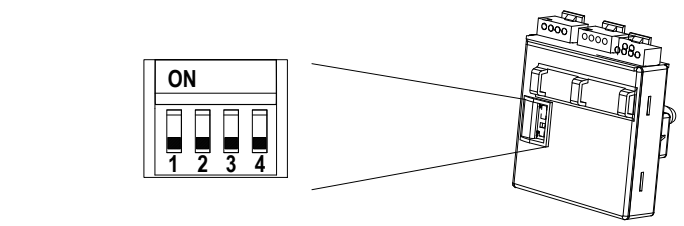
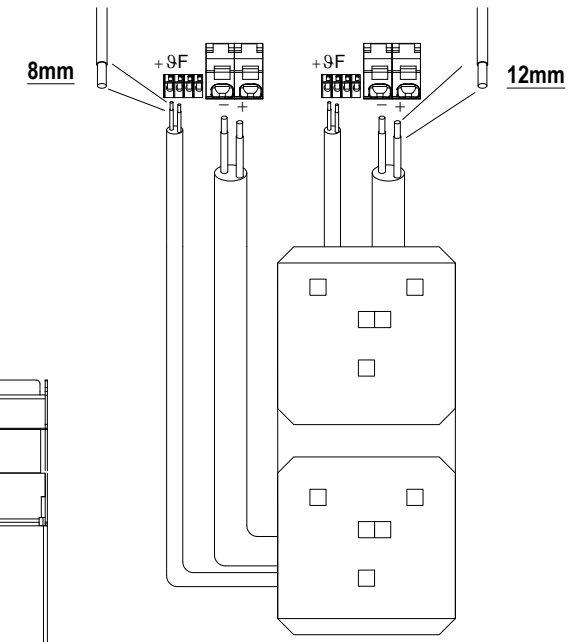
KBS Gastrotechnik GmbH – Schoßbergstraße 26 – 65201 Wiesbaden

Mod	NI98E NI98TE	NI119E	NI78E NI78TE
	(N)ECI94 (N)ECI94_	(N)ECIP4_	(N)ECI74 (N)ECI74_
	(D)94/10 CI (D)94/10_CI	1100/90_VTCIND	(D)74/10 CI (D)74/10_CI
	90PC/IND800 90PC_/IND800	N1100PC/IND900 N1100PC_/IND900	70PC/IND800 70PC_/IND800
P(kW)	20		14
I(A)	30.6		21.5
U(V)		400V 3~	
f(Hz)		50/60	
Cable		4G6mm ²	

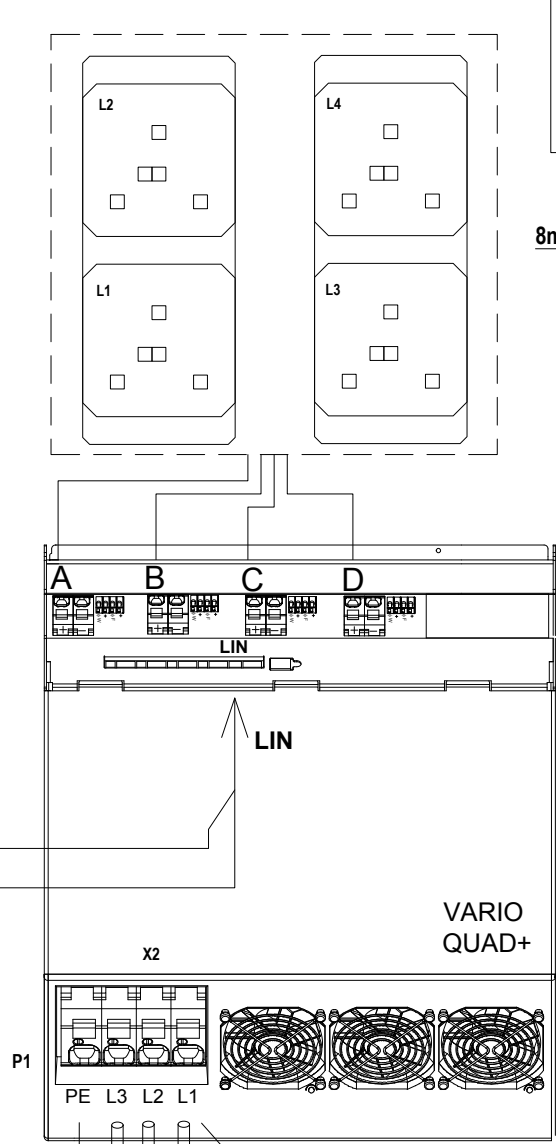
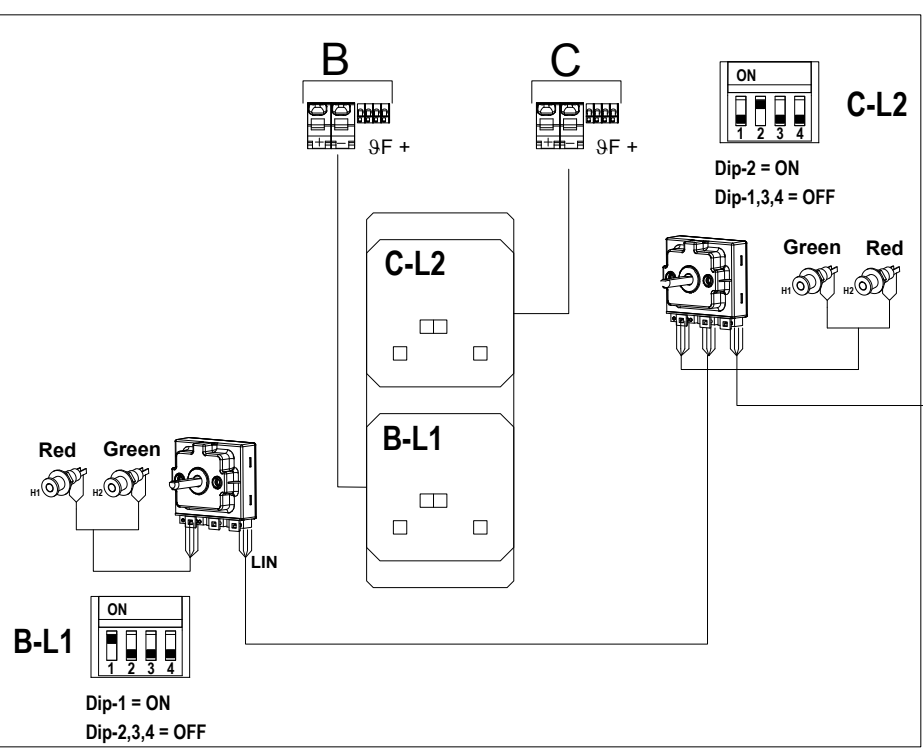


**CONNESSIONE SONDA TEMPERATURA
TEMPERATURE SENSOR CONNECTION**
-Lunghezza spelatura : **8mm**
-Stripping length : **8mm**
-Non usare capicorda sui trefoli
-Do not use end sleeves for strand

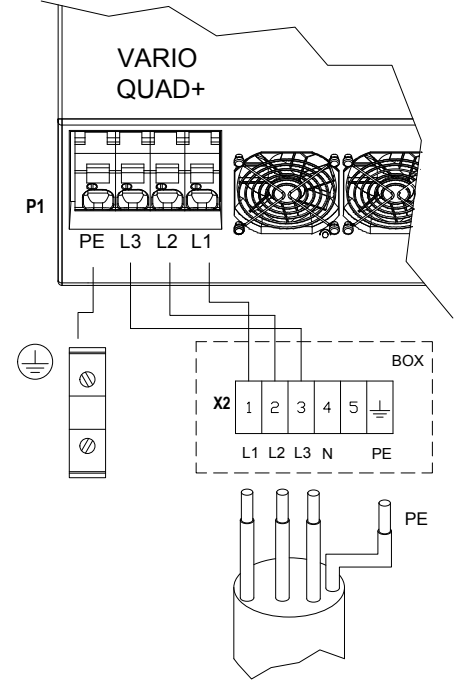
**CONNESSIONE INDUTTORE
INDUCTION CONNECTOR**
-Lunghezza spelatura : **12mm**
-Stripping length : **12mm**
-Non usare capicorda sui trefoli
-Do not use end sleeves for strand



Mod	NI94E NI94TE	NI11C9E NI114E	NI74E NI74TE	DROP IN NI74TED
	(N)ECI92 (N)ECI92_	(N)ECIT2_ (N)ECIP2_	(N)ECI72 (N)ECI72_	DPCI40
	(D)92/10 CI (D)92/10_CI	550/90 VTCIND 550/90_VTCIND 1100/45 VTCIND 1100/45_VTCIND	(D)72/10 CI (D)72/10_CI	DPCI40
	90PC/IND400 90PC_/IND400	N550PC/IND900 N550PC_/IND900 N1100PC/IND450 N1100PC_/IND450	70PC/IND400 70PC_/IND400	DI7PCIND400
P(kW)	10		7	
I(A)	15.3		10.7	
U(V)		400V 3~		
f(Hz)		50/60		
Cable		4G2.5mm ²		



**SOLO VERSIONI DROP-IN
ONLY DROP-IN MODELS**



**CAVI ALIMENTAZIONE
MAINS SUPPLY CABLES**
-Lunghezza spelatura : **12mm**
-Stripping length : **12mm**
-Non usare capicorda sui trefoli
-Do not use end sleeves for strand

ref		
A1	Lin-Knob	Lin-Knob
H1, H2	12V DC Lamps	Spie 12V DC
L1-L4	Flat Electromagnetic Coil	Avvolgimento piatto
P1	Induction generator	Generatore di induzione
X1	Terminal PE	Connettore PE
X2	Mains terminal	Terminale arrivolinea

00	PRIMA EMISSIONE	08/09/2016	MARTINI	
17070	01 AGGIUNTO MODELLI DROP IN 70	20/04/2017	NARDINI	
02	a) AGGIUNTO CODICI APPARECCHIATURE PASSANTI	04/11/2017	MARTINI	
18037	03 AGGIUNTO (Q)	08/05/2018	NARDINI	
Rif	Rev	Description	Date	Author

Code	CR0738011	Drawing Description	SCHEMA COLLEGAMENTO APP.INDUZIONE QUAD+ LIN-KNOB	Rev.	05
Author	MARTINI	Document Type	SCHEMA ELETTRICO	Document Status	Description
Date	05/09/2016	This document is exclusive property of ALI S.p.A. and should not be distributed, reproduced, into any other format without prior permission of ALI S.p.A. - Specifications subject to change without prior notice -			

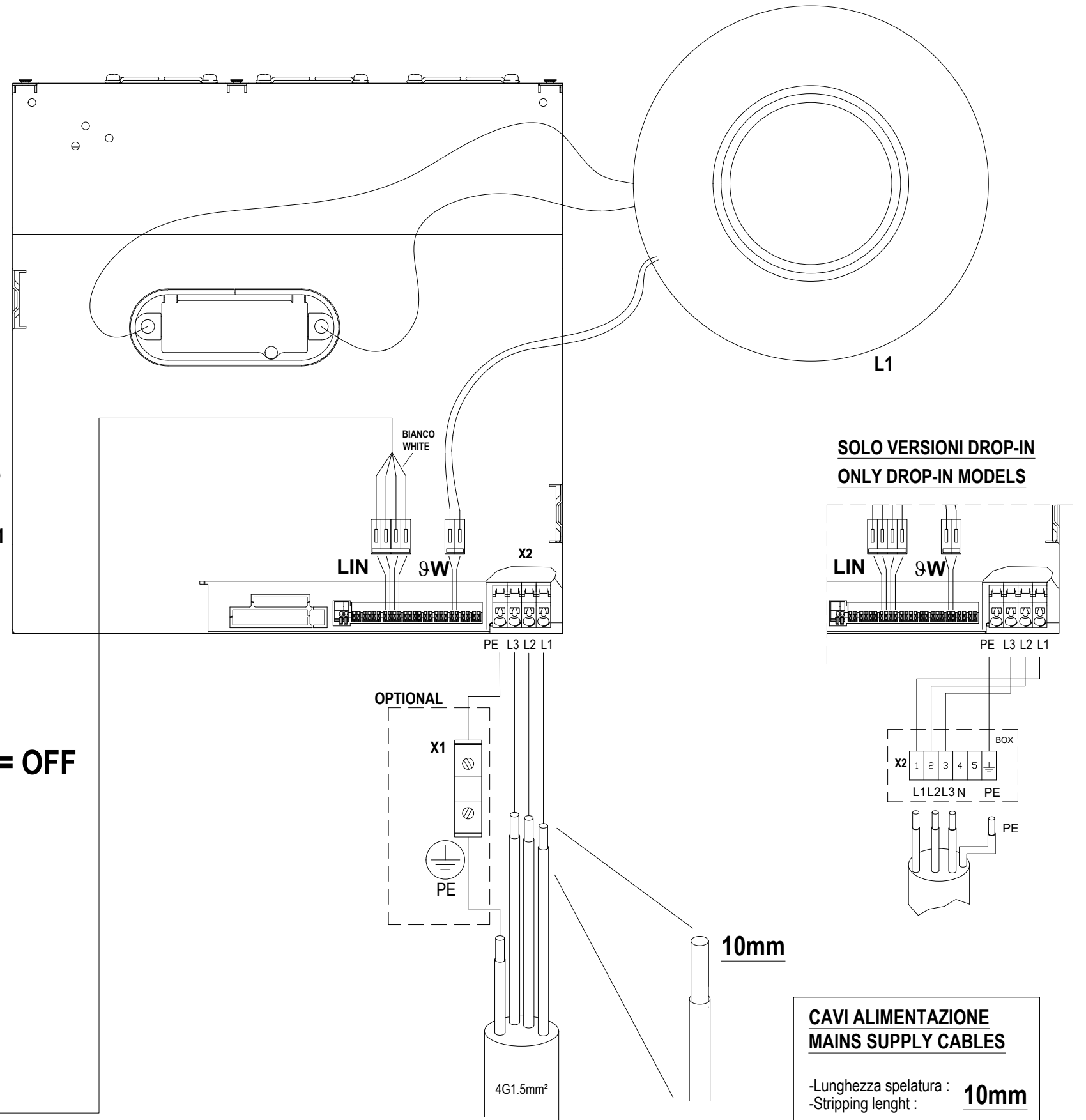
Mod	NIW74TE NIW94TE	(N)ECIW72_ (N)ECIW92_	(D)92/10 TCIW (D)72/10 TCIW (D)92/10 GCIW (D)72/10 GCIW	(Q)90PC/WOK400 (Q)90PC_/WOK400 (Q)70PC/WOK400 (Q)70PC_/WOK400	NIW94TE2 NIW74TE2
	NIW74TED	DPCW40	DPCWI40	DI7PCWI400	
P(kW)	5				
I(A)	7.2			12.6	
U(V)	400V 3~			230V 3~	
f(Hz)	50/60				
Cable	4G1.5mm ²				

ref		
A1	Lin-Knob	Lin-Knob
H1, H2	12V DC Lamps	Spie 12V DC
L1	Wok Electromagnetic Coil	Bobina Wok
P1	Induction generator	Generatore di induzione
X1	Terminal PE	Connettore PE
X2	Mains terminal	Terminale arrivolinea

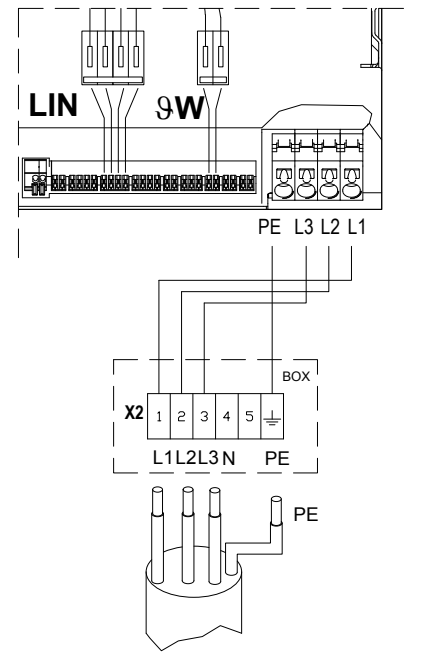
DROP IN

VARIO ATICS

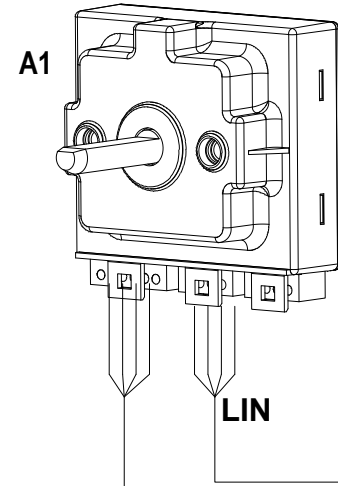
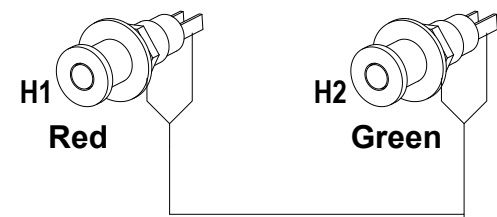
P1



SOLO VERSIONI DROP-IN
ONLY DROP-IN MODELS




ON
1 2 3 4
Dip-1,2,3,4 = OFF



CAVI ALIMENTAZIONE
MAINS SUPPLY CABLES

-Lunghezza spelatura : **10mm**
-Stripping length :

-Non usare capicorda sui trefoli
-Do not use end sleeves for strand

Code	CR0841651	Drawing Description	SCHEMA COLLEGAMENTO APP.INDUZIONE ATICS LIN-KNOB	Rev.	02
Author	MARTINI	Document Type	SCHEMA ELETTRICO	Document Status	Description
Date	04/12/2017	 This document is exclusive property of ALI S.p.A. and should not be distributed, reproduced, into any other format without prior permission of ALI S.p.A. - Specifications subject to change without prior notice -			

Rif	Rev	Description	Date	Author
	00	PRIMA EMISSIONE	08/09/2016	MARTINI
17070	01	AGGIUNTO MODELLI DROP IN 70	04/12/2017	NARDINI
18037	02	AGGIUNTO (Q)	08/05/2018	NARDINI