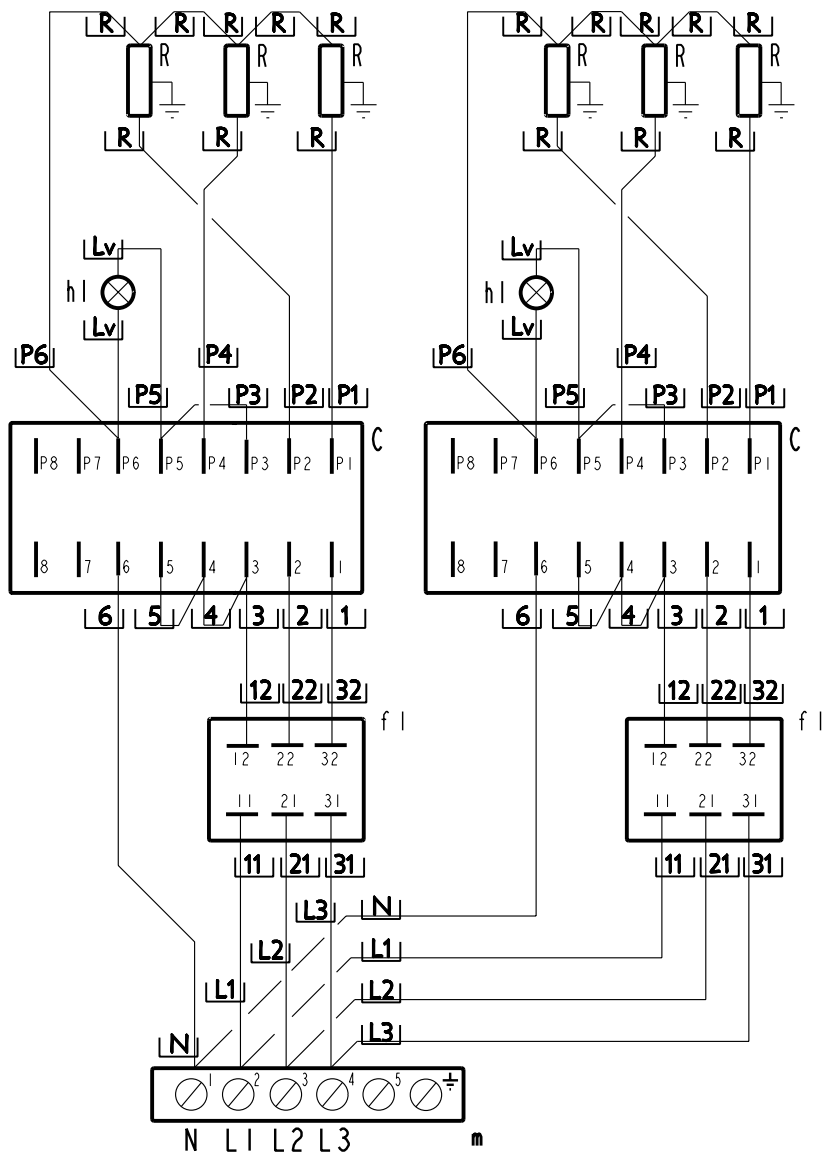


# SCHALTPLAN

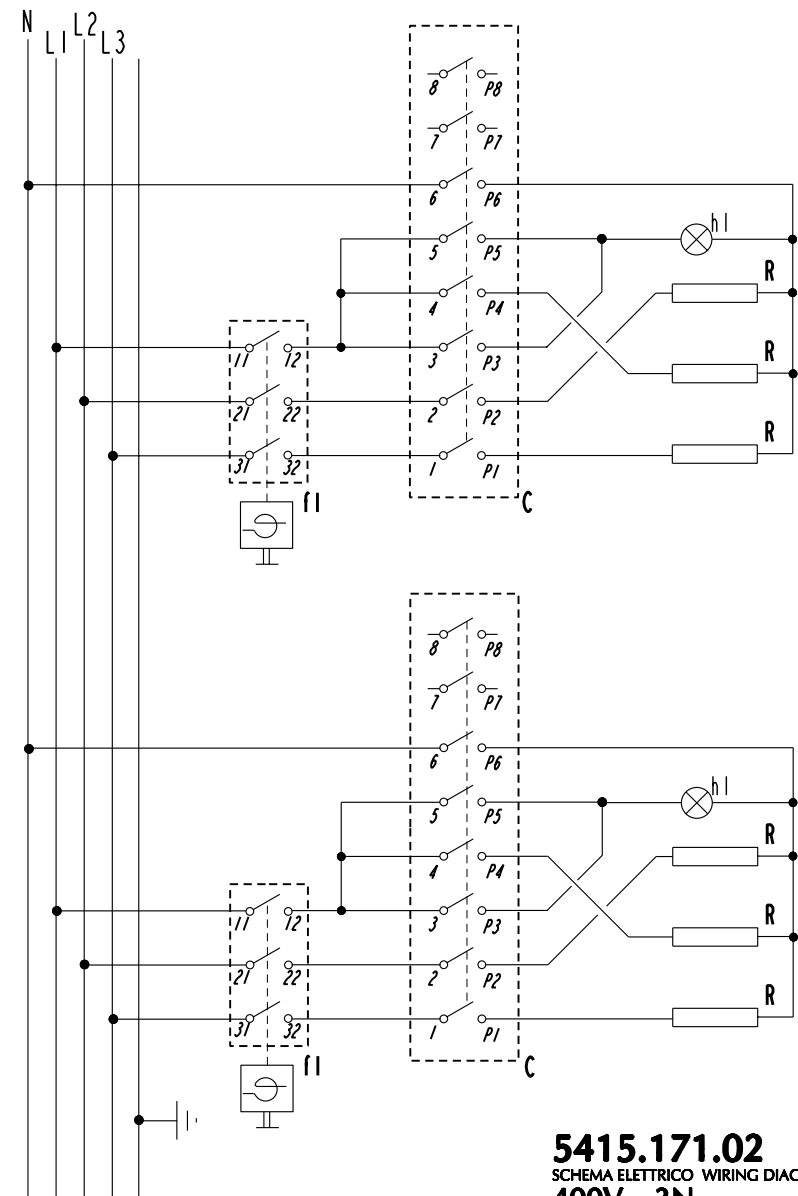


KBS Gastrotechnik GmbH – Schoßbergstraße 26 – 65201 Wiesbaden



|   | P1                       | P2                       | P3                       | P4                       | P5                       | P6                       | P7                       | P8                       |                          |
|---|--------------------------|--------------------------|--------------------------|--------------------------|--------------------------|--------------------------|--------------------------|--------------------------|--------------------------|
| 0 | <input type="checkbox"/> | <input type="checkbox"/> | <input type="checkbox"/> | <input type="checkbox"/> | <input type="checkbox"/> | <input type="checkbox"/> | <input type="checkbox"/> | <input type="checkbox"/> | <input type="checkbox"/> |
| 3 | X                        | X                        | X                        | X                        | X                        | X                        |                          | X                        | <input type="checkbox"/> |
| 2 | X                        | X                        | X                        |                          |                          | X                        | X                        | X                        | <input type="checkbox"/> |
| 1 |                          |                          |                          | X                        | X                        | X                        |                          | X                        | <input type="checkbox"/> |

|    |                           |                             |
|----|---------------------------|-----------------------------|
| R  | Resistenza Elettrica      | Heating Element             |
| fI | Limitatore di Temperatura | Temperature Limiting Device |
| hI | Lampada Presenza Tensione | Tension Signal Lamp         |
| C  | Commutatore               | Switch                      |
| m  | Morsettiera               | Main Terminal Block         |



**5415.171.02**  
 SCHEMA ELETRICO WIRING DIAGRAM  
 400V ~ 3N  
 Mod. CP70E7  
 CP8FE7