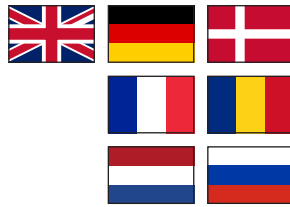


BEDIENUNGSANLEITUNG



KBS Gastrotechnik GmbH – Schoßbergstraße 26 – 65201 Wiesbaden



AQUA GRILL

INSTRUCTION FOR INSTALLATION AND USE
DIE GEBRAUCHS UND INSTALLATIONSANWEISUNG
NOTICE D'INSTALLATION ET D'EMPLOI
INSTRUCTIE VOOR INSTALLATIE EN GEBRUIK
BRUGS- OG MONTERINGSVEJLEDNING
GHID DE INSTALARE SI UTILIZARE
ИНСТРУКЦИИ ПО ИСПОЛЬЗОВАНИЮ И УСТАНОВКЕ



GV 30 E, GV 30 EL, GV 30 ELT, GV 30 ET, VGT E R 63





CONTENT

Declaration of a standards conformity	3
Instruction for use	7
Cleaning and maintenance	8

INHALT



Die Normenübereinstimmungsdeklaration	9
Gebrauchsanweisung	13
Die Reinigung und Instandhaltung	14

CONTENU



Déclaration de conformité	15
Mode d'emploi	19
Nettoyage et entretien	20

INHOUD



De verklaring van overeenstemming met de normen	21
Gebruiksaanwijzing	26
Reiniging en onderhoud	27

BRUGERVEJLEDNING



Erklæring om standard kompatibilitet	31
Brugsvejledning	34
Rensning og vedligeholdelse	35

CONȚINUT



Declarație de conformitate cu regulile	41
Ghid de utilizare	45
Curățare și mentenanță	46

СОДЕРЖАНИЕ



Декларация о соответствии стандартам	52
Руководство по эксплуатации	57

DECLARATION OF A STANDARDS CONFORMITY

The producer confirms that the devices agree with 2014/30/EU, 2014/35/EU standards, rule nr. 117/2016 sb., 118/2016 sb. and with relevant government orders. Instalation must be done with respect to valid standards. Attention, the producer refuses any responsibility in case of direct or indirect damages which are caused due to wrong instalation, incorrect intervention or modification, insufficient maintenance, incorrect use and also possibly caused by other reasons presented by items in sale conditions. This appliance is set only for skilled use and must be operated by qualified persons only. Parts set and secured by the producer or accredited person must not be rebuilt by user.

TECHNICAL DATA

Label with technical data is placed on the back side of the device. Study the electrical diagram of connection and all following information before instalation.

MODEL	VOLTAGE (V / HZ)	WATTAGE (KW)	DIMENSIONS (CM)
GV 30 E	230 / 50-60	3,3	33 x 62 x 32 v
GV 30 EL	230 / 50-60	3,3	33 x 62 x 42 v
GV 30 ET	400 / 50-60	4	33 x 62 x 32 v
GV 30 ELT	400 / 50-60	4	33 x 62 x 42 v

PACKING AND DEVICE CHECK

The device leaves our stocks properly packed with appropriate symbols and labels. There are also appropriate instructions for use. In case the packing shows bad handling or damage, it must be reclaimed at transporter immediately by writing and signing of a damage protocol.

Important notice:

-This product is only intended for use inside.

Never use the appliance if it has a damaged supply cable or plug, if it is not working correctly, has fallen to the ground and been damaged or fallen into water. In such cases take the appliance to a professional service in order to verify that it is safe and works correctly.

- only for professional use
- this instructing guide must be read properly and carefully because it contains important information about safety elements, installation, use
- these recommendations refer to this product
- this product corresponds with valid standards
- this guide must be properly deposited for future use
- keep the children away from manipulation with the product
- when selling or moving the product to another place it is necessary to make yourself sure that the staff or the professional service has got acquainted with control and installation instructions from enclosed guide
- only authorised person can operate the product
- it can not be switched on without supervision
- we recommend to have the product checked by professional service min. once a year
- only original spare parts can be used for repairs
- the product can not be cleaned by the water jet or pressure shower
- by damage or break down disconnect all the feeders (water, gas, electricity) and call professional service
- producer refuses any responsibility in case of damages caused by wrong installation, by disobeying of above mentioned recommendations or by other use etc.

PLACEMENT

The device must be installed in well ventilated room what is necessary for regulation of the function of the device (technician must go by valid standard (EN....)). If the device is situated close to the wall or if it is in contact with the furniture walls, these walls must resist the temperatures ranging to 90°C. Installation, setting, putting into operation must be done by qualified person who is competent for this and according to the valid standards.

Wrap up the device and check whether it was not damaged during transport. Settle the device on horizontal surface (max imbalance 2°). Settle the device under the fumehood to eliminate water steam and bad smell. The device can be installed separately or in a set with devices of our production. Min. distance 10 cm from other subjects must be kept. It is also necessary to prevent our product from contact with combustible materials. In this case you must make corresponding changes to secure heat isolation of combustible parts. Safety measures from the standpoint of the fire protection according to EN 061008čl. 21:

SAFETY MEASURES FROM THE STANDPOINT OF THE FIRE PROTECTION ACCORDING TO EN 061008 ČL. 21

- only adults can operate the device
- device must be safely used in common surroundings according to EN 332000-4-462; EN 332000-4-42. You must switch the gas device off under the circumstances leading: to the danger of the temporary rise of the combustion gas or steam or during works when there is a big possibility of rise of the temporary fire danger or explosion (for example: to stick linoleum, PVC etc.).
- before you start to instal the device you must get the licence for connection to the gas feeder from the gasworks
- device must be placed so as to stand or hang on the noncombustible surface which is on each side 10 cm larger than the device. No subjects from combustible materials can be placed directly on the device or in distance which is shorter than safety distance (the shortest distance is 50 cm in the direction of the heat emission and 10 cm in other directions).- safety distances from various materials of different degree of combustion and information about the degree of comb. of common building materials - see chart:

Chart:

Combustion degree of building materials classified according to the combustion degree of materials and products (EN 730823)

A noncombustible	granit, sandstone, concretes,bricks, ceramic wallfacing tiles, plaster
B uneasily combustible	akumine, heraklite, lihnos, itavere
C1 hardly combustible	leafy wood, plywood, sirkoklit, rare paper formica
C2 middle combustible	fibreboards, solodure, cork boards, rubber,floor-coverings
C3 easily combustible	wood-fibreboards, polystyrene,polyurethane, PVC

Devices must be instalated in a safe way. When instaling you must respect corresponding project, safety and hygienic orders according to:

- EN 061008 fire protection of local devices and sources of heat
- EN 332000 (33 2000-4-482; 33 2000-4-42) surrounding for electric devices ČSN EN 1775 Gas supplying
- Gas fi ttings in the buildings - the highest operational pressure < 5 bar - operation demands
- § 10 law nr. 185/2001 Sb. about waste


CONNECTION OF THE ELECTRIC CABLE TO THE ELECTRICITY

Instalation of electric feeder - This feeder must be separetely protected by a safety fuse according to the specific electric stream which depends on the wattage of the instaled device. Check the wattage on the label at the back of the device. Connect the device directly to the electricity but you must put the switch between the device and electric net. The switch must be placed in min. distance 3 mm between the particular contacts according to the standards and loading. The feeder of grounding (yellow-green) cannot be interrupted by this switch. In every case feeding cable must be placed so that no point of the cable will reach the temperature which is 50°C higher than the temperature of the surrounding. Before connecting the device check that:

- safety fuse of the feeder and inner mains can stand the loading of the device (see label of the matrix)
- mains are equipped with effective grounding according to standards (ČSN) and conditions given by law
- socket or switch of the feed is well accessible from device

We refuse any responsibility in case of not respecting above mentioned rules. Before the first use it is necessary to remove all the protection foil and to clean the device - see chapter „cleaning and maintenance“.

Maintenance: We recommend to have the device checked once a year by the proffesional service. Only qualified or competent persons can do interventions in the product.

-  -Do not insert the power cable plug into the el. socket and do not pull it out of the el. socket with wet hands or by pulling on the cable!
- Do not use extension cables or power strips.

TECHNICAL INSTRUCTIONS FOR INSTALATION AND REGULATION

Important:

The manufacturer does not provide warranty for defects caused by improper use, failure to instructions contained in the attached instructions for use and mistreatment of the appliances.

Installation, adjustment and repair of appliances for kitchens, as well as their removal because of possible damage to the gas can be carried out only under a maintenance contract, this contract may be signed with an authorized dealer, and must be complied with regulations and technical standards and regulations regarding the installation, power supply, gas connection and health & safety system.

These instructions are intended for the qualified technician who must perform the installation, put it into operation and test the appliance.

Any activity as settings, placement, rebalancing etc, must be made only when is device disconnected from electricity. If it is necessary to have the device connected to the electricity you must keep the highest attention to avoid any injuries.

DEVICE INSTALATION

Instalation, setting, rebuilding for another gas type, putting into operation must be done by qualifi ed person whois competent for this and according to the valid standards. The device can be instalated in good ventilated room. When it is possible place the device under the fumehood to suck off the products of combustion. Air needy to the burning is $2m^3/h/kW$ ot the performance of the instaled device. The device can be instalated separately or in a set with devices of our production. Min. distance 10 cm from other subjects must be kept.It is also necessary to prevent our product from contact with combustible materials. In this case you must make corresponding changes to secure heat izolation of combustible parts (for example:place between the device and combustible material azbestos plate).

INSTRUCTION FOR USE

Attention!

Before the first use of the device wash the device with water containing detergent and than dry with the cleaning cloth. Never leave the device on without supervision!!!

Comments and recommendation

Switch on by main switch (D), turn the knob (A) and adjust required performance. Pilot lamps (B) and (C) will light. Pilot lamp (B) lights when the device is connected to the electricity. Pilot lamp (C) lights when the heating spirals are on. Pilot lamp (C) goes out when the device reaches adjusted temperature. Switch the device off by turning the knob (A) into position „0“ and switch off the main switch (D).

If the main switch is ON, it is backlit (indicating that the appliance is live). The table version of the grill is not provided with a backlit switch but with an indicator.

Water container:

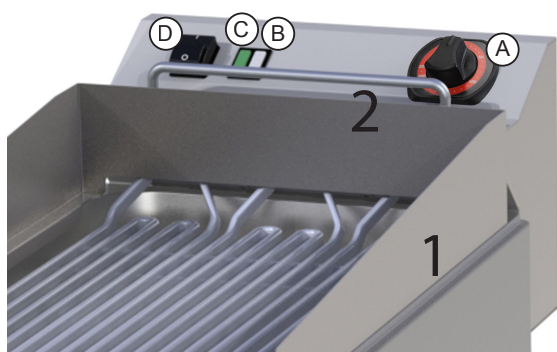
Check the container regularly and fill in the water in time. The container must be cleaned every time when you switch the appliance OFF. It is recommended to fill the container to the half of its capacity.

Maintenance

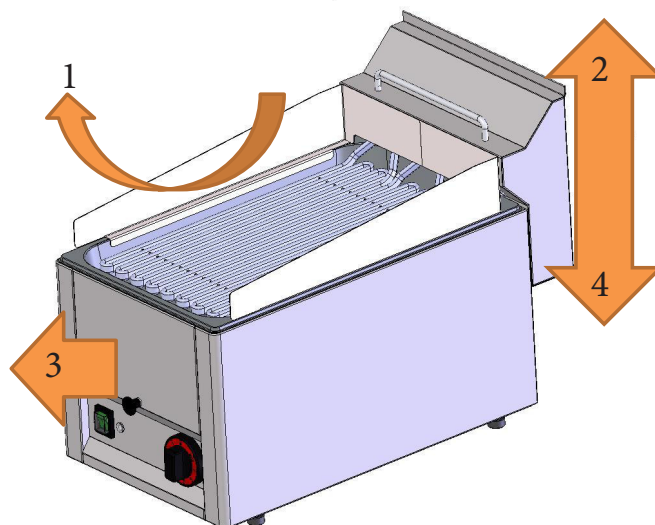
We recommend to have the device checked once a year by the professional service. Only qualified or competent persons can do interventions in the product.

Comments and recommendation

Use the device only under supervision.



- 1) Remove the cover from the spraying unit
 - 2) Use the handle to slightly pull the electric box out (watch for an audible click when the mechanic arrest reaches its blocking position)
 - 3) To return the electric box back in its operating position, slightly pull the round handle out (pos. 3) and push the electric box backwards in its operating position (pos. 4)
 - 4) Put the cover of the spraying unit back in its position
- Note: in the table version of the grill, remove the electric box in the same manner as in deep fryers.



CLEANING AND MAINTENANCE

ATTENTION! The device cannot be cleaned by direct or pressure water. Clean it daily. Daily maintenance keeps longer useful life and efficiency of the device. Before cleaning make sure to have disconnected the device from electricity. Always switch off the main feeder to the device. Stainless parts wash with moist cleaning cloth and non abrasive detergent than dry it by the cloth. Do not use abrasive and corrosive detergents. All food residues must be removed from the surface, you can use scraper.

- **Fill the water container only to its half capacity.**
- **Never refill the water in the container while the appliance is in operation.**
- **Never put ice or frozen foodstuff onto the bodies.**
- **At the end of the operation, let the bodies heat for another 10 minutes at maximum temperature (without foodstuff) to allow the remainders of the foodstuff get burned.**
- **When you finish cooking, disconnect the appliance from the mains.**
- **Use a copper brush to remove remainders of the foodstuff. Never use a steel brush or knives as they could damage the heating body.**
- **At all times, avoid contact of electric parts with water.**

WHAT TO DO IN CASE OF BREAK-DOWN

Switch off the electric feeder and call seller's professional service.

INDICATION

Guarantee does not cover all consumption parts succumable to common wear (rubber seals, bulbs, glass and plastic parts etc.). The guarantee does not refer to the devices which were not installed in correspondence with instructions - by qualified worker, in conformity with standards and when somebody handled incompetently the device (interventions into inner equipment) or the device was operated by non qualified staff or at variance with instructions for use. Guarantee does not also cover the damages caused due to influence of nature or other outer intervention.

DIE NORMENÜBEREINSTIMMUNGSDEKLARATION

Der Produzent erklärt, daß die Geräte in einer Übereinstimmung mit den Vorschriften der 2014/35/EU, 2014/30/EU dem Gesetz Nr. 118/2016 sb., 117/2016 sb. der Sammlung und zugehörigen Regierungsverordnungen stehen. Die Installation muss mit der Absicht auf geltende Normen durchgeführt werden. Vorsicht, im Falle einer direkten oder indirekten Beschädigung, die sich auf falsche Installation, unrichtigen Eingriff oder Anpassungen, ungenügende Instandhaltung, unrichtige Verwendung beziehen, und welche eventuell durch andere Ursachen, als in Punkten der Verkaufsbedingungen angeführt ist, so verzichtet der Importeur auf jegliche Verantwortung. Dieses Gerät ist nur für fachliche Verwendung bestimmt und muß durch qualifizierte Person bedient werden. Teile, die nach der Einstellung durch den Hersteller oder durch befugte Person gesichert wurden, dürfen vom Benutzer keineswegs umgestellt werden.

DIE TECHNISCHEN DATEN

Das Schild mit technischen Angaben ist auf der Rückseite des Gerätes angebracht. Studieren sie vor der Installation das elektrische Schema der Einschließung und alle folgende Informationen durch.

MODEL	SPANNUNG (V / HZ)	ANSCHLUSSWERT (KW)	ABMESSUNG (CM)
GV-30 E	230 / 50-60	3,3	33 x 62 x 32 v
GV-30 EL	230 / 50-60	3,3	33 x 62 x 42 v
GV 30 ET	400 / 50-60	4	33 x 62 x 32 v
GV 30 ELT	400 / 50-60	4	33 x 62 x 42 v

DIE VERPACKUNGS-, UND VORRICHTUNGSKONTROLLE

Die Vorrichtung verlässt unsere Lager in ordentlicher Verpackung, auf deren die entsprechenden Symbole und Bezeichnungen stehen. In der Verpackung befindet sich entsprechende Bedienungsanweisung. Falls die Verpackung eine schlechte Behandlung oder Anzeichen der Beschädigungen vorweist, muß dieses sofort beim Transporteur reklamiert werden und zwar durch Unterzeichnung eines Schadensprotokolles.

Wichtige Hinweise

-Das Erzeugnis ist nur zur Verwendung im Innenraum bestimmt.

Verwenden Sie den Verbraucher nie, wenn die Speisezuleitung oder der Stecker beschädigt sind, das Gerät nicht richtig arbeitet, ist auf den Boden gefallen und hat sich beschädigt oder ist ins Wasser gefallen. Bringen Sie in solchen Fällen den Verbraucher zu einem Fach-Kundendienst zur Überprüfung seiner Sicherheit und richtiger Funktion.

- Nur für professionellen Verbrauch geeignet
- Diese Bediennungsanleitung muss ordentlich und bedächtig gelesen werden, weil sie wichtige Informationen über Sicherheitsmerkmale, Installation und Anwendung beinhaltet
- Diese Empfehlungen beziehen auf diesen Produkt
- Der Produkt entspricht geltenden Normen
- Diese Anleitung muß ordentlich für die zukünftige Verwendung hinterlegt werden
- Hindern Sie den Kinder an Vorrichtungsm Manipulation
- Beim Verkauf oder Verlegung ist es notwendig sich zu überzeugen, daß die Bedienstperson oder Fachservis sich mit der Beherrschung und Installationsanweisung in beiliegender Anleitung, anvertraut gemacht haben.
- Das Produkt darf nur eingeschulte Bedienung bedienen
- Das Produkt darf nicht ohne Aufsicht ins Betrieb gesetzt sein
- Es ist empfohlen, minimal einmal pro Jahr eine Fachkontrolle durchführen zu lassen
- Bei eventueller Reparatur der Teilenumtauschungen müssen ausschließlich Originalteile angewendet werden

DIE PLATZIERUNG

Es ist unbedingt notwendig, zu der Regulation der Gerätetätigkeit, daß das Milieu - der Küche -, wo das Gerät installiert wird, sehr gut belüftbar ist (im Hinblick darauf: sei der Techniker sich mit geltenden Normen (EN) richtet). Wenn die Einrichtung so plaziert wird, daß sie im Mobiliarwandkontakt stehen wird, so müssen diese einer Temperatur von 90°C widerstehen. Die Installation, Herrichtung, Inbetriebnahme müssen durch qualifizierte Person, die zu solchen Vorkehrungen eine Befugnis hat und dies laut geltenden Normen nach, durchgeführt werden.

Packen Sie das Gerät aus und kontrollieren Sie , ob sich das Gerät während des Transportes nicht beschädigt hat. Platzieren Sie das Gerät auf eine waagrechte Fläche (maximale Unebenheit bis 2°). Stellen Sie das Gerät unter den Haubenabzug, damit Sie die Wasserdämpfe und den Geruch eliminieren. Das Gerät kann selbständig oder in einer Reihe mit Geräten unserer Herrstellung installiert werden. Es ist notwendig die minimale Entfernung von 10 cm zu anderen Gegenständen einzuhalten, so dass die Wärmeisolierung der brennbaren Teilen gewährleistet wird.

Das Gerät kann selbständig oder in einer Reihe mit Geräten unserer Herrstellung installiert werden. Es ist notwendig die minimale Entfernung von 10 cm zu anderen Gegenständen einzuhalten, so dass die Wärmeisolierung der brennbaren Teilen gewährleistet wird.

TECHNISCHE HINWEISE ZUR INSTALLATION UND REGELUNG

Wichtig:

Zur Benützung AUSSCHLIEßLICH nur für spezialisierte Techniker
Instruktionen, die folgen, wenden sich an den Techniker, der für die Installation qualifiziert ist, damit er alle Operationen mit der korrektesten Weise und laut der gültigen Normen durchführt.

Wichtig

Jeweils irgendeine Tätigkeit, die mit der Regulation verbunden ist u.ä, muß nur mit der aus dem Netz ausgezogenen und abgeschalteten Einrichtung vollgezogen sein.

Solange das Gerät unter der Spannung notwendig zu halten ist, eine höchste Vorsicht zu beachten vorliegt.

DIE SICHERHEITSVORRICHTUNGEN AUS DER SICHT DES FEUERSCHUTZES LAUT EN. 061008 ČL. 21

Die Einrichtungsbedienung dürfen nur Erwachsene ausführen

- Das Gerät darf sicher in gewöhnlicher Umgebung laut EN 332000-4-482; EN 332000-4-42 verwendet werden.
- Es ist notwendig das Gerät so platzieren, daß es auf einer unbrennbaren Grundlage steht oder hängt.
- Es dürfen, auf und in eine Entfernung, die kleineremase als sicher vom Gerät bezeichnet wird, keine Gegenstände aus brennbaren Materilien (die kleinste Entfernung vom Brennbarem ist 10 cm) aufgestellt werden.
- Die sicheren Entfernungen von Massen der einzelnen Brenngra

Tabelle:

Baumassefeuerbrenngrad ins Brenngrad (EN) der Massen und Produkte eingegliedert

A	Unbrennbar	Granit, Sandstein, beton, Ziegel, Keramikbekleidung, Putz
B	nicht einfach brennbar	Akumin, Heraklit, Lihnos, Itaver
C1	schwer brennbar	Holz, Laubbaum, Furnier Sirkoklit, Festpapier, Umakart
C2	mittel brennbar	Holzspanplatten, Solodur, Korkplatten, Hartgummi, Bodenbeläge
C3	leicht brennbar	Holzfaserplatten, Polystyren, Polyureten, PVC

Die Bedarfsartikel müssen sicher installiert werden und sind mit regulierenbaren Beinchen - zur Ausgleichen der Höhe und der Unebenheiten eingestattet.

Die Geräte müssen in einer sicheren Weise installiert werden. Bei der Installation müssen weiter betreffende Projekt-, Sicherheits-, und Hygienevorschriften respektiert werden.

- EN 06 1008 Feuerschutz der örtlichen Geräte und der Wärmquellen
- EN 33 2000 (33 2000-4-482; 33 2000-4-42) Umgebung für elektrische Geräte
- Gasversorgung -Gasleitungen in Gebäuden - Höchste Verkehrsdruck ≤ 5 BarVerkehrsansprüche,
- § 10 des Gesetzes Nr.185/2001 Sb., der Abfälle betrifft.

DER ELEKTRISCHE KABELNETZANSCHLUSS

Die Installation der elektrischen Ankupplung - Diese Zuleitung muß selbstständig gesichert werden. Und das durch entsprechende Sicherung des Nennstromes in der Abhängigkeit am Anschlußwert des installierten Gerätes. Kontrollieren sie den Anschlußwert des Apparates auf dem Produktionsschild im Hinterteil des Gerätes. Schließen Sie das Gerät direkt ans Netz an.

Es ist unbedingt notwendig zwischen das Gerät und das Netz einen Schalter zu legen, der eine minimale Entfernung von 3mm unter den Einzelkontakten aufweist und der auch den geltenden Normen und Belastungen entspricht. Die Erdungszuleitung (gelbgrün) darf nicht durch diesen Schalter unterbrochen sein.

Der Zuleitungskabel muß in jedem Fall so angebracht sein, dass er in keinem Punkt einer um 50°C höherer Temperatur als Umgebungstemperatur nicht erreicht. Eher das Gerät ans Netz angeschlossen wird, versichern Sie sich, dass:

- die Zuleitungssicherung und die Innenscheidung die Einrichtungsbelastung ertragen (siehe Matriceschild),
- die Verteilung mit wirksamer Erdung laut Normen (EN) und Gesetzbedingungen ausgestattet ist

WIR VERZICHTEN AUF JEDLICHE VERANTWORTUNG IM FALLE, DASS DIESE NORMEN NICHT RESPEKTIERT WERDEN UND IM FALLE DER NICHTEINHALTUNG DER OBENERWÄHNTER GRUNDSÄTZE.

Es ist notwendig die Schutzfolie vor der ersten Benützung zu beseitigen, sowie das Gerät zu reinigen siehe das Kapitel „Reinigung und Instandhaltung“.



-Führen Sie den Stecker der Speisezuleitung in die el. Steckdose und ziehen ihn aus der el. Steckdose mit nassen Händen und durch Ziehen der Speisezuleitung nicht!

-Verwenden Sie keine Verlängerungskabel oder Kombisteckdosen.

GEBRAUCHSANWEISUNG

Vorsicht!

Bevor Sie das Gerät verwenden werden, ist es notwendig ihn gut mit feuchtem Waschlappen abzuwaschen. Lassen Sie nie das Gerät ohne Aufsicht im Betrieb.

Nach jeder Gerätereinigung müssen Sie die Grillplatten mit Pflanzenöl aufreiben.

Behälter für Ölsammlung

Es ist wichtig den Behälter regelmässig zu kontrollieren und diesen auch beizeeitig ausleeren. Den Behälter müssen nach jeder Gerätausschaltung reinigen.

Die Bemerkungen und Empfehlungen

Schalten Sie mit dem Hauptschalter (D), drehen Sie mit dem Beherrschenrädchen (A) und stellen Sie die verlangte Temperatur ein. Die Kontrollleuchten (B) und (C) werden scheinen. Die Kontrolllampe (B) scheint, wenn das Gerät unter Elektrostrom steht. Die Kontrolllampe (C) scheint, wenn die Heizkörperspiralen im Gange sind. Die Kontrolllampe (C) erlischt, wenn das Gerät auf die gewünschte Temperatur geheizt ist. Das Gerät schalten Sie so aus, wenn Sie das Beherrschenrädchen (A) in die Lage „0“ umdrehen und mit dem Hauptschalter (D) ausschalten.

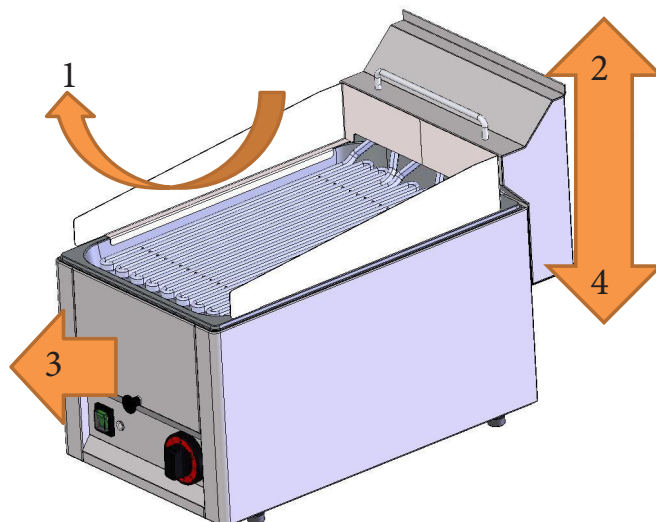
Der Hauptschalter ist als Leuchtschalter ausgeführt (dieser dient der Anzeige, ob das Gerät unter Spannung ist). Tischversion des Grills verfügt über keinen Leuchtschalter, diese ist jedoch mit einer Kontrollleuchte versehen.

Wasserbehälter:

Der Wasserbehälter sollte regelmäßig überwacht und rechtzeitig mit dem Wasser nachgefüllt werden. Der Wasserbehälter muss nach jeder Ausschaltung des Verbrauchers gespült werden. Es ist optimal, den Wasserbehälter bis Hälfte seines Volumens zu füllen.



- 1) Deckel der Sprühvorrichtung entnehmen
- 2) Mit dem Griff das Elektrokästchen herausziehen, bis die Sicherung der Stellungsverankerung einrastet
- 3) Um das Elektrokästchen in die Betriebsstellung wieder zu bringen, ist der Rundgriff (Pos. 3) herauszuziehen und das Elektrokästchen wieder in die Betriebsstellung (Pos. 4) zu drücken.
- 4) Deckel der Sprühvorrichtung wieder ansetzen; Anmerkung: bei der Tischversion des Grills Elektrokästchen auf gleiche Weise wie bei Fritteusen entnehmen.



INSTANDSHALTUNG

Es ist empfohlen mindestens einmal pro Jahr das Gerät durch einen fachlichen Servicedienst warten zu lassen. Alle Eingriffe in das Gerät darf nur eine qualifizierte Person durchführen, die zu solchen Handlungen eine Befugnis besitzt.

Bemerkung und Empfehlung

Benützen Sie das Gerär nur unter ständigen Aufsicht.

- **Wasserbehälter nur bis Hälfte des Volumens nachfüllen**
- **Wasser niemals während der Speisenzubereitung in den Behälter nachfüllen**
- **Kein Eis oder keine eingefrorenen Lebensmittel auf die Heizkörper ablegen**
- **Nach dem Abschluss der Speisenzubereitung auf Maximum eingeschaltete Heizkörper noch 10 Minuten (ohne Lebensmittel) brennen lassen. Die Speisenreste werden verbrannt.**
- **Gerät nach dem Abschluss der Speisenzubereitung vom Stromnetz trennen**
- **Um eventuelle Reste der Lebensmittel zu entfernen, kann eine Kupferbürste verwendet werden. Keine Stahlbürste oder Messer verwenden. Dies könnte Beschädigung des Heizkörpers zur Folge haben.**
- **Berührung der Elektroteile mit Wasser vermeiden.**

DIE REINIGUNG UND INSTANDSHALTUNG

ACHTUNG! Die Einrichtung darf nicht mit Direkt-, oder Druckwasserstrahl gereinigt werden. Reinigen Sie das Gerät täglich. Die Lebensdauer und Gerätewirkung wird durch die tägliche Wartung gewährleistet. Überzeugen Sie sich, vorm Reinigungsanfang, dass Sie die Einrichtung vom Elektrostrom abgeschaltet haben. Schalten Sie immer die Gerätehauptzufuhr ab. Waschen Sie die Edeltaile mit feuchtem Waschlappen, der im Waschpulver getauft ist und keine grobe Teilchen aufweist. Wischen Sie alles ins Trockene ab. Verwenden Sie keine abrasive- oder korrosionsreiche Reinigungsmitteln. Alle Speisenreste müssen von der Arbeitsplatte beiseitigt werden. Sie können eine Spachtel benützen. Nach jeder Gerätereinigung müssen Sie die Grillplatten mit Pflanzenöl aufreiben.

WIE MAN IM FALLE EINER STÖRUNG VORANGEHEN SOLL

DÉCLARATION DE CONFORMITÉ

Le fabricant certifie la conformité des appareils aux normes 2014/30/EU, 2014/35/EU à la loi n° 117/2016 sb., 17/2003 sb. et aux décrets applicables. L'installation doit être effectuée dans le respect des normes en vigueur. Attention: le fabricant décline toute responsabilité en cas de dommages, directs ou indirects, causés par une mauvaise installation, par une utilisation, des interventions ou des modifications impropres, par un entretien insuffisant, ainsi qu'en cas de dommages dérivant des causes mentionnées dans les conditions de vente. L'appareil objet de la présente notice est prévu pour un usage professionnel, aussi son utilisation doit-elle être confiée à un personnel possédant les compétences nécessaires à cet effet. L'utilisateur ne doit procéder à aucune intervention ni à aucune modification sur les parties réglées et protégées par le fabricant ou autre personnel autorisé à cet effet.

CARACTÉRISTIQUES TECHNIQUES

L'étiquette sur laquelle figurent les caractéristiques techniques est apposée sur la partie postérieure de l'appareil. Avant de procéder à l'installation, prendre connaissance du schéma électrique et de toutes les informations que contient la présente notice.

MODEL	TENSION (V / HZ)	PUISSANCE (KW)	DIMENSIONS TOTAL (CM)
GV-30 E	230 / 50-60	3,3	33 x 62 x 32 v
GV-30 EL	230 / 50-60	3,3	33 x 62 x 42 v
GV 30 ET	400 / 50-60	4	33 x 62 x 32 v
GV 30 ELT	400 / 50-60	4	33 x 62 x 42 v

CONTROLE DE L'EMBALLAGE ET DE L'APPAREIL

En vue de son transport, l'appareil quitte les établissements du fabricant parfaitement emballé (sur l'emballage sont apposés les étiquettes et les symboles nécessaires à cet effet). L'emballage contient également la notice des instructions d'utilisation. Dans le cas où l'emballage présenterait des dommages ainsi que dans le cas où il s'avérerait qu'il a été manipulé sans les précautions nécessaires, il est impératif d'adresser sans attendre une déclaration au transporteur en y joignant une acceptation de la marchandise sous réserve.

Recommandation importante:

-Le produit est destiné uniquement à un usage intérieur.

N'utilisez jamais cet appareil si le cordon ou la fiche sont endommagés, si l'appareil fait défaut, s'il a été échappé ou endommagé ou immergé. Dans ce cas, retournez cet appareil au centre service autorisé pour examen.

- Pour usage professionnel seulement
- La présente notice des instructions d'utilisation et d'entretien contient d'importantes informations relatives à la sécurité, à l'installation et à l'utilisation; il est nécessaire d'en effectuer attentivement la lecture.
- Les recommandations se réfèrent à l'appareil objet de la présente notice.
- L'appareil est conforme aux normes en vigueur.
- Veiller à bien conserver la notice de telle sorte qu'elle puisse être consultée à tout moment en cas de besoin.
- Ne pas laisser des enfants s'approcher de l'appareil durant son utilisation.
- Pendant la vente ou après le déménagement de l'appareil vérifier que le personnel lise attentivement la présente notice d'utilisation
- L'appareil ne peut être utilisé que par le personnel instruit
- L'appareil ne peut être laissé en marche sans surveillance
- Il est recommandé de faire l'appareil contrôler au moins une fois par an dans un service spécialisé
- Ne pas utiliser que des pièces détachées originelles.
- En cas de défaut ou de mauvaise fonction, débrancher l'appareil (eau, gaz, électricité) et appeler un service spécialisé
- Le fabricant décline toute responsabilité en cas de dommages, directs ou indirects, causés par une mauvaise installation, utilisation , etc

LA LOCATION

Le local dans lequel l'appareil est installé doit être bien ventilé. Si l'appareil doit toucher le parois , celui-ci doit résister à la chaleur de 90°C au minimum. L'installation, le réglage et la mise en marche doivent être effectués par une personne qualifiée ayant une autorisation nécessaire selon les normes en vigueur.

Déballer l'appareil et vérifiez s'il n'était pas endommagé pendant le transport. Placez l'appareil sur une surface horizontale (pente maximale de 2°). Placez l'appareil sous une hotte pour éliminer la vapeur et mauvaise odeur.

L'appareil peut être installé seul ou en série avec d'autres appareils de notre fabrication. Il faut respecter la distance minimale de 10 cm entre l'appareil et d'autres objets ainsi qu'éviter le contact avec les matériaux inflammables. Dans ce cas il faut prévoir les arrangements nécessaires pour assurer la protection des parties inflammables.

INSTRUCTIONS TECHNIQUES POUR INSTALLATION ET REGLEMENT

Important:

Le fabricant ne fournit pas de garantie pour les défauts causés par l'usage, tout manquement impropre aux instructions contenues dans les instructions ci-jointes pour l'utilisation et aux mauvais traitements des appareils.

Installation, réglage et réparation d'appareils pour les cuisines, ainsi que leur élimination en raison de dommages possibles au gaz peut être effectuée qu'en vertu d'un contrat de maintenance, ce contrat peut être signé avec un distributeur agréé, et doivent être conformes à la réglementation technique et normes et réglementations concernant l'installation, l'alimentation, de raccordement de gaz et de la santé et la sécurité du système.

Ces instructions sont destinées au technicien qualifié qui doit effectuer l'installation, le mettre en marche et tester l'appareil.

Toute activité en tant que paramètres, le placement, le rééquilibrage etc, doit être faite que lorsqu'il est périphérique déconnecté de l'électricité. Si il est nécessaire d'avoir le périphérique connecté à l'électricité, vous devez garder la plus grande attention afin d'éviter toute blessure.

MÉSURES DE SÉCURITÉ POUR LA PROTECTION CONTRE INCENDIE SELON EN 06 1008 ARTICLE 21:

- l'appareil ne peut être utilisé que par des personnes majeures
- l'appareil peut être utilisé dans un espace ordinaire selon EN 332000-4-482; 332000-4-42
- l'appareil doit être placé ou suspendu d'une manière stable sur une surface ininflammable

Il est interdit de placer sur l'appareil ou dans la distance inférieure à 10 cm de l'appareil des objets inflammables.

- les distances de sécurité pour les matériaux inflammables selon leurs degré d'inflammabilité et les informations sur l'inflammabilité des matériaux de construction – voir le tableau

Tableau:

degré d'inflammabilité d'un matériel de construction (EN 730823)

A ininflammables	granit, grès, béton, briques, carrelage céramique, enduit
B difficilement inflammables	acumin, héraclite, lihnos, itaver
C1 mal inflammables	bois des arbres feuillus, contre-plaqué, papier durci, umakart
C2 inflammabilité moyenne	aggloméré, solodur, liège, caoutchouc, revêtements
C3 inflammabilité facile	planches de fibre de bois, polystyrène, polyurethane, PVC

L'appareil doit être installé d'une manière sûre. Pour l'ajustage de l'appareil est ce-ci procuré des pieds réglables.

- EN 06 1008 protection contre incendie des consommateurs d'énergie locaux et des émetteurs de chaleur
- EN 33 2000 (33 2000-4-482; 33 2000-4-42) le milieu pour les appareil électriques

BRANCHEMENT ÉLECTRIQUE

Installation de prise de courant – La prise de courant doit avoir un coupe-circuit indépendant en dépendance de puissance fournie de l'appareil. Vérifiez la puissance de l'appareil sur la plaque des caractéristiques techniques.

Branchez l'appareil directement au réseau, il faut mettre un interrupteur entre le réseau et l'appareil, son ouverture de contacts étant 3 mm au minimum. Câble de terre (vert-jaune) ne peut pas être interrompu par cet interrupteur. En tout cas, le câble de prise de courant doit être placé de telle manière que sa température ne dépasse jamais la température du milieu de plus que 50°C. Avant le branchement au réseau, s'assurer que :

- le coupe-circuit et distribution intérieure peuvent endurer la charge de l'appareil (voir la plaque)
- la mise à la terre fonctionne selon les normes en vigueur (EN) et selon la loi
- la prise ou l'interrupteur de circuit sont faciles d'accès

Le fabricant rénonce à toute responsabilité en cas que les normes ne seront pas respectés ainsi qu'en cas de dérogation des règles mentionnés ci-haut.

Avant la première utilisation, il faut retirer le film de protection et nettoyer l'appareil – voir chapitre « nettoyage et entretien ».

Entretien:

Il est recommandé de faire contrôler l'appareil dans un service spécialisé au moins une fois par an. Toutes les interventions peuvent être effectuées seulement par une personne qualifiée ayant une autorisation pour ces interventions.



-N'introduisez pas la fiche du cordon dans la prise de courant et ne débranchez pas l'appareil de la prise électrique si vos mains sont mouillées ou en tirant sur le cordon électrique !

-N'utilisez pas de rallonge ou de multiprise.

MODE D'EMPLOI

Avant la 1ère mise en route retirer la feuille de protection. Nettoyer toutes les surfaces à l'aide d'un chiffon doux, d'eau tiède et d'un détergent, de façon à éliminer les produits antirouille appliqués durant la fabrication et essuyer ensuite l'appareil à l'aide d'un chiffon propre.

Tiroir récupérateur de graisse

Il faut contrôler ce récipient régulièrement et le vider à temps. Le récipient doit être nettoyé après chaque débranchement de l'appareil.

OBSERVATIONS ET RECOMMANDATIONS

Actionner l'interrupteur général (D) et positionner le bouton du thermostat (A) sur la température souhaitée. Les voyants (B) et (C) seront allumés. Le voyant (B) est allumé quand l'appareil est sous le courant électrique. Le témoin (C) est allumé si les résistances sont en marche. Le voyant (C) s'éteint aussitôt que la plaque est échauffée à la température ajustée. Pour débrancher l'appareil, rendre le bouton du thermostat (A) dans la position „0“ et débrancher l'interrupteur (D).

Récipient à eau :

Le récipient doit être régulièrement contrôlé et le niveau d'eau doit être complété à temps. Nettoyez le récipient à chaque fois que vous éteignez l'appareil. L'idéal est de remplir le récipient jusqu'à la moitié de son volume.

Récipient à eau :

Le récipient doit être régulièrement contrôlé et le niveau d'eau doit être complété à temps. Nettoyez le récipient à chaque fois que vous éteignez l'appareil. L'idéal est de remplir le récipient jusqu'à la moitié de son volume.



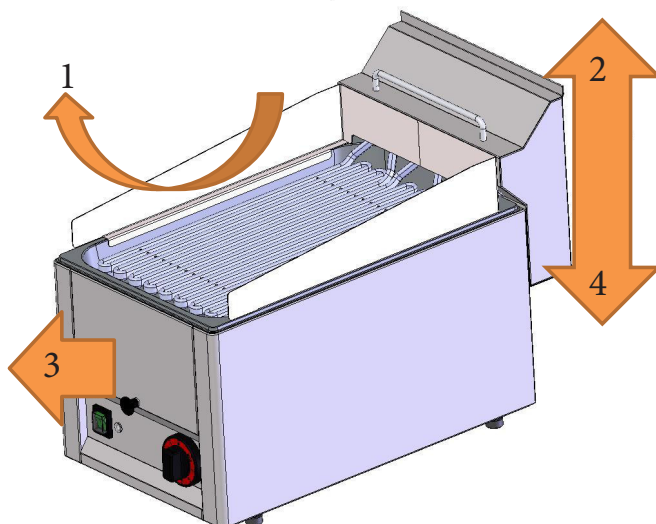
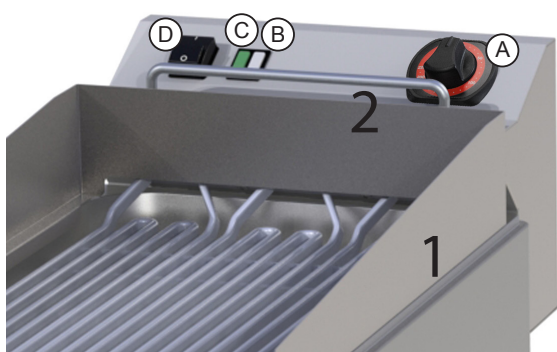
1) retirez le capot de la pulvérisation

2) utilisez les poignées pour tirer le boîtier électrique jusqu'à engagement de la sécurité de position

3) pour remettre le boîtier électrique dans sa position de travail, tirez la poignée ronde (pos. 3) et repoussez le boîtier électrique dans sa position de travail (pos. 4)

4) repositionnez le capot de la pulvérisation

Rem. : pour le gril de table, retirez le boîtier électrique de la même façon que sur une friteuse.



NETTOYAGE ET ENTRETIEN

ATTENTION! Le nettoyage au jet d'eau ou sous pression n'est pas autorisé.

Nettoyer l'appareillage tous les jours. Le nettoyage quotidien prolonge la durée de service et l'efficacité d'appareillage. Avant d'effectuer toute entretien, il faut débrancher l'appareil du réseau électrique. Les parties en inox doivent être nettoyées avec un chiffon humide, à l'aide d'un détergent liquide, non abrasif et ensuite être bien essuyées. Pour éliminer les reliefs du plan de travail, il est possible d'utiliser une spatule.

Comment procéder en cas d'une panne

Débrancher la prise du cordon secteur et contacter le service après-vente du revendeur.

MAINTENANCE

Il est conseillé de faire contrôler l'appareil au moins une fois par an par un service spécialisé. Tous les interventions dans l'appareil peuvent être effectuées uniquement par une personne qualifiée, possédant l'autorisation à telles opérations

AVERTISSEMENT

La garantie ne couvre pas de pièces soumises à l'usure normale (étanchements en caoutchouc, lampes, pièces plastiques et en verre, etc.) ainsi que l'appareillage dont l'installation n'a pas été exécuté conformément à la mode d'emploi, par une personne qualifiée et conformément aux normes correspondantes. La garantie ne couvre pas de dommages causés par une manipulation non autorisée (interventions dans l'appareillage intérieure) ou si l'appareil était servi par des personnes non qualifiées et/ou en cas de non-respect des instructions du manuel d'utilisation. La garantie ne couvre pas de dégâts causés par des actions naturelles ou par d'autres influences extérieures.

- **Ne remplissez le récipient à eau que jusqu'à la moitié de son volume**
- **Ne complétez jamais le niveau d'eau du récipient pendant l'utilisation**
- **Ne posez jamais de glace ou d'aliments surgelés sur la résistance**
- **Après utilisation, laissez la résistance allumée au maximum pendant 10 minutes (sans aliments). Cela permet de brûler les résidus d'aliments.**
- **Débranchez enfin l'appareil du réseau**
- **Vous pouvez utiliser une brosse en cuivre pour supprimer les restes d'aliment. N'utilisez pas de brosse métallique ou de couteau car cela pourrait endommager la résistance.**
- **Empêchez toujours les parties électriques d'entrer en contact avec l'eau.**

DE VERKLARING VAN OVEREENSTEMMING MET DE NORMEN

De fabrikant verklaart dat de apparaten voldoen aan de basiseisen van de richtlijn 2014/30/EU (verordening van de regering nr. 117/2016 Coll.) en de eisen van de richtlijn 2014/35/EU (verordening van de regering nr. 118/2016 Coll.).

Houd er rekening mee dat de fabrikant elke aansprakelijkheid afwijst in geval van directe of indirecte schade, die betrekking heeft op verkeerde installatie, niet correcte ingreep of aanpassingen, onvoldoende onderhoud en onjuist gebruik en die eventueel veroorzaakt zijn door andere oorzaken die gespecificeerd zijn in de afzonderlijke punten van de verkoopsvoorwaarden. Dit apparaat is uitsluitend bedoeld voor professioneel gebruik en moet worden bediend door gekwalificeerd personeel. Onderdelen die na afstelling door de fabrikant of een geautoriseerd persoon zijn beveiligd, mogen door de gebruiker niet gewijzigd worden.

Technische gegevens

Het typeplaatje met technische gegevens bevindt zich aan de zijkant of op de achterkant van het apparaat. Bestudeer het elektrische schema van het apparaat en alle onderstaande informatie, voordat u overgaat tot installatie van het apparaat.

PRODUCTTYPE	SPANNING (V/Hz)	ENERGIEVERBRUIK (KW)	AFMETINGEN APPARAAT (CM)
GV 30 E	230 / 50-60	3,3	33 x 62 x 32 v
GV 30 EL	230 / 50-60	3,3	33 x 62 x 42 v
GV 30 ET	400 / 50-60	4	33 x 62 x 32 v
GV 30 ELT	400 / 50-60	4	33 x 62 x 42 v

Controle van de verpakking en het apparaat

Het apparaat verlaat ons magazijn in een verpakking die voldoet aan alle voorschriften en waarop zich de vereiste symbolen en markeringen bevinden. In de verpakking bevindt zich de overeenkomstige gebruiksaanwijzing. Indien de verpakking beschadigd is of wijst op onjuist transport, dient u dit onmiddellijk te reclameren bij de transporteur door middel van ondertekening van een schadeprotocol. Latere indiening van klachten wordt niet in aanmerking genomen.

Belangrijke aanwijzingen

Lees deze gebruiksaanwijzing aandachtig en nauwkeurig door, omdat zij belangrijke informatie bevat over veiligheidsvoorzieningen, installatie en gebruik van het apparaat.

- Het product is alleen bedoeld om binnenshuis te worden gebruikt.
- Gebruik het apparaat nooit als de stroomtoevoer of stekker beschadigd is, als het niet juist werkt, het op de grond is gevallen en beschadigd of in het water is gevallen. Breng in dergelijke gevallen het apparaat naar een gespecialiseerde service om te controleren of het apparaat veilig is en correct werkt.
- Deze aanbevelingen zijn van toepassing op dit product of productlijn.
- Deze handleiding moet zorgvuldig bewaard worden voor toekomstig gebruik.
- Zorg ervoor dat kinderen het apparaat niet kunnen bedienen.
- Wanneer u hebt apparaat verkocht of verplaatst, zorg er dan voor dat de persoon die het apparaat bedient of er de service van doet, bekend is met het gebruik en de installatie-instructies in de bijgevoegde handleiding.
- Het product mag uitsluitend worden bediend door een persoon die bekend is met deze gebruiksaanwijzingen.
- Het ingeschakelde apparaat niet zonder toezicht laten werken.
- Wij bevelen aan om het apparaat minimaal 2x per jaar een gespecialiseerde controle en onderhoudsbeurt te geven.
- Gebruik uitsluitend originele onderdelen bij eventuele reparatie of vervanging van onderdelen.
- Het apparaat mag niet schoongemaakt worden met een waterstraal of een hogedrukreiniger.
- Bij storingen of wanneer het apparaat niet goed werkt alle leidingen (water, stroom, gas) afsluiten en contact opnemen met de geautoriseerde service.
- De producent is niet aansprakelijk voor storingen die zijn veroorzaakt door incorrecte installatie, het niet in acht nemen van bovengenoemde aanbevelingen, gebruik dat niet in overeenstemming is met de bestemming van het apparaat enz.
- Het apparaat mag alleen worden gebruikt voor het doel waarvoor het is bedoeld. Elk ander gebruik is verboden en kan leiden tot gevaar of letsel
- Er moet worden gezorgd voor de strengste naleving van de brandbeveiligingsregels
- Tijdens en kort na het bedrijf zijn sommige delen van het apparaat heet
- Het is verboden om tijdens de werking andere delen van het apparaat aan te raken dan de hiervoor bedoelde bedieningselementen

Plaatsing

De volgende richtlijnen in overeenstemming met de normen TPG G 704 01, ČSN 127040 en ČSN 127010 moeten in acht worden genomen voor de juiste werking en opstelling van het apparaat.

Pak het apparaat uit een controleer of het tijdens het transport niet is beschadigd. Plaats het apparaat op een horizontale oppervlakte (de maximale oneffenheid mag maximaal 2° bedragen). Kleine oneffenheden kunnen worden opgevangen met de stelvoeten.

Als het apparaat zodanig geplaatst is dat het in contact komt met de wanden van het meubilair, dan moeten deze bestand zijn tegen temperatuur tot 60 °C. Installatie, afstelling en inbedrijfstelling moet door een gekwalificeerd persoon uitgevoerd worden die bevoegd is voor deze handelingen in overeenstemming met de toepasselijke normen.

Het apparaat kan afzonderlijk worden geïnstalleerd of in serie met door ons geproduceerde apparaten. Er moet een minimale afstand van 10 cm tot brandbare materialen aangehouden worden. In dit geval is het ook noodzakelijk de nodige aanpassingen uit te voeren om de warmte-isolatie van de brandbare onderdelen te waarborgen.

Het apparaat mag alleen worden geïnstalleerd op een onbrandbare ondergrond of tegen een onbrandbare wand.

De kleinste vereiste luchtstroming vanuit de buitenruimte voor de apparaten van versie A ligt in het bereik van 5-20 m³/h, afhankelijk van het type apparaat. Het hangt af van de installatievoorschriften van het land van bestemming.

De door de fabrikant of zijn vertegenwoordiger beveiligde onderdelen van het apparaat mag de persoon die de installatie van het product doet, niet wijzigen.

Installatie

Belangrijk:

De fabrikant verleent geen garantie voor storingen die zijn ontstaan als gevolg van oneigenlijk gebruik, het niet in acht nemen van de instructies in bijgevoegde gebruikershandleiding en verkeerde hantering van het apparaat.

Installatie-, aanpassings- en reparatiewerkzaamheden op het apparaat voor grote keukens, evenals hun demontage als gevolg van mogelijke schade aan de gastoevoer, kunnen alleen worden uitgevoerd op basis van een onderhoudscontract. Dit contract kan met een geautoriseerde verkoper afgesloten worden, met inachtneming van de technische voorschriften en normen en voorschriften betreffende installatie, elektrische toevoerleidingen, gasaansluiting en arbeidsveiligheid.

Technische instructies voor installatie en afstelling zijn **UITSLUITEND** bestemd om door gespecialiseerde technici te worden gebruikt.

De volgende instructies zijn bestemd voor een technicus die de juiste kwalificaties bezit voor de installatie, om te verzekeren dat hij alle handelingen op de juiste manier en in overeenstemming met de geldende normen kan uitvoeren.

Iedere handeling die te maken heeft met onder andere regulatie, moet worden uitgevoerd terwijl het apparaat is losgekoppeld van de stroomvoorziening. Indien het apparaat toch onder spanning moet staan, dient u de grootst mogelijke voorzichtigheid in acht te nemen.

Het type apparaat voor de uitvoering van afzuiging staat vermeld op het typeplaatje, dit zijn de apparaten van het type A1.

Veiligheidsvoorzieningen in verband met brandpreventie conform ČSN 061008 art. 21

- het apparaat mag uitsluitend door volwassenen bediend worden
- het apparaat kan veilig gebruikt worden in overeenstemming van de volgende normen:
ČSN 33 2000-4-482: Brandbeveiliging in gebieden met een speciaal risico of gevaar
ČSN 33 2000-4-42: Bescherming tegen invloeden van warmte

- het apparaat moet zo worden geplaatst dat het stevig staat of hangt op een vuurbestendige ondergrond
Op of naast het apparaat mogen zich geen brandbare voorwerpen bevinden binnen de veilige afstand die voor het apparaat is vastgesteld (de kleinste afstand tot brandbare materialen bedraagt 10 cm).

Tabel: De mate van brandbaarheid van bouwmaterialen (ČSN 730823) weergegeven per substantie en product

Mate van brandbaarheid	Bouwmaterialen
A – niet brandbaar	Graniet, zandsteen, beton, baksteen, keramische bekleding, pleisterwerk
B – heel moeilijk brandbaar	Acuminiet, heracliet, lihnos, itaver
C1 – moeilijk brandbaar	Hout, loofhout, fineer, sirkoklit, verstevigd papier, umakart
C2 – gemiddeld brandbaar	Spaanplaat, solodur, kurkplaat, harde rubber, vloerbedekking
C3 – zeer brandbaar	Vezelplaat, polystyreen, polyurethaan, PVC

- Informatie over mate van brandbaarheid van gewone bouwmaterialen staan in de tabel hieronder. Installeer het apparaat op veilige wijze. Neem bij de installatie de voorschriften voor ontwerp, veiligheid en arbeidshygiëne in acht overeenkomstig:
 - ČSN 06 1008 brandveiligheid van lokale apparaten en warmtebronnen
 - ČSN 33 2000-4-482 brandbeveiliging in gebieden met een speciaal risico of gevaar
 - ČSN 33 2000-4-42 bescherming tegen invloeden van warmte

Aansluiting van de elektrische kabel op het elektriciteitsnet

De aansluiting op het elektriciteitsnet - de voedingskabel moet zelfstandig beveiligd worden. Namelijk door de toepassing van een zekering voor nominale stroom, afhankelijk van het aansluitvermogen van het geïnstalleerde apparaat. Controleer het aansluitvermogen van het apparaat op het typeplaatje dat zich op het achterpaneel (of zijkant) van het apparaat bevindt.

De aangesloten aardkabel moet langer zijn dan de andere kabels. Sluit het apparaat direct op het elektriciteitsnet aan. Het is absoluut noodzakelijk om tussen het apparaat en het elektriciteitsnet een schakelaar te monteren die minimaal 3 mm van het enkelvoudige contact is verwijderd en die voldoet aan de geldende normen en belastingen. De aardkabel (geelgroen) mag niet door deze schakelaar worden onderbroken. Als het apparaat bedoeld is voor aansluiting in het stopcontact, sluit dit aan op het elektriciteitsnet als het stopcontact van een overeenkomstige zekering voorzien is.

De voedingskabel moet dusdanig worden bevestigd, dat hij op geen enkel punt warmer kan worden dan 50 °C boven de omgevingstemperatuur. Voordat u het apparaat aansluit op het elektriciteitsnet moet u controleren of:

- de voedingszekering en de stroomverdeler de stroombelasting van het apparaat verdragen (zie het matrixplaatje),
- het distributiepaneel is uitgerust met een aarding volgens de normen (ČSN) en de wettelijke voorschriften
- het stopcontact of de schakelaar in de voeding goed bereikbaar zijn vanaf het apparaat
- elektrische voedingleiding naar het apparaat moet gemaakt zijn van oliebestendig materiaal

We zijn niet aansprakelijk wanneer deze normen en de bovengenoemde principes niet in acht worden genomen.

Maak voor het eerste gebruik het apparaat schoon, zie het hoofdstuk „Reiniging en onderhoud“. Het apparaat moet geaard worden met behulp van de schroef met een aardingsmarkering.

- Dit label geeft het aardingspunt van het apparaat aan
- Steek de stekker van de voedingskabel niet in het stopcontact en trek ze niet uit het stopcontact met natte handen en door aan de voedingskabel te trekken!
- Gebruik geen verlengsnoeren of blok contactdozen.
- Het aansluitpunt van het net moet maximaal de ondervermelde impedantie Z_{MAX} conform ČSN EN 61000-3-11:2001 hebben. $Z_{MAX} = 0,042 + j 0,026 \Omega$ voor fasegeleiders en $0,028 + j 0,017 \Omega$ voor nulgeleider



- Dit label geeft het risico van een elektrische schok aan

GEBRUIKSAANWIJZING

Opgelet! Voordat u het apparaat gebruikt, moet u de beschermende folie van het gehele oppervlak verwijderen, het vervolgens goed met water en afwasmiddel wassen en daarna met een vochtige doek afnemen.

Waterbak

Controleer de waterbak regelmatig en vul het tijdig bij met water. De waterbak moet na elke uitschakeling van het apparaat schoongemaakt worden. Het is optimaal om de waterbak tot de helft van het volume te vullen.

Schakel het apparaat met de hoofdschakelaar (D) in, het controlelampje (C) in de schakelaar geeft aan dat het apparaat is ingeschakeld. Draai de knop (A) en stel het gewenste vermogen in. De controlelampjes (B) en (C) branden. Het controlelampje (C) brandt als het apparaat onder stroom staat. Het controlelampje (B) brandt als de warmtespiralen in werking zijn.

Het controlelampje (B) gaat uit als het apparaat de ingestelde temperatuur heeft bereikt. Schakel het apparaat uit door de knop (A) naar de positie "0" te draaien, en daarna de hoofdschakelaar (D) uit te schakelen. Gebruik het apparaat uitsluitend onder continu toezicht.

De elektrische box is uitgerust met een veiligheidsmicroschakelaar die de stroomtoevoer onderbreekt als de box uit de werkpositie verwijderd wordt. Controleer bij het terugzetten van de box in de werkpositie of de microschakelaar op de lijst aan de achterkant van de behuizing zit. Als de microschakelaar niet goed zit, schakelt hij niet en blijft de grill buiten werking.

BESCHRIJVING VAN BEDIENINGSELEMENTEN

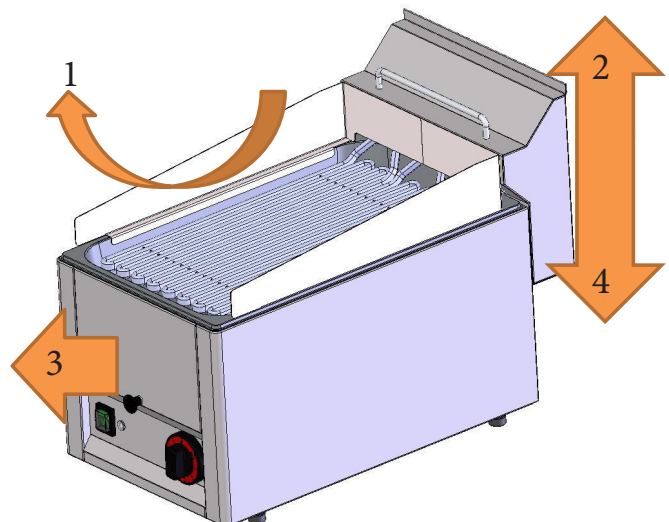
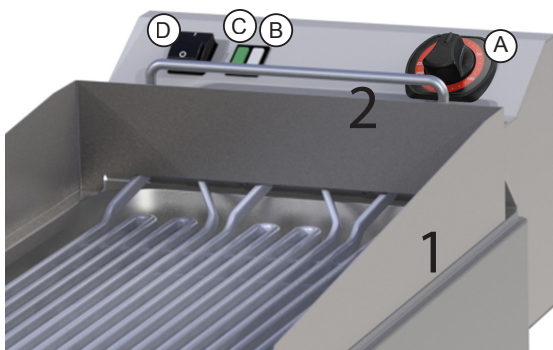
Bedieningsknop

Controlelampje verwarming

De verlichte hoofdschakelaar (geeft aan dat het apparaat onder stroom staat). De taferversie van de grill heeft geen verlichte schakelaar, maar wel een controlelampje.



- 1) verwijder de afdekking van de sproei-eenheid
- 2) gebruik het handvat om de el. box iets uit te schuiven tot u het vastklikken van de mechanische stop voor de blokkering van de positie hoort
- 3) om de el. box terug te zetten in de werkstand, trek de ronde hendel iets naar buiten (pos. 3) en duw de el. box terug in de werkstand (pos. 4)
- 4) plaats de afdekking van de sproei-eenheid terug. Bij de taferversie van de grill, verwijder de el. box op dezelfde manier als bij de friteuses.



REINIGING EN ONDERHOUD

Het apparaat moet ten minste 2x per jaar door een gespecialiseerde service gecontroleerd worden. Alle ingrepen aan het apparaat mogen slechts door een gekwalificeerd persoon worden uitgevoerd, die daartoe bevoegd is.

OPGELET! Het apparaat mag niet schoongemaakt worden met een directe waterstraal of met een hogedrukreiniger. Maak het apparaat elke dag schoon. Dankzij het dagelijks onderhoud bent u verzekerd van een lange levensduur en de efficiëntie van het apparaat. Controleer voordat u begint met schoonmaken of het apparaat is losgekoppeld van het elektriciteitsnet. Onderbreek altijd de stroomvoorziening van het apparaat. Maak de elementen van roestvrijstaal schoon met een vochtige doek en een klein beetje schoonmaakmiddel zonder schurende deeltjes en droog met een doek. Gebruik geen schurende of corrosieve schoonmaakmiddelen.

Opgelet! Voordat u het apparaat gebruikt, moet u de beschermende folie van het gehele oppervlak verwijderen, het vervolgens goed met water en schoonmaakmiddel wassen en daarna met een vochtige doek afnemen.

Maatregelen bij storingen Onderbreek de stroom-/gasvoorziening en neem contact op met de serviceafdeling van de verkoper.

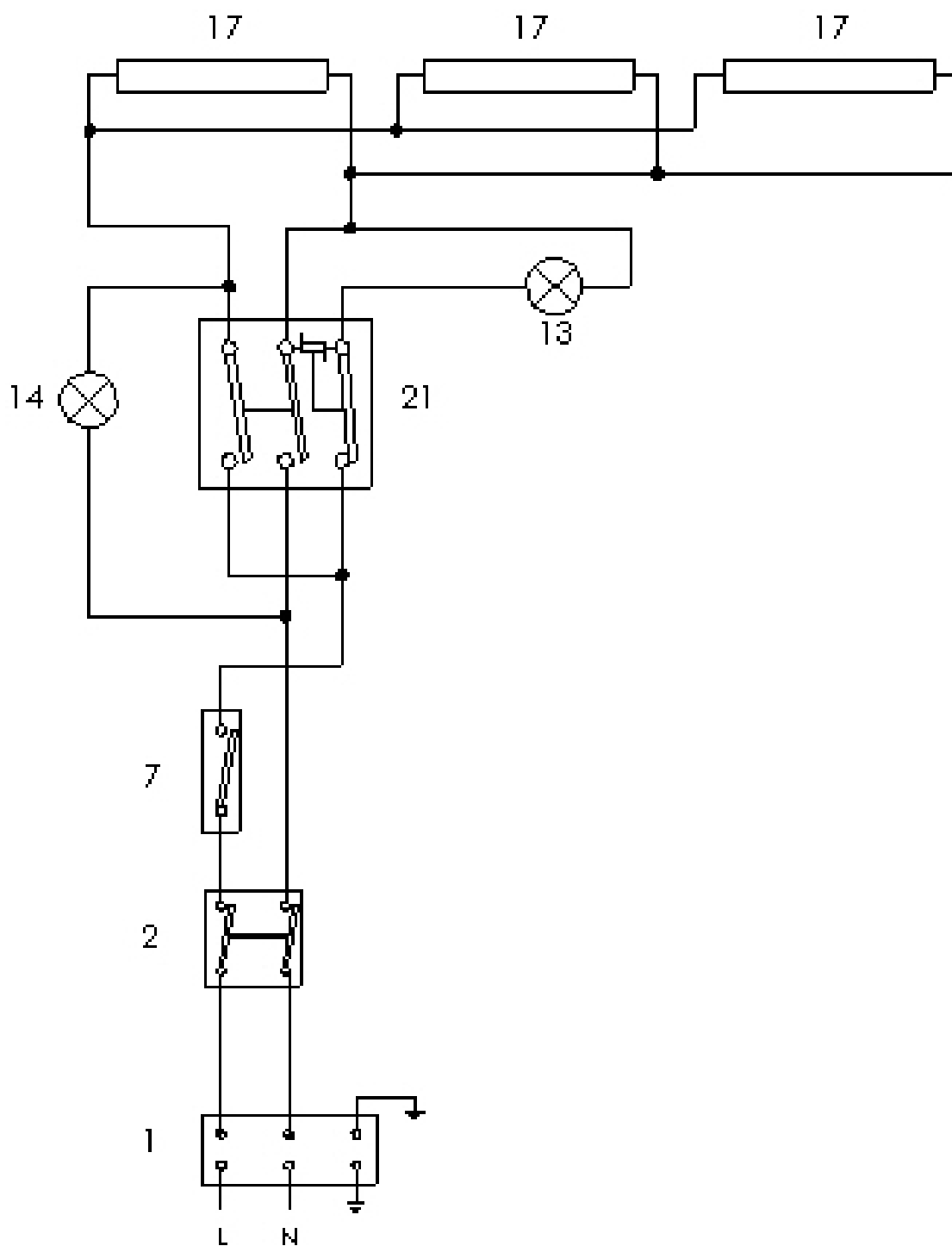
De garantie dekt niet alle verbruiksartikelen die onderhevig zijn aan normale slijtage (rubber dichtingen, lampjes, glazen en plastic onderdelen enz.). De garantie strekt zich ook niet uit over apparaten die niet zijn geïnstalleerd door bevoegde personen in overeenstemming met de instructies in de gebruiksaanwijzing en de van toepassing zijnde normen en indien het apparaat onjuist is behandeld (ingrepen in binnenapparatuur enz.) of indien het apparaat bediend is door ongetraind personeel en in de strijd met de gebruiksaanwijzing. Verder dekt de garantie geen schade veroorzaakt door natuurlijke verschijnselen of andere externe invloeden.

De transportverpakkingen en apparaten moeten aan het einde van hun levensduur aan een inzamelplaats overhandigd worden, in overeenstemming met de voorschriften voor afval en gevaarlijk afval beheer.

AANBEVELINGEN EN OPMERKINGEN:

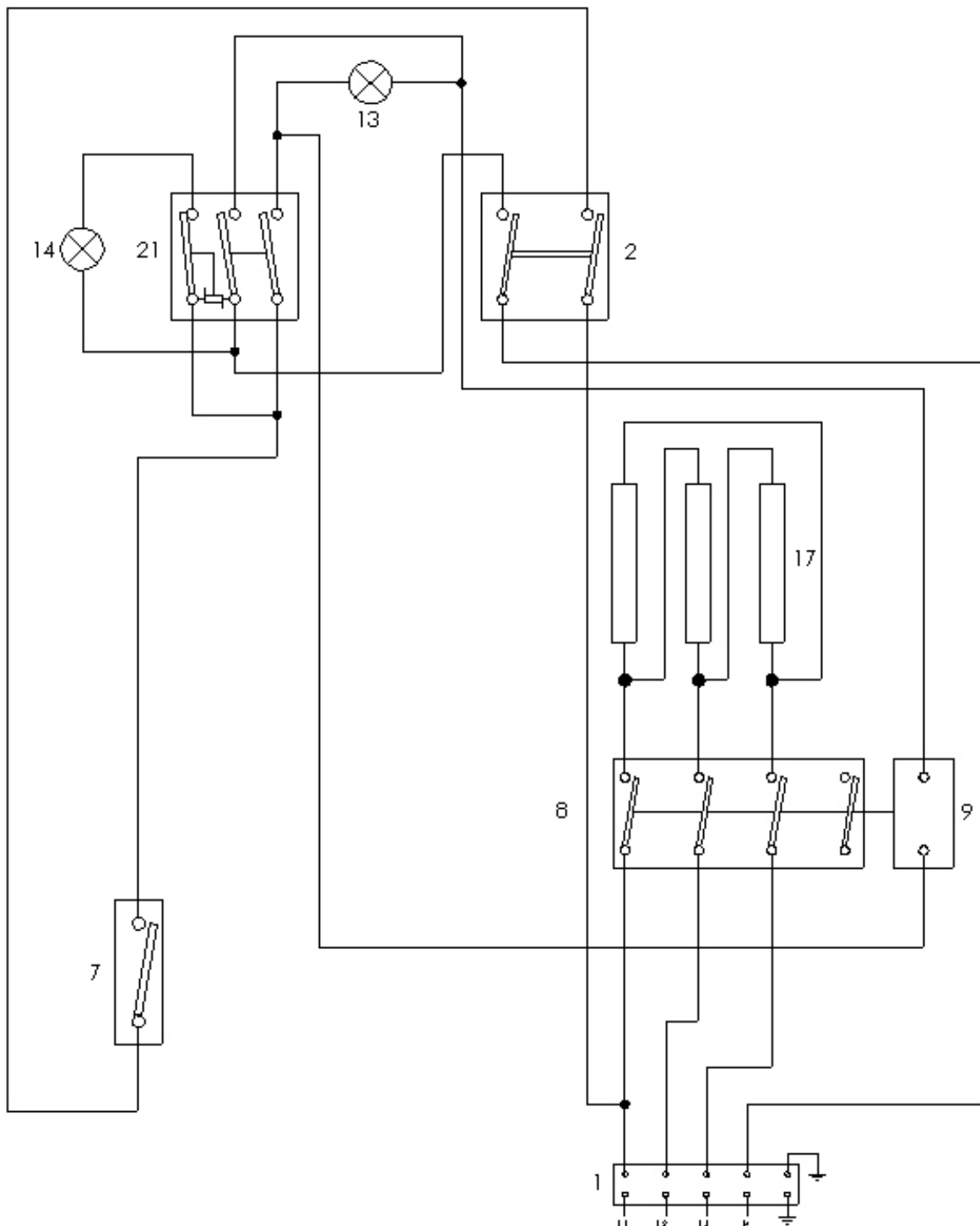
- Vul de waterbak maximaal tot de helft met water
- Voeg nooit water toe aan de bak als het apparaat in werking is
- Plaats geen ijs of bevroren voedingsmiddelen op de verwarmingselementen
- Na het voltooiën van de bereiding van het voedsel laat de verwarmingselementen altijd 10 minuten op maximum ingeschakeld (zonder voedingsmiddelen) De voedselresten worden verbrand.
- Ontkoppel het apparaat van het net na het koken
- U kunt een koperen borstel gebruiken om voedselresten te verwijderen. Gebruik geen staalborstel of mes. Deze kunnen de verwarmingselement beschadigen.
- Vermijd dat de elektrische onderdelen in contact komen met water.

**EL. CONNECTION DIAGRAM / SCHALTPLAN / SCHÉMA DU ELECTRIQUE
GV-E / GV-EL**



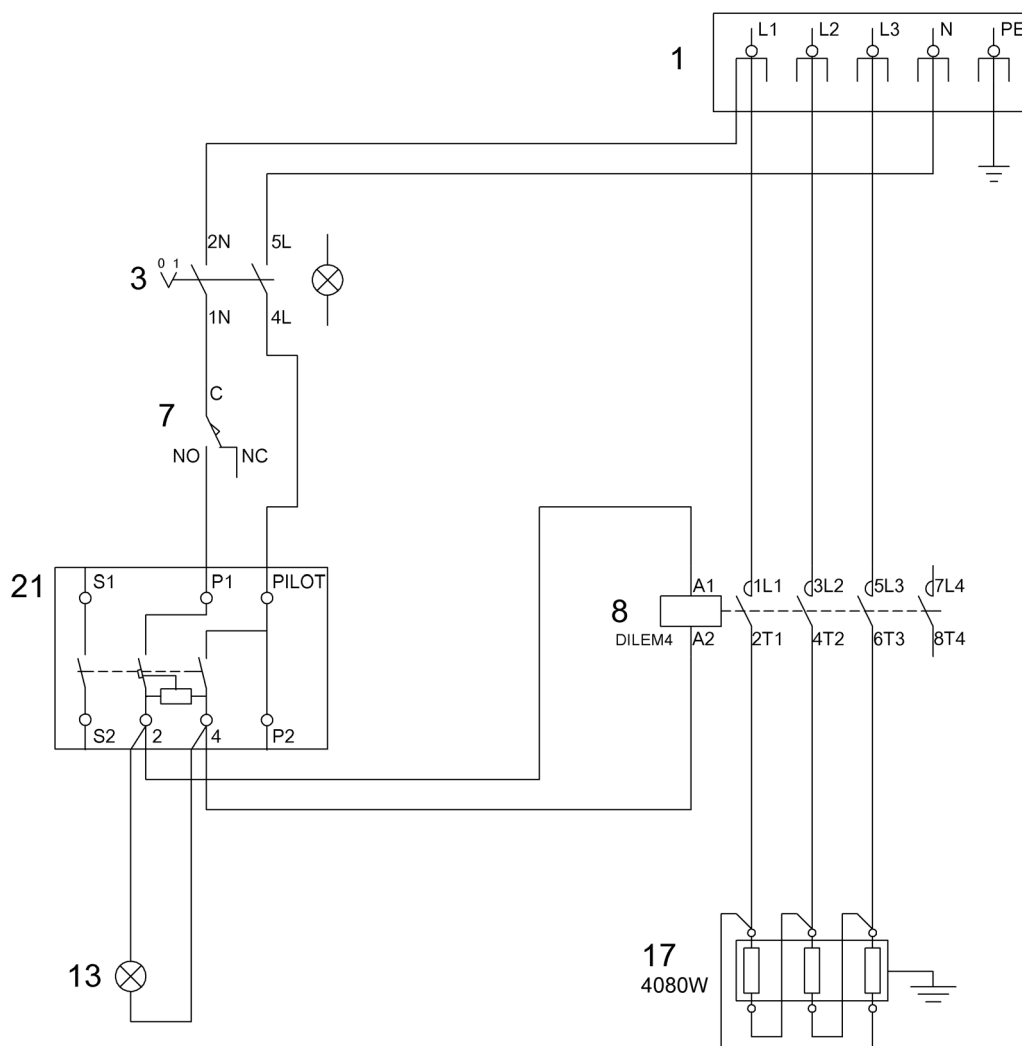
	ENGLISH	DEUTSCH	FRANÇAIS
1	TERMINAL BOARD	KLEMMSBRETT	TABLETTE A BORNES
12	SAFETY THERMOSTAT	SICHERHEITSTHERMOSTAT	THERMOSTAT DE SECURITÉS
2	BACKLIT SWITCH	LEUCHTSCHALTER	INTERUPTEUR PRINCIPAL
11	THERMOSTAT	TERMOSTAT	THERMOSTAT
13	ORANGE CONTROL LIGHT	ORANGEKONTROLLEUCHT	VOYANTE ORANGE
14	GREEN CONTROL LIGHT	GRÜNES KONTROLLEUCHT	VOYANTE VERT
17	HEATING ELEMENT	HEIZELEMENT	RÉCHAUFFER
8	CONTACTOR	SCHÜTZ	CONTACTEUR
9	CONTACTOR COIL	SCHÜTZSPULE	BOBINE DU CONTACTEUR

EL. CONNECTION DIAGRAM / SCHALTPLAN / SCHÉMA DU ELECTRIQUE GV 30 ET



	ENGLISH	DEUTSCH	FRANÇAIS
1	TERMINAL BOARD	KLEMMSBRETT	TABLETTE A BORNES
12	SAFETY THERMOSTAT	SICHERHEITSTHERMOSTAT	THERMOSTAT DE SECURITE'S
2	BACKLIT SWITCH	LEUCHTSCHALTER	INTERUPTEUR PRINCIPAL
11	THERMOSTAT	TERMOSTAT	THERMOSTAT
13	ORANGE CONTROL LIGHT	ORANGEKONTROLLEUCHT	VOYANTE ORANGE
14	GREEN CONTROL LIGHT	GRÜNES KONTROLLEUCHT	VOYANTE VERT
17	HEATING ELEMENT	HEIZELEMENT	RÉCHAUFFER
8	CONTACTOR	SCHÜTZ	CONTACTEUR
9	CONTACTOR COIL	SCHÜTZSPULE	BOBINE DU CONTACTEUR

EL. CONNECTION DIAGRAM / SCHALTPLAN / SCHÉMA DU ELECTRIQUE GV 30 ELT



	ENGLISH	DEUTSCH	FRANÇAIS
1	TERMINAL BOARD	KLEMMSBRETT	TABLETTE A BORNES
12	SAFETY THERMOSTAT	SICHERHEITSTHERMOSTAT	THERMOSTAT DE SECURITÉS
2	BACKLIT SWITCH	LEUCHTSCHALTER	INTERUPTEUR PRINCIPAL
11	THERMOSTAT	TERMOSTAT	THERMOSTAT
13	ORANGE CONTROL LIGHT	ORANGEKONTROLLEUCHT	VOYANTE ORANGE
14	GREEN CONTROL LIGHT	GRÜNES KONTROLLEUCHT	VOYANTE VERT
17	HEATING ELEMENT	HEIZELEMENT	RÉCHAUFFER
8	CONTACTOR	SCHÜTZ	CONTACTEUR
9	CONTACTOR COIL	SCHÜTZSPULE	BOBINE DU CONTACTEUR

ERKLÆRINGEN OM KOMPATIBILITET MED NORMER

Producenten erklærer, at anlæggene er i kompatibilitet med forskrifter 2014/30/EU, 2014/35/EU lov nr. 117/2016sb., nr. 118/2016 sb. og tilhørende regeringens forordninger. Installationen skal udføres med hensyn til de gældende normer. Læg mærke til, at producenten fraskriver sig ethvert ansvar i tilfælde af både direkte og indirekte skader, der har forbindelse med en forkert installation, et ukorrekt indgreb eller ændringer, utilstrækkelig vedligeholdelse, ukorrekt brug og skader, der er forårsaget af andre årsager end de anførte punkter, som er anført i salgsbetingelser. Anlægget er beregnet udelukkende til fagbrug og skal betjenes af kvalificerede personer. Dele, der blev sikret af producenten eller en bemandet medarbejder efter installationen, må ikke ombygges af brugeren.

TEKNISKE DATA

Typepladen med tekniske data befinder sig på det bagerste del af anlægget. Læs grundigt det elektriske tilslutningsskema og alle følgende informationer før installeringen.

Type	Dimensioner (cm)	Strømforbrug (kW)	Spænding (V/Hz)	Temperatur kontrol
GV-30 E	33 x 62 x 32 v	3,3	230 / 50-60	reostat
GV-30 ET	33 x 62 x 32 v	4	400 / 50-60	reostat
GV-30 EL	33 x 62 x 42 v	3,3	230 / 50-60	reostat
GV-30 ELT	33 x 62 x 42 v	4	400 / 50-60	reostat

KONTROL AF PAKNINGEN OG ANLÆGGET

Anlægget forlader vores lager i en forsvarlig pakning, på hvilken befinder sig tilsvarende symboler og markeringer. I pakningen befinder sig en tilsvarende betjeningsvejledning. Hvis pakningen viser tegn på en dårlig behandling, skal den reklameres øjeblikkeligt hos transportøren og man skal skrive og underskrive en protokol om beskadigelsen.

Vigtig varsel:

-Produktet er bestemt alene til brugt i indre områder.

Brug aldrig apparatet hvis det har skaden på strømforsyningen eller på gaffel, hvis det ikke fungerer korrekt, har faldet til jorden og er skadet eller faldt i vandet. I sådanne tilfælde lever apparatet i serviceafdelingen med hensyn til sikkerhed og korrekt funktion.

-vejledningen skal læses grundigt og omhyggeligt, da den indeholder vigtige informationer om sikkerhedselementer, installation og brug

- disse anbefalinger har forbindelse med dette produkt

- produktet svarer til gældende normer

- vejledningen skal gemmes omhyggeligt til fremtidigt brug

- børn må ikke gøre brug af anlægget

- ved salg eller omplacering skal man sikre sig, at betjeningen eller den faglige service har stiftet bekendskab med betjenings- og installationsanvisninger i den vedlagte vejledning

- produktet skal betjenes udelukkende af en fagkyndig person

- det må ikke forlades uden opsyn

- det anbefales, kontrol 1 gang om året

- ved eventuel reparation eller udskiftning af dele skal der bruges originale reservedele

- produktet må ikke renses med vandstrøm eller med trykbruser

- ved fejl eller forkert drift af produktet er det nødvendigt at afkoble alle tilslutninger (vand, elektricitet, gas) og tilkalde autoriseret service

- producenten fraskriver sig et enhvert ansvar ved fejl forårsaget af en forkert installation, samt forkert brug af produktet.

INSTALLATION

Tekniske instruktioner for installationen og reguleringen

Til brug UDELUKKENDE for specialiserede teknikere. Følgende instruktioner henvender sig til en tekniker, der er kvalificeret til installation, og som skal udføre alle operationer på den måde, der er mest korrekt og ifølge de gældende normer.

Vigtigt

Enhver aktivitet i forbindelse med reparationen må kun udføres når anlægget er koblet af nettet.

Hvis det er nødvendigt at reparere anlægget med spænding, skal man arbejde yderst omhyggeligt.

PLACERING

Til reguleringen af anlæggets brug er det helt nødvendigt, at køkkenets omgivelser, hvor anlægget skal installeres, er godt udluftet (med hensyn til dette: teknikeren skal følge de gældende normer). Hvis anlægget placeres, så det er i kontakt med møblernes vægge, skal disse modstå temperaturer op til 60°C. Installationen, afbalanceringen og opstarten skal udføres af en kvalificeret person, der er berettiget til disse aktiviteter, og ifølge de gældende normer for installation af anlægget.

Udpak anlægget og kontroller, at det er uskadt efter transporten. Placer anlægget på en vandret flade (maksimal ujævnhed inden for 2°). Placer anlægget under en emhætte, så vanddampen og lugten bliver elimineret.

Anlægget kan installeres selvstændigt eller i serien med anlæggene af vores produktion. Det er nødvendigt at overholde en minimum distance på 10 cm fra andre genstande, og man skal forebygge kontakt af anlægget med brandbare materialer. I dette tilfælde skal man sikre tilsvarende ændringer, så at der er sikret varmeisollering af de brandbare dele.

SIKKERHEDSANVISNINGER FRA SYNSPUKTET AF BRANDVÆRNET IFØLGE EN 061008 ARTIKKEL 21

- betjeningen af anlægget må udelukkende udføres af voksne personer
 - anlægget må bruges sikkert i almindelige omgivelser ifølge ČSN 332000-1.
 - anlægget skal placeres sådan, at det står eller hænger på et ikke brandbart underlag.
- På anlægget og i distancen mindre end sikkerdistancen må ikke placeres genstande af brandbare materialer (den mindste distance af anlægget til brandbare materialer er 10 cm).
- for sikre distancer fra materialer af de enkelte brandbarhedsgrader og informationer om brandbarhedsgrad af de vanlige byggematerialer - se tavlen

Tavlen:

brandbarhedsgrad af byggemateriale placeres i brandgrader (ČSN 730823) af materialer og produkter

A ikke brandbart granit, sandsten, beton, mursten, keramiske fliser, puds

B dårligt brandbart "akumin", "heraklit", "lihnos", "itaver"

C1 meget brandbart løvetræ, krydsfinér, "sirkoklit", hærdet papir, "umakart"

C2 middelbrandbart spånplade plader, "solodur", korkplader, gummi, gulvmaterialer

C3 letbrandbart træfiberplader, polystyren, polyurethan, PVC

Anlæggene skal installeres på en sikker måde. Under installationen må overholdes tilsvarende projekt-, sikkerheds- og hygiejniske forskrifter ifølge:

- EN 06 1008 brandsikkerhed af de lokale anlæg og varmekilder
- EN 33 2000 omgivelser for elektriske anlæg

ELEKTRISK KABELS NETVAERKFORBINDELSE

Installation af strømforsyningen - denne forbindelse skal sikres separat. A til den tilsvarende nominelle strømafbryder, afhængigt af strømindgangen på det installerede instrument. Kontroller enhedens strøm på typeskiltet på enhedens bagside.

Den jordede leder skal være længere end de andre ledninger. Tilslut apparatet Primo På vejen er det nødvendigt at indsætte en sædekontakt mellem apparatet med en minimumsafstand på 3 mm mellem de enkelte kontakter, hvilket svarer til den gyldige Norman-belastning. Jordforbindelse (gulgrøn) må ikke forårsage afbrydelse med denne kontakt. Tilslut apparatet til stikkontakten, når stikket har tilstrækkelig redning.

Under alle omstændigheder skal forsyningskablet placeres således, at ZE ikke når en temperatur på 50 grader højere end miljøet i en Bode. Før du tilslutter apparatet, er du ikke velkommen, du:

- Indløbsafbryder Indvendig distribution kan modstå apparatets aktuelle belastning (se matricelabel)
- Distributionssystemet er udstyret med effektiv jordforbindelse i overensstemmelse med de gældende lovbestemmelser (CSN) standarder
- Stikkontakten eller kontakten i indgangen er let tilgængelig fra apparatet
- Strømforsyningen til enheden skal være af olieafvisende materiale

Vi giver ethvert ansvar i tilfælde af brændt ZE Disse standarder vil ikke blive overholdt, og i tilfælde af overtrædelse af ovenstående principper.

Du skal rengøre apparatet, inden du bruger det for første gang. kapitel „Rengøring og vedligeholdelse“. Apparatet skal jordes med en jordskrue.



- Denne etiket angiver enhedens jordingspunkt

 -Strømforsyningens gaffel må ikke sættes i stikket og trækkes ud af stikket med våde hænder samt ved at trække på forsyningsledningen!

-Brug ikke forlængerledninger eller tilsluttede stikkontakter.

BRUGSVEJLEDNING

Forsigtig! Før du bruger apparatet, skal du fjerne beskyttelsesfilmen fra hele overfladen, og vask den så godt med opvaskemaskinens vand og tør derefter af med en fugtig klud.

Vandtank:

Beholderen skal kontrolleres regelmæssigt og hurtigt genopfyldes med vand. Beholderen skal rengøres hver gang apparatet er slukket. Det er bedst at fylde beholderen til halvdele af volumen.

Tænd for hovedafbryderen (D), lyset (C) på tænd / sluk-knappen angiver tændingen. Drej knappen (A) og juster til den ønskede effekt. Indikatorerne (B) og (C) lyser. Indikatoren (C) lyser, når apparatet er i drift. chok. Indikatoren (B) lyser, når de termiske spiraler kører. Indikator (B) slukker, når instrumentet opvarmes til den indstillede temperatur. Sluk for apparatet ved at dreje knappen (A) til „0“ og slukke med hovedafbryderen (D). Brug kun enheden under tilsyn.

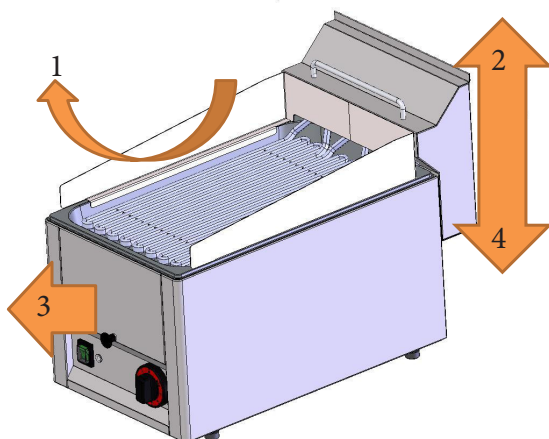
El-boksen er udstyret med en sikkerhedsmikrofon, der slukker el. nuværende når du fjerner kassen fra arbejdsstilling. Når du monterer kassen igen i arbejdsstilling, skal du kontrollere mikrokontakten på skinnen på bagsiden af huset. I tilfælde af funktionsfejl stoppes mikrobryderen ikke, og grillen forbliver uvirksom.

kontrol beskrivelse



- Ⓐ kontrol knap
- Ⓑ varmeindikator
- Ⓒ Ⓓ Hovedafbryder tændt (som angiver, at enheden er under strøm). Grillbordets version har ikke en lyskontakt, men den har et lys.

SKUB EL. BOKSNING



- 1) Tag dækslet af
- 2) Træk el. boks før snaplås låser positionen
- 3) For at returnere elboxen tilbage til arbejdsstilling, træk det cirkulære håndtag ud (punkt 3) og tryk el-boksen tilbage i arbejdsstilling (punkt 4)
- 4) Installer stænkbeskyttelsen igen

Bemærk: Fjern el. boks på samme måde som for frituregryder.

RENSNING OG VEDLIGEHOLDELSE

NB! Anlægget må ikke renses med direkte- eller trykvand.

Anlægget renses dagligt. Daglig rensning forlænger levetiden og effekten af anlægget. Før man starter rensning, forsikre dig om, at anlægget er afkoblet fra elektrisk strøm. Afbryd altid på hovedtilførsel til anlægget. Rustfrie dele renses med en fugtig klud med opvaskemiddel uden grove partikler, bagefter tørres, specielt omkring reguleringsknappen, hovedkontakten, kabelgennemførsel, tilførselskabel, mikrokoblere og siddelister. Brug ikke abrasive eller korrosive rensedmidler.

Rensning af varmeelementer – træk boksen med varmeelementer ud. Varmeelementer renses kun med en fugtig klud.

Hvordan tappes olien ud? – tag beholderen ud ved hjælp af hanker, der er placeret på sider. Denne aktivitet udføres udelukkende, når olien er kold. Beholderen kan vaskes i en opvaskemaskine. Efter vaskning tørres den, og den nye eller filtrerede olie påfyldes.

Ved typen FE – 10T/1010T er fremgangsmåden sådan: Brugeren skal først skaffe sig en passende beholder til taping af olien fra karet. Beholderen skal være af materiale, der modstår varme, og den skal placeres sådan, at olien ikke sprøjter og dermed skaber fare. Påsæt tapperør, fjern sikringen mod den ufrivillige åbning i retningen opad, og skyd håndtaget til positionen markeret med den åbne hane. Karet tappes ud, kun når olien er kold.

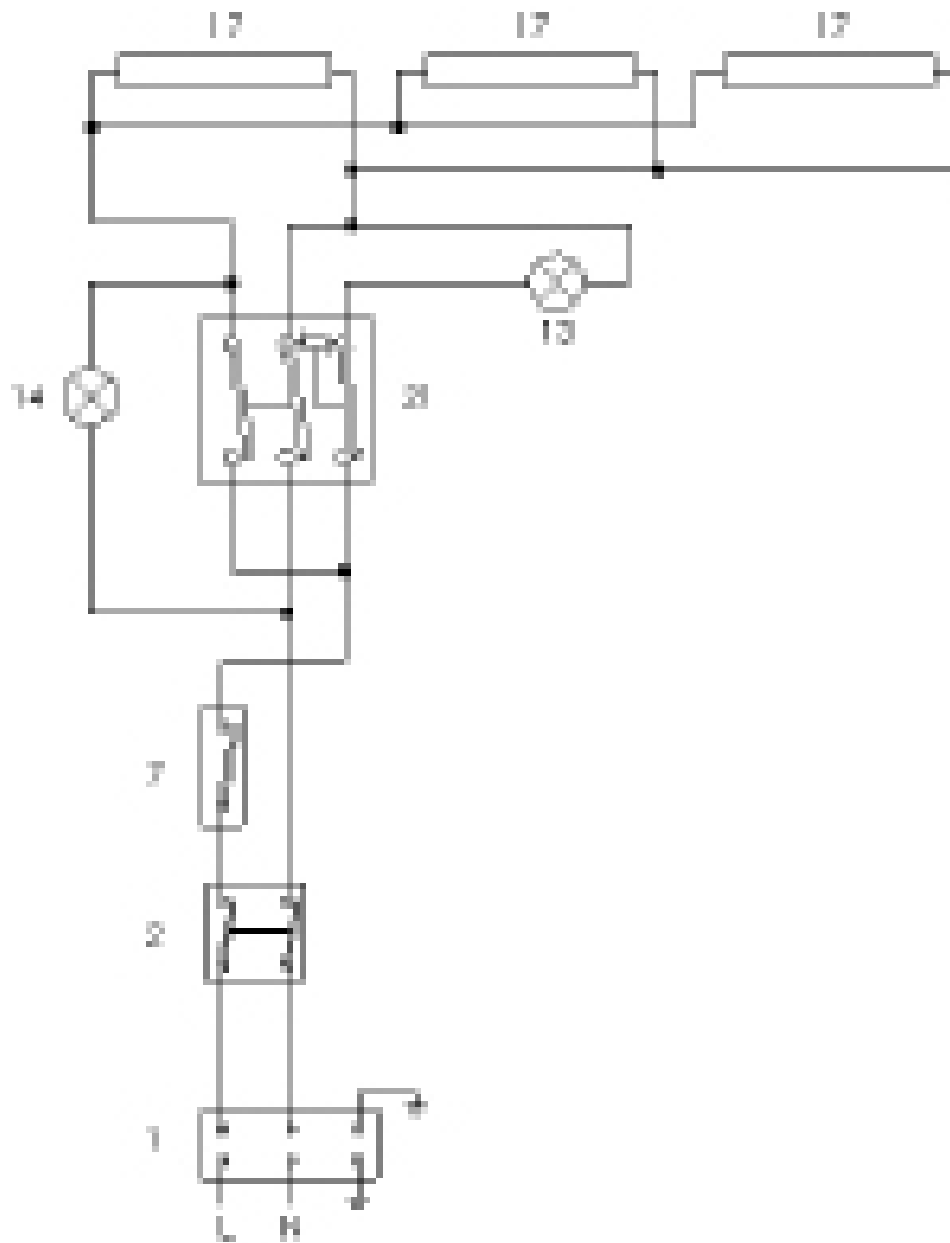
HVORDAN ER FREMGANGSMÅDEN I TILFÆLDE AF FEJL

Sluk for den elektriske tilførsel og ring til sælgerens serviceorganisation.

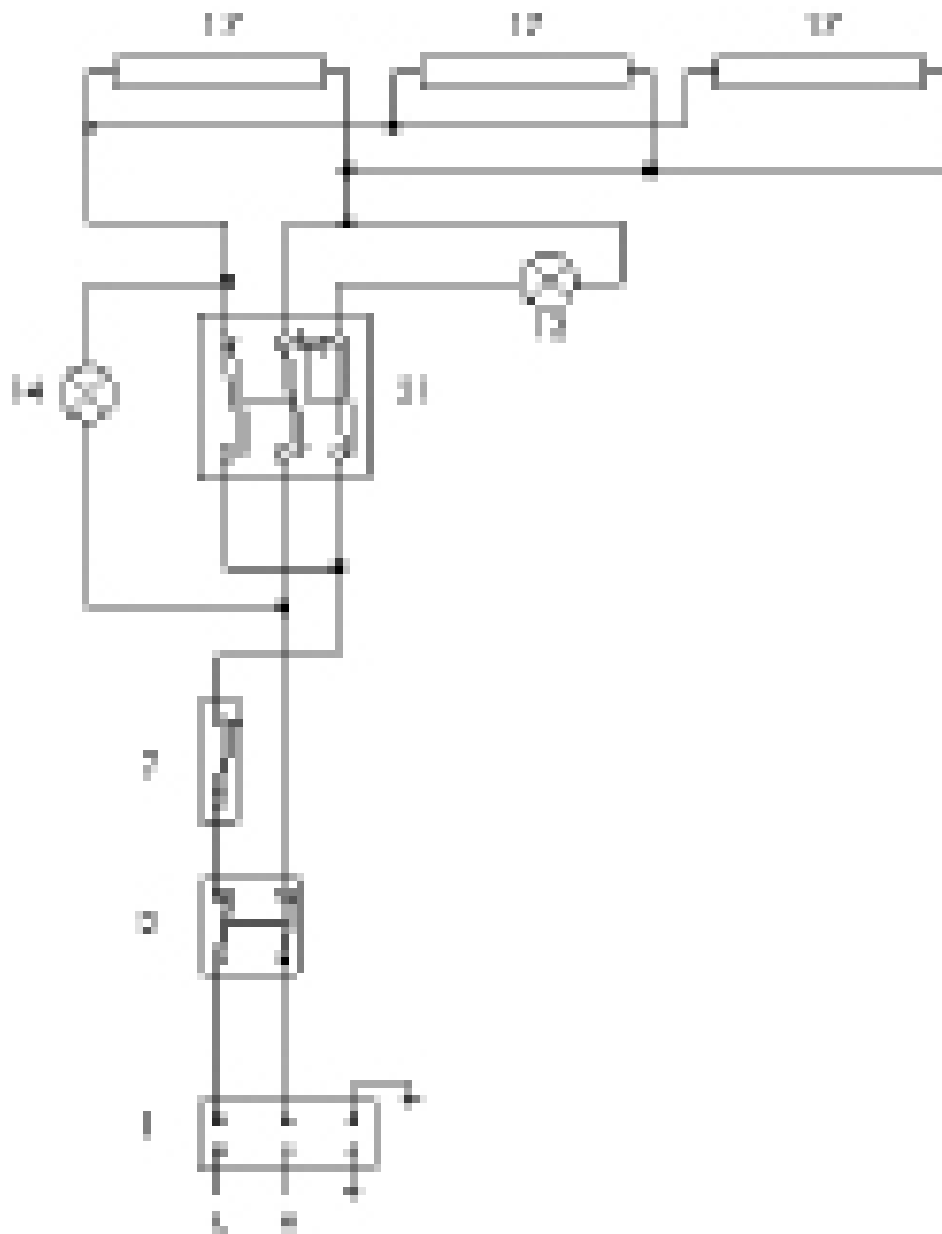
PAS PÅ!

Garantien omfatter ikke alle gummitætninger, elektriske pærer, glas-og plasticdele. Garantien omfatter heller ikke alle brugsdele, der er almindelig slidtage. Garantien omfatter ikke anlæg, hvis installation af anlægget ikke er udført ifølge vejledningen af en berettiget person og ifølge de tilsvarende normer, og hvis der blev manipuleret ufaglignende med anlægget (indgreb i anlæggets indre). Garantien omfatter heller ikke skader, der er forårsaget af naturfænomener.

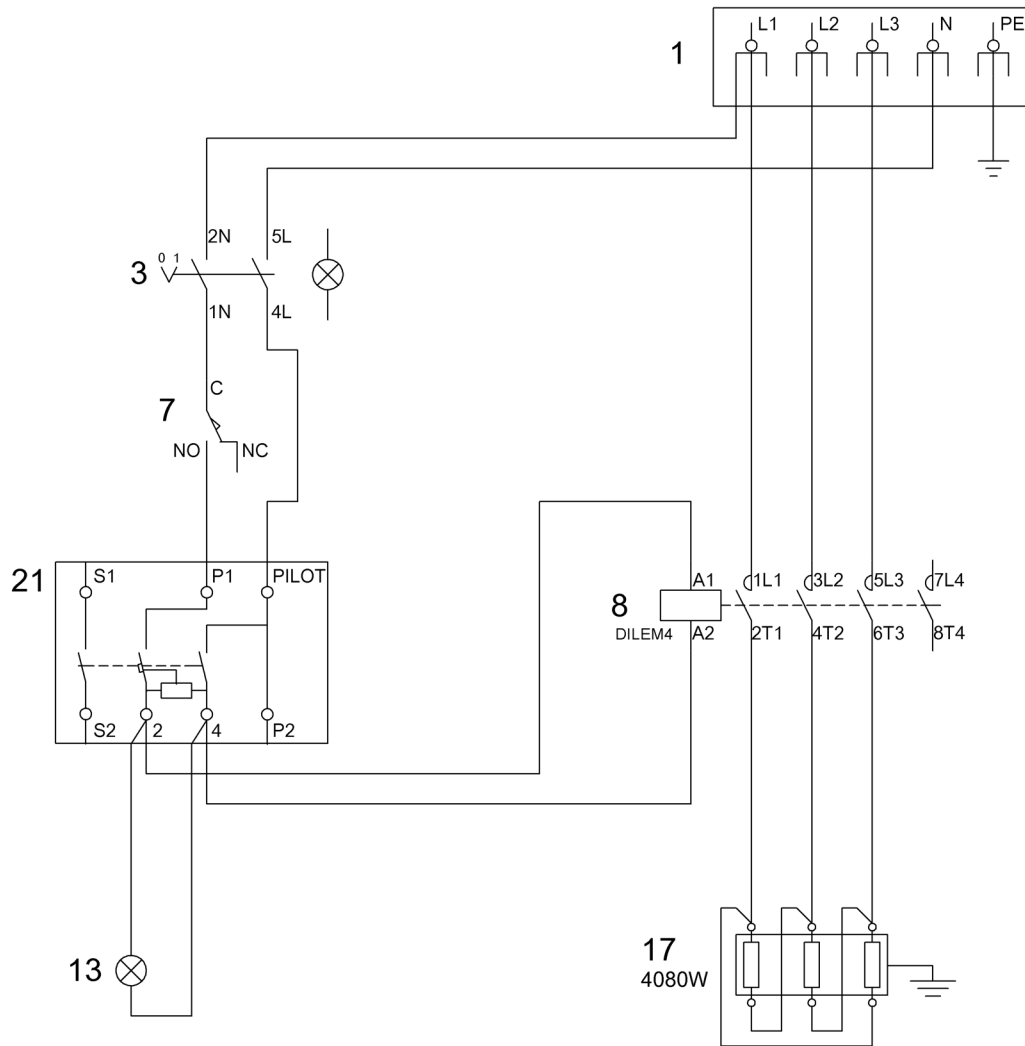
TILSLUTNINGSSKEMAET: GV 30 EL



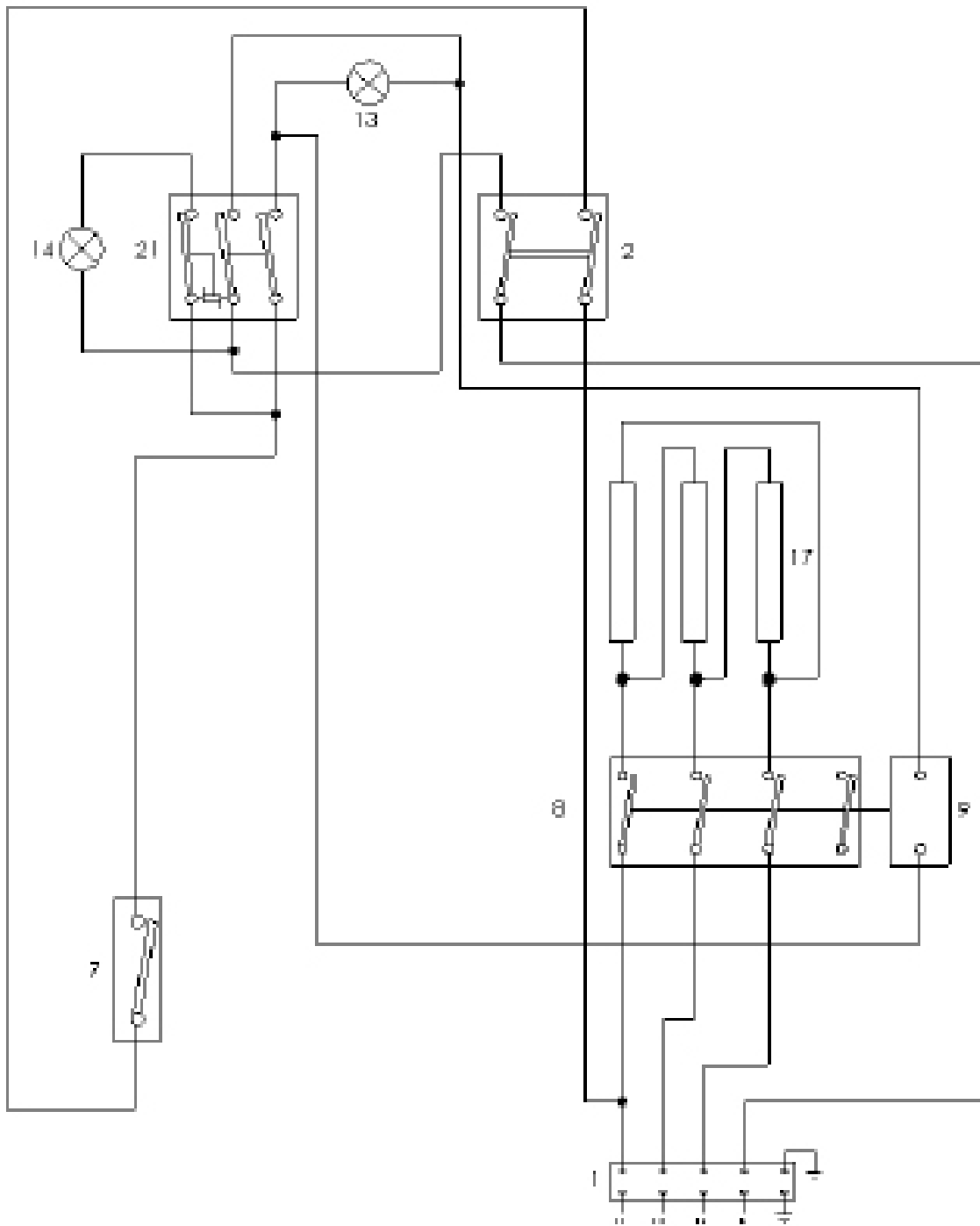
TILSLUTNINGSSKEMAET: GV 30 E



TILSLUTNINGSSKEMAET: GV 30 ELT

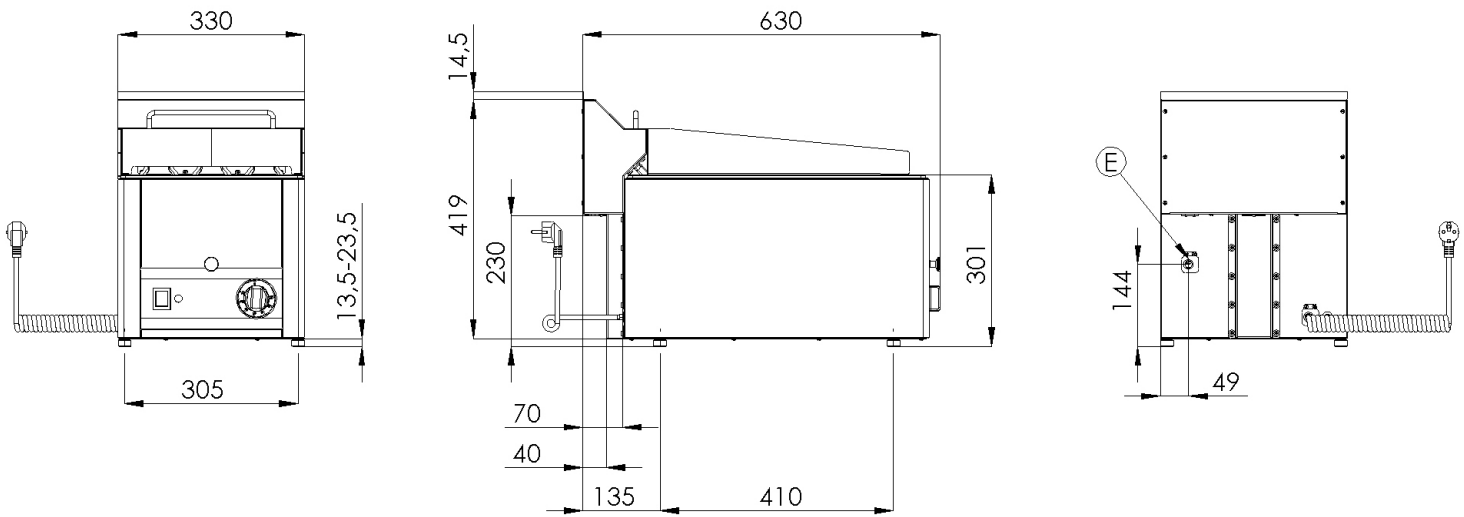


TILSLUTNINGSSKEMAET: GV 30 ET

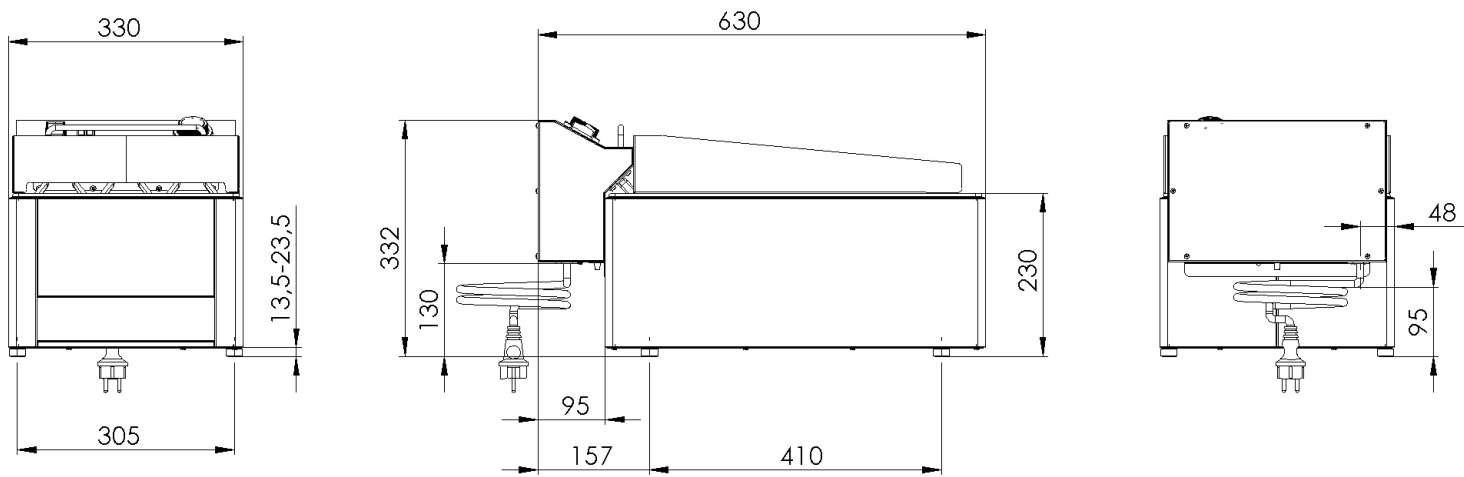


dimensionelle billede

GV 30 EL(T)



GV 30 E(T)



DECLARAȚIE DE CONFORMITATE CU NORMELE

Producătorul declară că aparatele sunt conforme cu normele 2004/108/ES, 2006/95/ES, cu legea nr. 616/2006 Sb., 17/2003 Sb. și cu prevederile relevante ale Guvernului. Instalarea trebuie efectuată în conformitate cu normele actuale. Atenție, producătorul nu-și asumă răspundere în cazuri de defecțiuni directe sau indirecte, datorate instalării sau modificărilor incorecte, întreținerii necorespunzătoare, utilizării defectuoase, sau care sunt rezultatul altor cauze decât cele menționate în punctul despre condițiile vânzării. Acest aparat este destinat exclusiv spre utilizare specializată și trebuie deservit de către personal calificat. Piesele, care au fost sigilate de către producător sau un lucrător împuternicit în acest sens nu pot fi remontate

DATE TEHNICE

Menționăm faptul că echipamentul cu caracteristicile tehnice descrise în prezentul manual nu se încadrează în categoria echipamentelor pentru uz casnic, echipamentul fiind destinat în exclusivitate uzului comercial, de către personal calificat.

Plăcuța cu datele tehnice este amplasată pe partea din spate a aparatului. Înainte de a instala aparatul studiați cu atenție informația de pe aceasta.

Tip	TENSIUNE (V)	PUTERE (kW)	DIMENSIUNE (cm)
GV-30 E	230	3,3	33 x 62 x 32 v
GV-30 ET	400	4	33 x 62 x 32 v
GV-30 EL	230	3,3	33 x 62 x 42 v
GV-30 ELT	400	4	33 x 62 x 42 v

VERIFICAREA AMBALAJULUI ȘI APARATULUI

Aparatul iese din depozitele noastre ambalat în mod reglementar, cu indicarea simbolurilor și însemnelor corespunzătoare. Ghidul de deservire corespunzător se găsește în ambalaj. Dacă ambalajul prezintă semne de manevrare necorespunzătoare sau urme de deteriorare, este necesar de atenționat transportatorul și de a face un proces verbal de deteriorare.

Avertismente importante

-Produsul este destinat utilizării numai în interior.

Nu folosiți niciodată dispozitivul cu sursa sau fișa de alimentare deteriorate sau dacă nu funcționează corect, a căzut pe jos și s-a deteriorat sau dacă a căzut în apă. În astfel de cazuri duceți dispozitivul la un service specializat pentru a i se verifica siguranța și funcționarea corectă

•Acest ghid trebui citit cu atenție pentru că conține informații importante despre securitate, instalare și utilizare

•Următoarele recomandări se aplică acestui produs

•Produsul este conform cu normele actuale

•Acest ghid trebuie păstrat pentru utilizarea ulterioară

•Împiedicați manipularea aparatului de către copii

•La vânzare sau relocare asigurați-vă că deservirea aparatului va fi efectuată în conformitate cu instrucțiunile din ghidul anexat

•Produsul poate fi deservit doar de către personalul instruit

•Poate fi utilizat doar pentru prepararea produselor alimentare

•Să nu fie lăsat fără supraveghere

•Se recomandă o inspectare specializată minim 1 data pe an

•În cazul unei reparații piesele trebuiesc înlocuite doar cu piese de schimb originale

•A nu se curăța produsul cu jet direct de apă sau apă sub presiune

•În caz de defectare sau disfuncție a aparatului se cere de a deconecta orice alimentare (apă, electricitate, gaz) și de apelat la un servis autorizat

•Producătorul nu-și asumă răspundere în cazul defecțiunilor datorate instalării incorecte, nerespectării avertismentelor susmenționate, utilizării în alte scopuri, etc.

INSTALAREA

Instrucțiuni tehnice pentru instalare și reglare

Destinat DOAR utilizării de către tehnicieni specializați.

Instrucțiunile următoare sunt destinate tehnicianului calificat pentru reparație: Toate operațiunile trebuie sa fie efectuate cât mai atent și în conformitate cu normele actuale!!!

Important:

Orice activitate de reglare a aparatului trebuie efectuată după deconectarea acestuia de la rețeaua electrică. Dacă e nevoie de lăsat aparatul sub tensiune, se cere să fiți mai atenți!

AMPLASAREA

Pentru asigurarea funcționalității aparatului, spațiul (bucătăria) unde va fi amplasat acesta trebuie sa fie bine aerisit (referitor la aceasta: tehnicianul să urmeze normele actuale ale CȘN)

Dacă aparatul e instalat în așa fel încât are contact cu suprafața mobilierului, acestea trebuie sa fie rezistente la temperaturi de 60°C. Instalarea, reglarea și darea în exploatare trebuie să fie efectuate de către o persoană calificată, care este autorizată în acest sens și în conformitate cu normele în vigoare.

Despachetați aparatul și verificați dacă nu a fost avariat în timpul transportării. Amplasați aparatul pe o suprafață orizontală (deviere maximă până la 2°). Amplasați aparatul sub hotă ca să fie eliminat mirosul și aburii.

Aparatul poate fi instalat separat sau în serie cu alte produse din gama noastră. Este necesar de a păstra o distanță minimă de 10cm de alte obiecte și de a evita contactul cu obiectele inflamabile. În astfel de cazuri se cere izolarea termică a pieselor inflamabile.

MĂSURI DE SECURITATE DIN PUNCT DE VEDERE AL PROTECȚIEI ÎMPOTRIVA INCENDIILOR CONFORM CSN EN 061008 ȚL. 21:

- Deservirea aparatului trebuie să fie asigurată de către persoane mature
 - Aparatul poate fi utilizat fără pericol în condiții obișnuite conform EN 332000-1
 - Aparatul trebuie amplasat în așa fel încât să fie fixat pe un suport neinflamabil
- Se interzice amplasarea obiectelor inflamabile pe aparat, precum și în apropierea acestuia la distanțe mai mici decât cele recomandate (distanța minimă recomandată este de 10cm)
- Distanțele sigure față de obiectele inflamabile și informațiile despre gradul de combustibilitate a materialelor de construcție sunt indicate în tabel

Tabel:

Gradul de combustibilitate a materialelor de construcție (EN 730823) după substanțe și produse

A neinflamabil	granit, var, beton, cărămidă, gresie ceramică, tencuiala
B greu inflamabile	placă fibrolemnoasă, fibre minerale
C1 dificil inflamabil	lemn, foioase, hârtie întărită, placaj
C2 mediu inflamabil	plăci aglomerate din aşchii de lemn, plăci din plută, cauciuc, pardoseala din PVC
C3 ușor inflamabil	plăci fibrolemnoase, polistiren, poliuretan, PVC

Aparatul trebuie instalat într-un mod sigur. În timpul instalării trebuie respectate prevederile de siguranță, proiectare și igienă în conformitate cu:

- EN 06 1008 securitatea de incendiu a dispozitivelor locale și surselor de căldură
- EN 33 2000 mediul înconjurător pentru aparate electrice (33 2000-4-42; 33 2000-4-482)

CONECTAREA CABLULUI ELECTRIC LA REȚEA


Instalarea alimentării cu electricitate: conexiunea trebuie asigurată de sine stătător cu o siguranță corespunzătoare și în funcție de tensiunea aparatului instalat. Tensiunea aparatului poate fi verificată pe plăcuța producătorului din partea de spate a aparatului. Conectați aparatul direct la rețea și plasați un întrerupător între aparat și rețea, respectând distanța minimă de 3mm între contacte, și care să corespundă cu normele în vigoare și cu sarcina de lucru. Firul de împământare (galben-verzui) nu trebuie afectat de acest întrerupător.

În orice caz cablul de alimentare trebuie amplasat în așa fel încât temperatura lui să nu depășească în nici un loc cu 50 de grade pe cea a mediului înconjurător. Înainte de a conecta aparatul la rețea asigurați-va că:

- Siguranța alimentării și distribuția internă vor rezista la sarcina aparatului (vezi plăcuța)
- Conductoarele sunt împământate corespunzător, conform normelor (CSN) și prevederilor legale
- Priza sau întrerupătorul alimentării sunt ușor accesibile

Nu ne asumăm nici un fel de răspundere în cazul nerespectării acestor norme și în cazul încălcării principiilor enunțate mai sus.

Înainte de prima utilizare îndepărtați folia protectoare de pe aparat și curățați-l așa cum scrie în capitolul „curățare și întreținere”.

-  -Nu introduceți fișa de alimentare în priză cu mâinile ude și nici nu o scoateți trăgând de sursa de alimentare!
- Nu folosiți cabluri prelungitoare sau prize multiple.

GHID DE UTILIZARE

Atenție! Înainte de a începe să utilizați aparatul, este necesar să înlăturați folia de protecție de pe toată suprafața, pe care să o spălați apoi bine cu apă și detergent de vase iar apoi să o ștergeți bine cu o cârpă umedă.

Recipientul pentru apă:

Recipientul trebuie controlat cu regularitate și completat la timp cu apă. Recipientul trebuie curățat după fiecare deconectare a aparatului. Cel mai bine este să umpleți recipientul până la jumătatea volumului acestuia.

Porniți cu întrerupătorul principal (D), lampa de control (C) din comutator indică faptul că aparatul este pornit. Lămpile de control (B) și (C) vor fi aprinse. Lampa de control (C) se aprinde când aparatul este alimentat cu curent electric. Lampa de control (B) se aprinde dacă spiralele termice sunt în funcțiune. Lampa de control (B) se va stinge când aparatul va atinge temperatura setată. Deconectați aparatul rotind butonul (A) în poziția „0” și opriți comutatorul principal (D). Utilizați aparatul numai atunci când este supravegheat.

Camera electrică este echipată cu un micro-întrerupător de siguranță care deconectează alimentarea cu curent electric atunci când scoateți camera din poziția de lucru. Când repuneți camera în poziția de lucru, verificați dacă micro-întrerupătorul este așezat pe șina din spatele carcasei. Poziționarea incorectă a micro-

-întrerupătorului nu va efectua conectarea iar grătarul nu va funcționa.

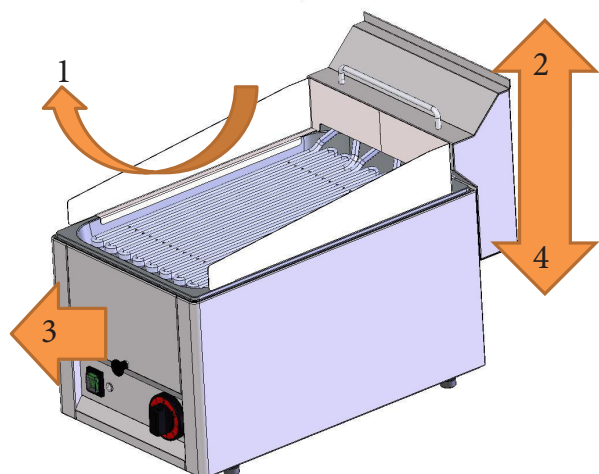
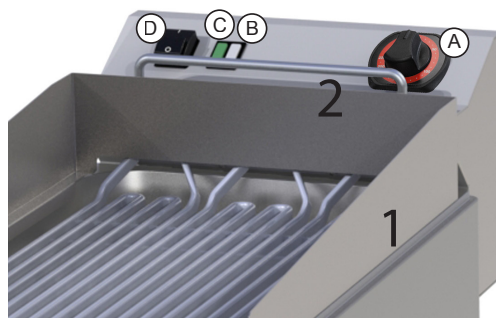


(A) DESCRIERE OPERARE

(B) Buton de comandă

Indicator de încălzire

(C)(D) Comutatorul principal este iluminat (indică conectarea aparatului la curent electric). Versiunea de masă a grătarului nu are întrerupătorul iluminat, conține însă un bec de control.



SCOATEREA CAMEREI ELECTRICE

- 1) scoateți capacul de pulverizare
- 2) cu ajutorul mânerului trageți camera electrică până când se va bloca siguranța de poziție
- 3) pentru repunerea camerei electrice la loc în poziție de lucru, trageți de mânerul rotund (poz. 3) și împingeți camera electrică înapoi în poziția de lucru (poz.4)
- 5) repuneți la loc capacul de pulverizare

notă: la versiunea de masă a grătarului scoateți camera electrică în același mod ca la friteuze.

CURĂȚARE ȘI ÎNTREȚINERE

Este recomandat de a inspecta aparatul, cel puțin o dată pe an, de către un servis specializat. Orice intervenții asupra aparatului pot fi operate doar de către o persoană calificată, autorizată în acest sens.

ATENȚIE!!!

Este interzisă curățarea aparatului sub jetul de apă sau apă sub presiune. Curățați aparatul zilnic. Întreținerea zilnică prelungește eficiența și funcționalitatea aparatului. Înainte de a curăța aparatul, asigurați-vă că acesta este deconectat de la rețeaua electrică. Întotdeauna să opriți alimentarea principală a aparatului. Părțile de inox curățați-le cu o cârpă umedă cu soluție de săpun și fără particule tari, iar uscați-le prin ștergere. Nu folosiți soluții de curățat abrazive sau corozive. Înlăturați toate resturile de mâncare de pe suprafața de lucru, posibil și cu ajutorul unui șpaclu.

Zilnic, după utilizarea, trebuie unse suprafețele de contact ale robinetului de descărcare cu vaselină alimentară. La robinetul cu con, vaselină îi asigură și etanșeitatea. Niciodată nu goliți conținutul cazanului fără sita la deversor. Este pericol de astupare și deteriorare a robinetului.

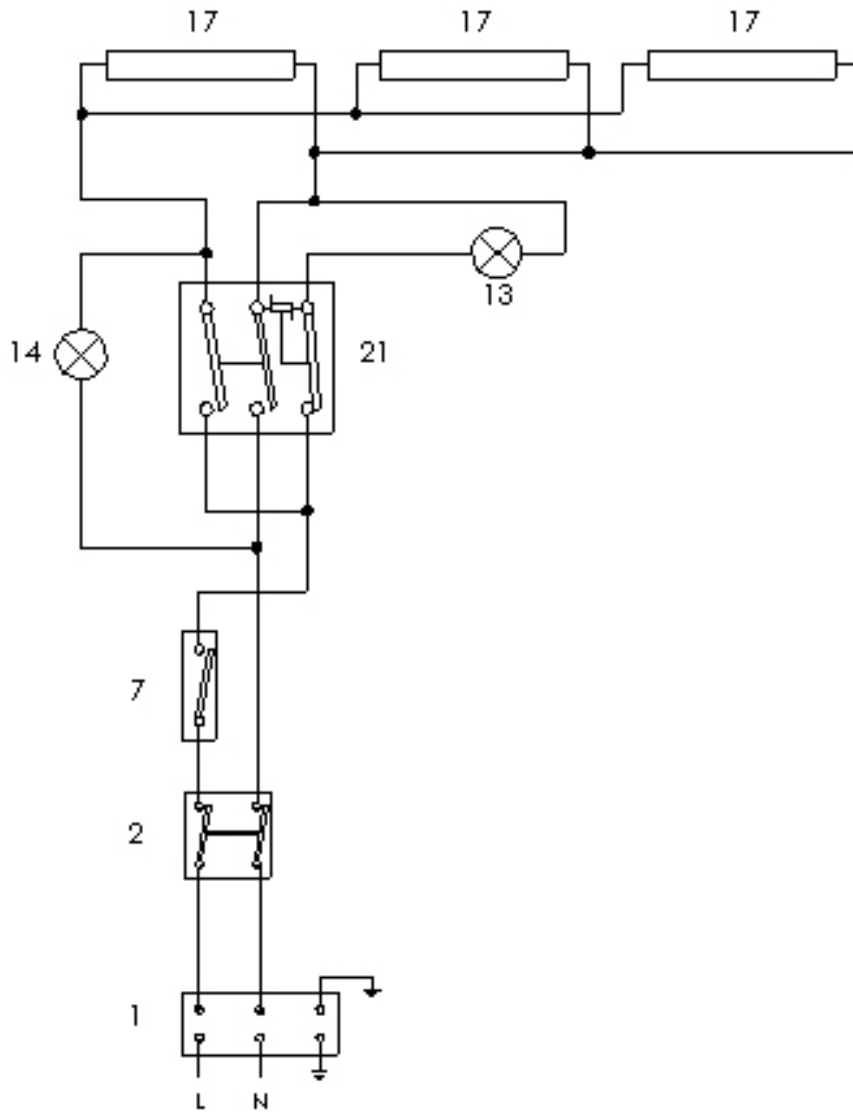
Procedeu în caz de disfuncție a aparatului

Opriți alimentarea cu electricitate și apelați servisul vânzătorului.

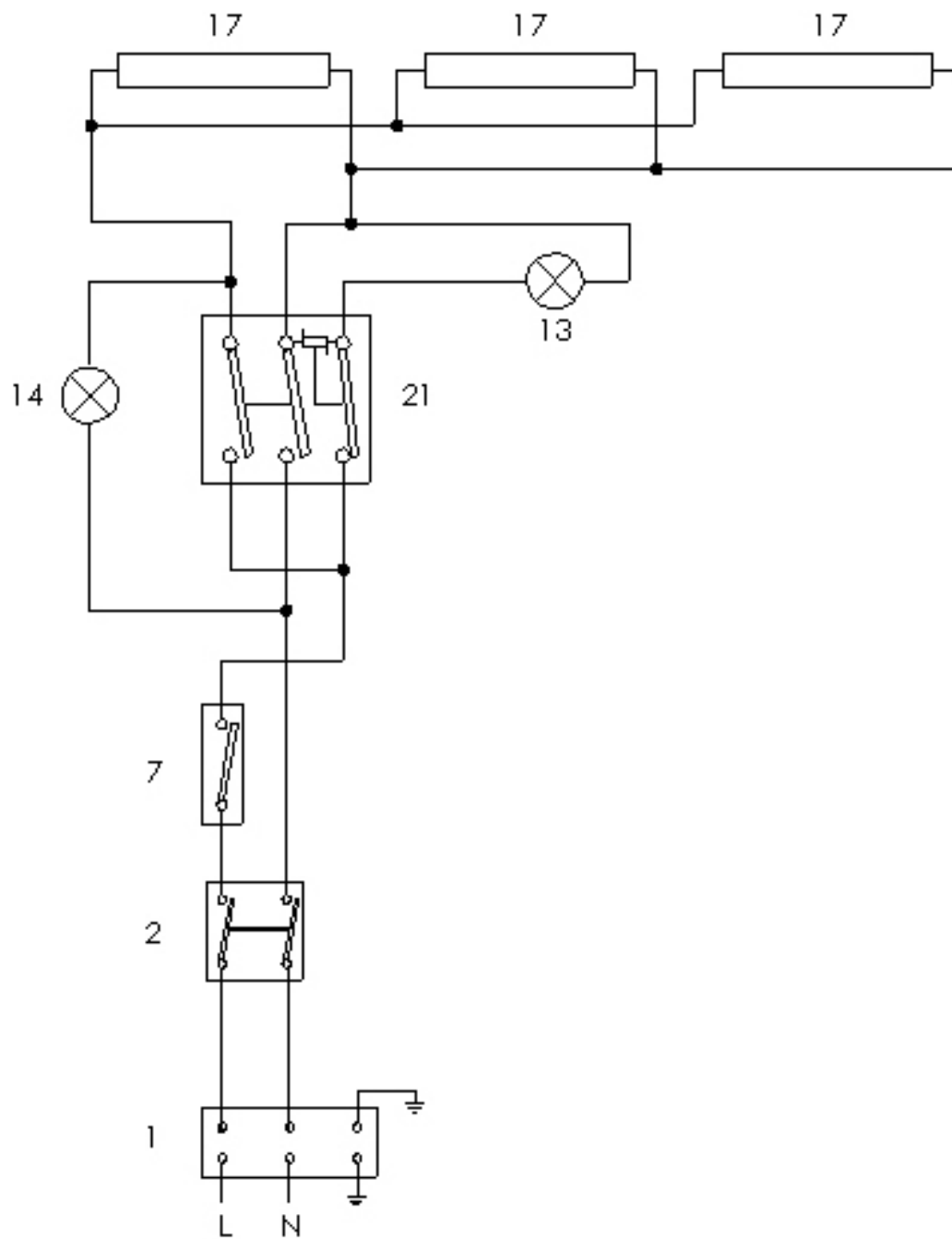
ATENȚIONARE

Garanția nu acoperă piesele consumabile care se uzează prin utilizare (garniturile din cauciuc, becurile, părțile din plastic și sticle, etc.). De asemeni garanția nu se aplică aparatelor a căror instalare a fost efectuată contrar normelor (de către o persoană autorizată conform normelor în vigoare) și nici în cazul manipulării defectuoase (intervenții în interiorul aparatului etc.) sau dacă a fost deservit de către personal neinstruit și contrar ghidului de utilizare. Garanția nu se aplica defectelor datorate efectelor naturii sau forței majore.

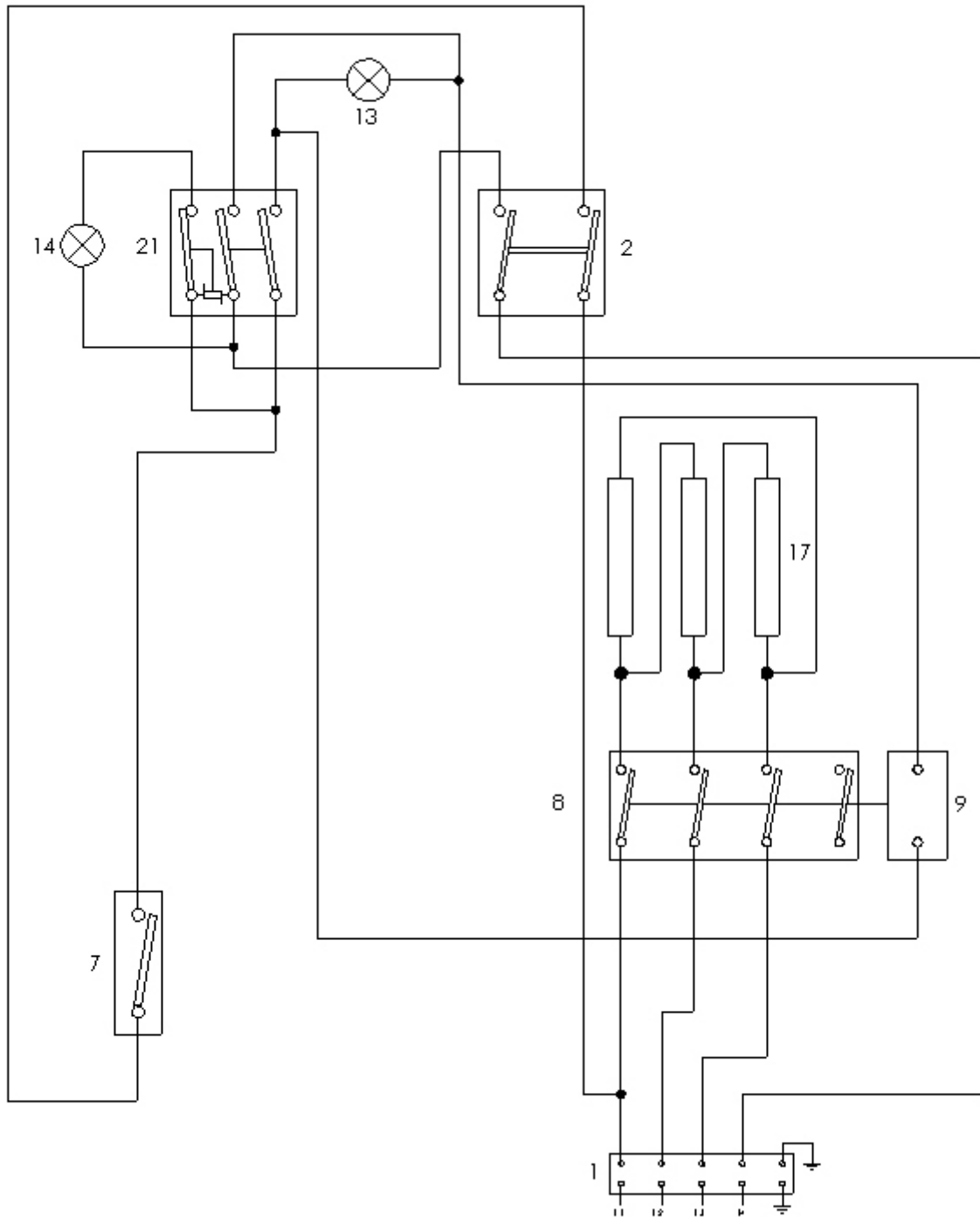
SCHEMA CONECTRII: GV - 30 E



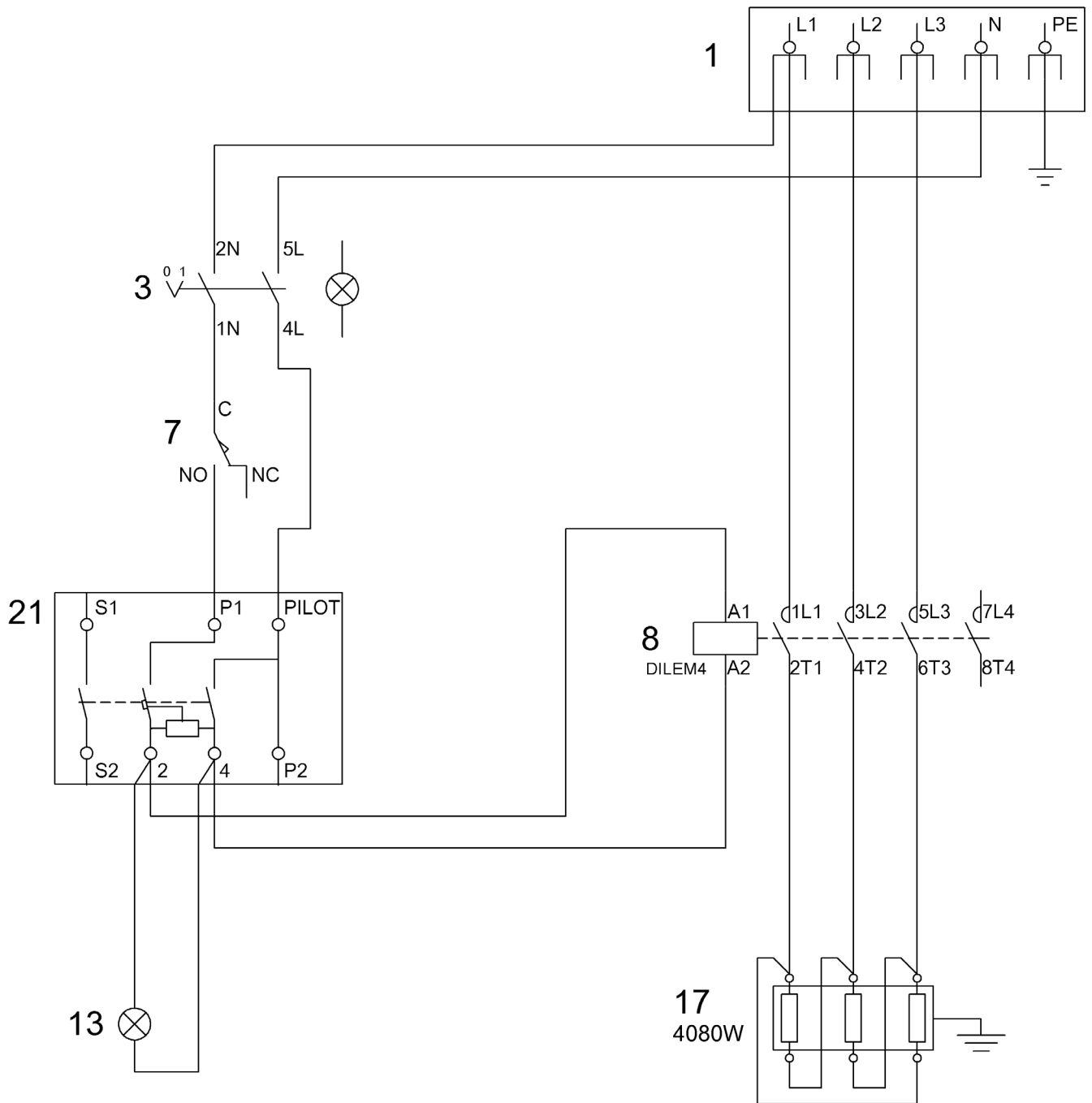
SCHEMA CONECTRII: GV - 30 EL



SCHEMA CONECTRII: GV - 30 ET

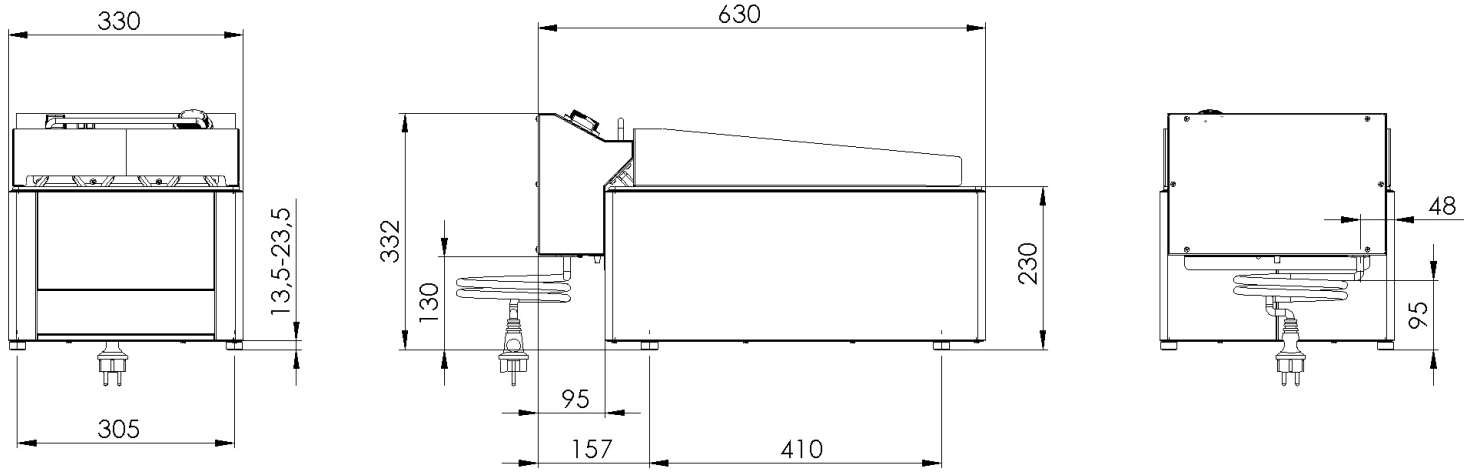


SCHEMA CONECTRII: GV - 30 ELT

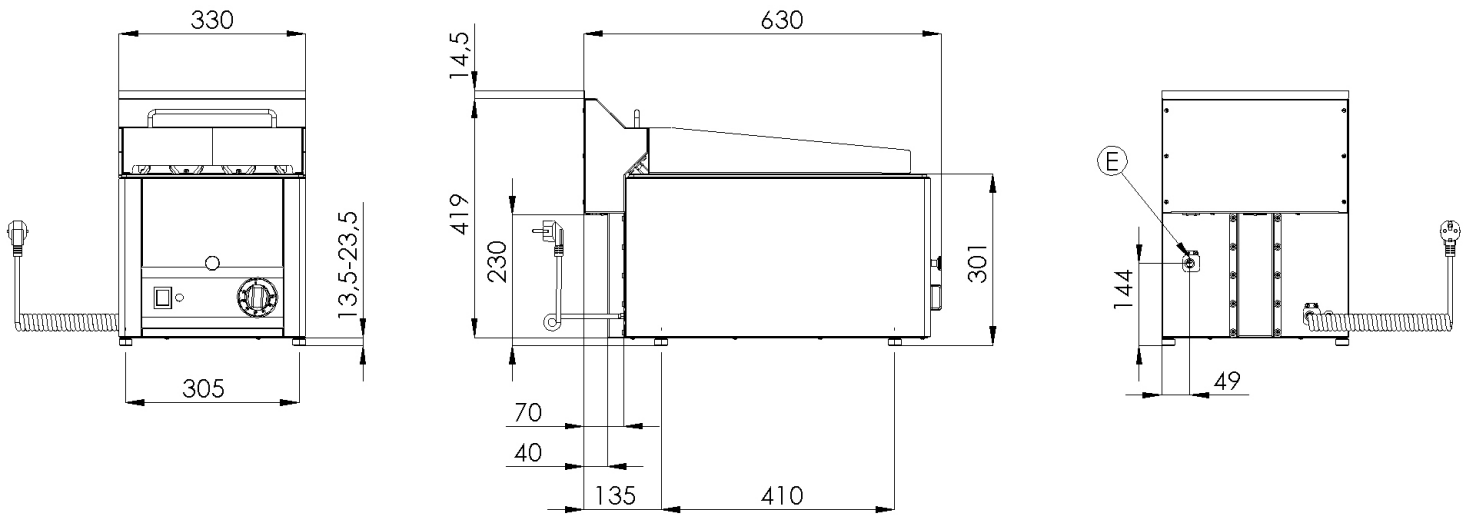


Imaginea dimensională

GV - 30 E, ET



GV - 30 EL, ELT



ДЕКЛАРАЦИЯ О СООТВЕТСТВИИ СТАНДАРТАМ

Изготовитель заявляет, что приборы удовлетворяют требованиям директивы европейского парламента и совета № 2009/142/ЕС (Постановления чешского правительства № 22/2003), законов № 22/1997 и № 258/2000 «Об охране общественного здоровья», подзаконного акта № 38/2001 и соответствующих постановлений правительства. Установка прибора должна осуществляться в соответствии с действующими нормами.

Внимание, изготовитель не несет никакой ответственности в случае прямых или косвенных повреждений, возникших по причине неправильной установки, изменения прибора или неправильного вмешательства в него, недостаточного техобслуживания, неправильного обращения с прибором или же повреждений, возникших по другим причинам, указанным в документе «Условия продажи». Настоящий прибор предназначен исключительно для профессионального применения. Обслуживать прибор разрешается только квалифицированным лицам. Части прибора, которые были отрегулированы изготовителем и зафиксированы им или его уполномоченным работником, пользователю регулировать запрещается.

Технические данные:

Табличка с техническими данными находится на видном месте на задней стенке прибора. Перед установкой изучите электрическую схему подключения, прилагаемую к руководству.

Тип изделия	Размеры (см)	Мощность (kW) / Напряжение(V / Hz)	объем (l)	работа объем (l)
FE – 04	18 x 42 x 30 v	2,1 / 230 V	4 – 5	4 – 5
FE – 44	36 x 42 x 30 v	2 x 2,1 / 230 V	2 x 4 – 5	2 x 4 – 5
FE – 04 S	18 x 42 x 30 v	3 / 230 V	4 – 5	4 – 5
FE – 44 S	36 x 42 x 30 v	2 x 3 / 230 V	2 x 4 – 5	2 x 4 – 5
FE – 07	27 x 42 x 30 v	3 / 230 V	7 – 8	5
FE – 07 V	27 x 42 x 37 v	3 / 230 V	7 – 8	7 – 8
FE – 77	54 x 42 x 30 v	2 x 3 / 230 V	2 x 7 – 8	2x 5
FE - 77 V	54 x 42 x 37 v	2 x 3 / 230 V	2 x 7 – 8	2 x 7 – 8
FE – 07 T	27 x 42 x 30 v	6 / 400 V (3 N)	7 – 8	5
FE – 07 VT	27 x 42 x 37 v	6 / 400 V (3 N)	7 – 8	7 – 8
FE - 77	54 x 42 x 30 v	2 x 3 / 230 V	7 – 8	2x 5
FE – 77 T	54 x 42 x 30 v	2 x 6 / 400 V / (3 N)	2 x 7 – 8	2x 5
FE – 77 VT	54 x 42 x 37 v	2 x 6 / 400 V / (3 N)	2 x 7 – 8	2 x 7 – 8
FE – 74	45 x 42 x 30 v	2 + 3 / 230 V	4 – 5 + 7 – 8	(4-5) + 5
FE - 08	21 x 52 x 30 v	3,4 / 230 V	8	5
FE - 08 V	21 x 55 x 30 v	3,4 / 230 V	8	8
FE – 10 T	36 x 42 x 37 v	8,1 / 400 V / (3 N)	10	10
FE – 1010 T	72 x 42 x 37 v	2x8,1 / 400 V / (3 N)	2 x 10	2 x 10
FE - 30 T	54 x 45 x 37 v	9 / 400 V / (3 N)	16	16
FE - 60 T	67 x 65 x 37 v	15 / 400 V / (3 N)	30	30
FE - 60 (P)	67 x 65 x 90 v	15 / 400 V / (3N)	30	30
FE - 88	42 x 52 x 30 v	6,8 / 230 V	2 x 8	2 x 5
FE - 88 V	42 x 55 x 30 v	6,8 / 230 V	2 x 8	2 x 8

ПРОВЕРКА УПАКОВКИ И ПРИБОРА

Завод-изготовитель отгружает прибор надлежащим образом упакованным. На упаковке указаны соответствующие символы и обозначения. В упаковке находится соответствующее руководство по эксплуатации. Если на упаковке видны следы неправильного обращения, признаки повреждения или насильного вскрытия во время перевозки, Вы должны немедленно предъявить претензию грузоперевозчику, составив с ним акт о повреждении. Позднее претензии не принимаются.

Общие указания

Данное руководство следует внимательно прочитать и изучить, поскольку в нем приводятся важные

предупреждения, касающиеся безопасности установки прибора и его эксплуатации.

- Данное руководство предназначено только для настоящего изделия или продуктовой линейки.
- Данное руководство следует сохранять для использования в будущем.
- Детям запрещается манипулировать с прибором.
- Прибор разрешается обслуживать только обученному персоналу.
- Мармит разрешается использовать только для поддержания необходимой температуры раздаваемой пищи.
- Прибор ни в коем случае нельзя включать без надзора.
- Рекомендуется 2 раза в год проводить специализированный сервисный осмотр.
- В случае ремонта или замены части (детали) необходимо использовать оригинальные запчасти от изготовителя прибора.
- Прибор ни в коем случае нельзя мыть струей воды или напорным аппаратом.
- В случае неисправности или неправильной работы прибора следует немедленно отсоединить все подводы (вода, электричество, газ) и пригласить авторизованный сервис.
- Прибор разрешается использовать только по его назначению. Использование прибора в других целях может привести к возникновению опасности или нанесению травмы.
- Должно быть обеспечено безоговорочное строгое соблюдение правил пожарной безопасности.

Изготовитель не несет никакой ответственности в случае возникновения неисправностей, вызванных неправильной установкой, несоблюдением вышеуказанных указаний, использованием прибора не по назначению и т.п.

РАЗМЕЩЕНИЕ

Для правильной работы и размещения прибора необходимо соблюдать директивы TPG G 704 01, EN 127040, EN 127010.

Снимите упаковку и проверьте наличие повреждений, возникших во время перевозки. Поместите прибор на горизонтальную поверхность (макс. неровность не более 2°). Небольшую неровность можно компенсировать с помощью регулируемых ножек.

Если месторасположение прибора предполагает его контакт со стенками мебели, то данная мебель должна быть устойчивой к температуре до 60°C. Установку и пуско-наладочные работы должно выполнять квалифицированное лицо, имеющее на такие работы соответствующее разрешение (согласно действующим нормам).

Мармит можно установить как отдельный прибор или в серии с другими приборами нашего производства. Необходимо соблюдать минимальное расстояние 10 см от горючих материалов. В таком случае следует провести соответствующие изменения, чтобы была обеспечена тепловая изоляция горючих частей.

Прибор разрешается устанавливать только на негорючей поверхности или возле негорючей стены.

МЕРЫ БЕЗОПАСНОСТИ С ТОЧКИ ЗРЕНИЯ ПОЖАРНОЙ ОХРАНЫ СОГЛАСНО EN 061008, СТ.12

- обслуживать прибор разрешается только взрослым
- прибор разрешается использовать только в нормальной среде по:
EN 33 2000-4-482
EN 33 2000-4-42

- прибор должен быть установлен так, чтоб он прочно стоял или висел на негорючем основании
- на прибор и на расстоянии, меньшем безопасной удаленности от него, запрещается размещать предметы из горючих материалов (минимальное расстояние между прибором и горючим материалом составляет 10 см).
- информация о степени воспламеняемости некоторых строительных материалов приводится на следующей странице

Таблица степени воспламеняемости строительного материала, включенного с ст. воспламеняемости (730823) материалов и изделий


А - негорючие	гранит, песчаник, бетоны, кирпич, керамическая плитка, штукатурка
В - умеренно воспламеняемые	акумин, гераклит, лигнос, итавер
С1 - трудно горючие	древесина лиственных пород, клееная фанера, сиркоклит, гетинакс, умакарт
С2 - умеренно горючие	ДСП, солодур, пробковые доски, резина, покрытия для полов
С3 - легко горючие	ДВП, полистерен, полиуретан, ПВХ

Прибор должен быть установлен безопасным способом. При установке следует соблюдать

соответствующие предписания по проектированию, безопасности и гигиене согласно:

- EN 06 1008 пожарная безопасность локальных приборов и источников тепла
- EN 33 2000 среда для электрического оборудования

ВАЖНО:

 ИЗГОТОВИТЕЛЬ НЕ ДАЕТ НИКАКИХ ГАРАНТИЙ НА НЕИСПРАВНОСТИ, ВОЗНИКШИЕ В РЕЗУЛЬТАТЕ НЕПРАВИЛЬНОЙ ЭКСПЛУАТАЦИИ, НЕСОБЛЮДЕНИЯ ИНСТРУКЦИЙ В ПРИЛАГАЕМОМ РУКОВОДСТВЕ ПО ЭКСПЛУАТАЦИИ И НЕПРАВИЛЬНОГО ОБРАЩЕНИЯ С ПРИБОРАМИ.

УСТАНОВКУ, НАЛАДКУ И РЕМОНТ ПРИБОРОВ ДЛЯ ПРЕДПРИЯТИЙ ОБЩЕПИТА, ТАК ЖЕ КАК И ДЕМОНТАЖ ДАННЫХ ПРИБОРОВ (ИЗ-ЗА ОПАСНОСТИ ПОВРЕЖДЕНИЯ ПОДВОДА ГАЗА) РАЗРЕШАЕТСЯ ВЫПОЛНЯТЬ ТОЛЬКО НА ОСНОВАНИИ ДОГОВОРА О ТЕХОБСЛУЖИВАНИИ (ДАННЫЙ ДОГОВОР МОЖНО ЗАКЛЮЧИТЬ С АВТОРИЗОВАННЫМ ПРОДАВЦОМ), ПРИЧЕМ ДОЛЖНЫ СОБЛЮДАТЬСЯ ТЕХНИЧЕСКИЕ ПРЕДПИСАНИЯ И СТАНДАРТЫ, КАСАЮЩИЕСЯ УСТАНОВКИ, ЭЛЕКТРИЧЕСКОГО ПОДСОЕДИНЕНИЯ, ПОДКЛЮЧЕНИЯ ГАЗА И БЕЗОПАСНОСТИ ТРУДА.

ТЕХНИЧЕСКИЕ ИНСТРУКЦИИ ПО УСТАНОВКЕ И НАЛАДКЕ ПРЕДНАЗНАЧАЮТСЯ ТОЛЬКО СПЕЦИАЛИЗИРОВАННЫМ ТЕХНИКАМ.

НИЖЕПРИВЕДЕННЫЕ ИНСТРУКЦИИ АДРЕСОВАНЫ ТЕХНИКАМ, ИМЕЮЩИМ КВАЛИФИКАЦИЮ ДЛЯ УСТАНОВКИ ПРИБОРА, ЧТОБЫ ОНИ МОГЛИ ВЫПОЛНИТЬ ВСЕ ОПЕРАЦИИ КАК МОЖНО БОЛЕЕ КОРРЕКТНО И В СООТВЕТСТВИИ С ДЕЙСТВУЮЩИМИ НОРМАМИ.

ЛЮБЫЕ РАБОТЫ, СВЯЗАННЫЕ С НАЛАДКОЙ И Т.П., РАЗРЕШАЕТСЯ ВЫПОЛНЯТЬ ТОЛЬКО КОГДА ПРИБОР ОТКЛЮЧЕН ОТ СЕТИ. ЕСЛИ ПРИ ВЫПОЛНЕНИИ РАБОТ НЕОБХОДИМО, ЧТОБЫ ПРИБОР НАХОДИЛСЯ ПОД НАПРЯЖЕНИЕМ, ТО СЛЕДУЕТ БЫТЬ ПРЕДЕЛЬНО ОСТОРОЖНЫМИ.

Никогда не включайте устройство без масла или если уровень масла находится ниже риски минимума - существует опасность пожара.

Если масло загрязнено или если используется в течение длительного времени, грозит его перекипание. Наполните устройство маслом для фритюра до риски максимального уровня с боковой стороны. При помощи главного выключателя подключите ввод к сети, нажмите выключатель (B) и при помощи переключателя (E) задайте требуемую температуру в диапазоне 90°C - 190°C. Светятся контрольные лампочки (C) и (D). Контрольная лампочка (C) светится в том случае, если устройство включено в сеть. Контрольная лампочка (D) светится в том случае, если работают нагревательные спирали. Контрольная лампочка (D) погаснет, как только устройство нагреется до заданной температуры. Устройство выключается поворотом переключателя (E) в положение «0» и переключением кнопки (B) в положение «0».

ОПОРОЖНЕНИЕ ВАННЫ

Ванну выливайте только в том случае, если масло охладилось и устройство отключено от электросети. Пользователь должен подобрать соответствующую емкость для слива из ванны масла. Данная емкость должна быть изготовлена из теплостойкого материала и должна быть установлена таким образом, чтобы масло не разбрызгивалось во все стороны, тем самым предоставляя собой опасность для окружения. Наденьте сливной шланг, переместите предохранитель во избежание случайного открывания по направлению вверх и переведите рычажок в положение с обозначением открытого крана. Сливайте масло из ванны, если оно остыло.

Поверните рычажок в положение с обозначением открытого крана. Сливайте масло из ванны, если оно остыло.

Примечания и рекомендации

Постоянно контролируйте уровень масла, никогда не используйте устройство без масла. Пользуйтесь устройством только под присмотром.

Главный выключатель

Контрольная лампочка работы устройства

Контрольная лампочка нагрева

Кнопка управления



ТЕХОБСЛУЖИВАНИЕ И ГАРАНТИЙНЫЕ УСЛОВИЯ



ПРИ ДЛИТЕЛЬНОЙ ЭКСПЛУАТАЦИИ ПРИБОРА ДЛЯ ОБЕСПЕЧЕНИЯ ЕГО БЕЗОПАСНОЙ РАБОТЫ ТРЕБУЕТСЯ РЕГУЛЯРНОЕ ТЕХОБСЛУЖИВАНИЕ, ПОЭТОМУ РЕКОМЕНДУЕМ ЗАКЛЮЧИТЬ ДОГОВОР НА СЕРВИСНОЕ ОБСЛУЖИВАНИЕ. ТЕХОБСЛУЖИВАНИЕ РАЗРЕШАЕТСЯ ПРОВОДИТЬ ТОЛЬКО УПОЛНОМОЧЕННЫМ СЕРВИСНЫМ ТЕХНИКАМ, СОБЛЮДАЮЩИМ ДЕЙСТВУЮЩИЕ СТАНДАРТЫ И ПРЕДПИСАНИЯ, А ТАКЖЕ ИНСТРУКЦИИ, ПРИВЕДЕННЫЕ В РУКОВОДСТВЕ. ОПТИМАЛЬНАЯ ПЕРИОДИЧНОСТЬ ПРОФОСМОТРОВ СОСТАВЛЯЕТ 1 РАЗ В 6 МЕСЯЦЕВ, ПРИ ОЧЕНЬ ВЫСОКИХ НАГРУЗКАХ КОНТРОЛЬ РЕКОМЕНДУЕТСЯ ПРОВОДИТЬ 1 РАЗ В 3 МЕСЯЦА. БЛАГОДАРЯ ПРОФОСМОТРАМ МОЖНО ИЗБЕЖАТЬ СЕРЬЕЗНЫХ ПОЛОМОК ПРИБОРА, СНИЗИВ ТЕМ САМЫМ ЗАТРАТЫ НА ЕГО ЭКСПЛУАТАЦИЮ.

ПРЕДУПРЕЖДЕНИЕ:

ГАРАНТИЯ НЕ РАСПРОСТРАНЯЕТСЯ НА ВСЕ БЫСТРО ИЗНАШИВАЕМЫЕ ДЕТАЛИ (РЕЗИНОВЫЕ УПЛОТНЕНИЯ, ЛАМПОЧКИ, СТЕКЛЯННЫЕ И ПЛАСТИКОВЫЕ ЧАСТИ И Т.Д.) ГАРАНТИЯ ТАКЖЕ НЕ ПРЕДОСТАВЛЯЕТСЯ, ЕСЛИ УСТАНОВКА ПРИБОРА НЕ СООТВЕТСТВУЕТ УКАЗАНИЯМ, ПРИВЕДЕННЫМ В ДАННОМ РУКОВОДСТВЕ (Т.Е. УСТАНОВКУ ДОЛЖЕН ПРОВОДИТЬ РАБОТНИК, ИМЕЮЩИЙ КВАЛИФИКАЦИЮ СОГЛАСНО СООТВЕТСТВУЮЩИМ НОРМАМ), ЕСЛИ С ПРИБОРОМ ОБРАЩАЛИСЬ НЕПРОФЕССИОНАЛЬНО (ВМЕШАТЕЛЬСТВО ВО ВНУТРЕННЕЕ ОСНАЩЕНИЕ) ИЛИ ЕСЛИ ПРИБОР ОБСЛУЖИВАЛСЯ НЕОБУЧЕННЫМ ПЕРСОНАЛОМ, НЕ СОБЛЮДАЯ ПРИ ЭТОМ РУКОВОДСТВО ПО ЭКСПЛУАТАЦИИ, ГАРАНТИЯ ТАКЖЕ НЕ ПРЕДОСТАВЛЯЕТСЯ НА ПОВРЕЖДЕНИЯ, ВОЗНИКШИЕ В РЕЗУЛЬТАТЕ ПРИРОДНЫХ ЯВЛЕНИЙ ИЛИ ДРУГИХ ВЛИЯНИЙ ИЗ ВНЕ.

МЕРЫ В СЛУЧАЕ НЕИСПРАВНОСТИ:

НЕМЕДЛЕННО ОТКЛЮЧИТЬ ПОДВОД ТОКА И НЕЗАМЕДЛИТЕЛЬНО ПРИГЛАСИТЬ СЕРВИСНУЮ ОРГАНИЗАЦИЮ, НИ В КОЕМ СЛУЧАЕ НЕ ПЫТАТЬСЯ КАКИМ-ЛИБО ОБРАЗОМ МАНИПУЛИРОВАТЬ С ПРИБОРОМ.

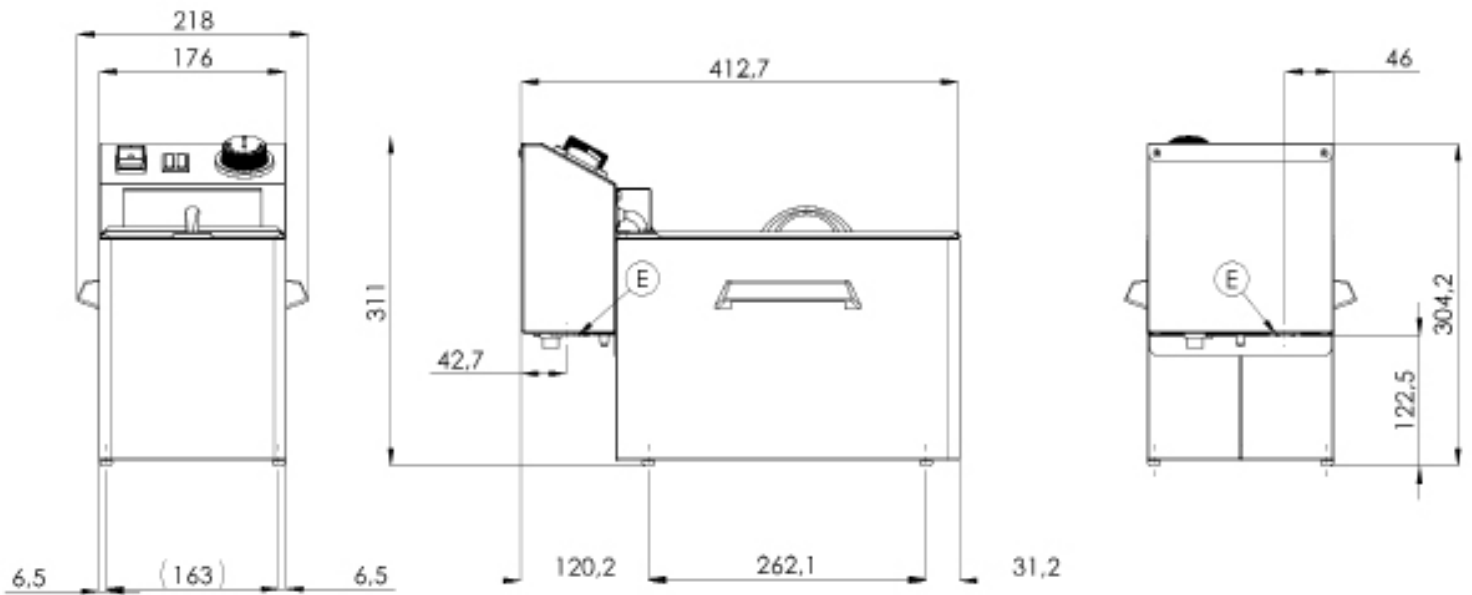
ИЗГОТОВИТЕЛЬ НЕ НЕСЕТ НИКАКОЙ ОТВЕТСТВЕННОСТИ ЗА ТРАВМЫ И УЩЕРБ, НАНЕСЕННЫЙ ИМУЩЕСТВУ, ВОЗНИКШИЕ ПО ПРИЧИНЕ НЕСОБЛЮДЕНИЯ ПРАВИЛ ТЕХНИКИ БЕЗОПАСНОСТИ ИЛИ ИСПОЛЬЗОВАНИЯ ПРИБОРА НЕ ПО НАЗНАЧЕНИЮ.

УКАЗАНИЯ ПО УТИЛИЗАЦИИ:

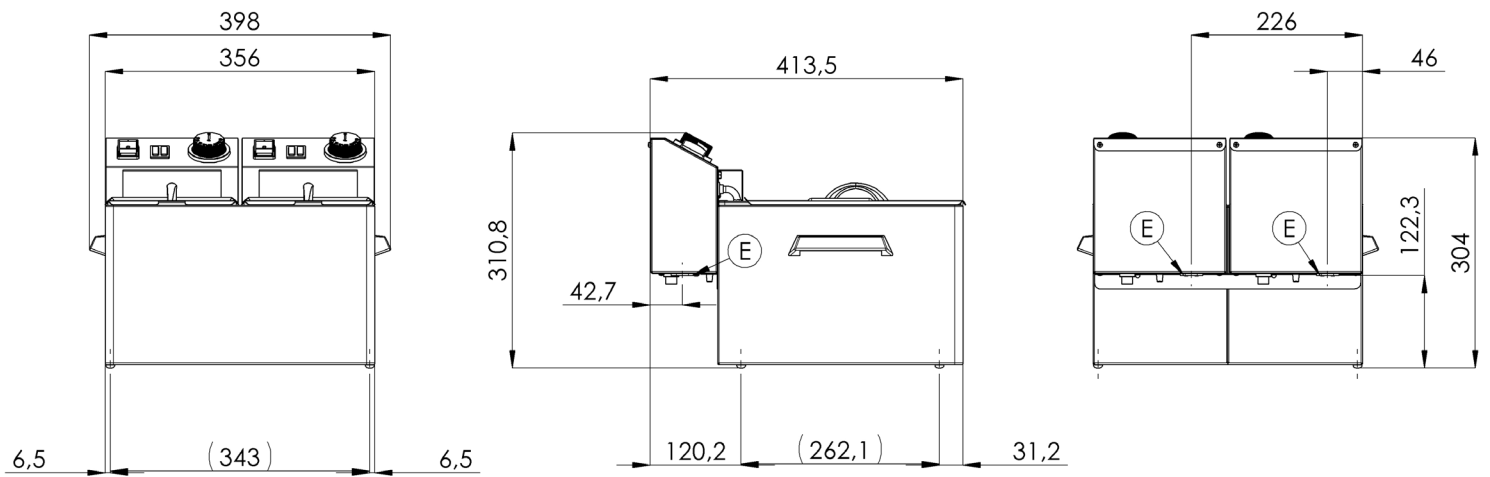
УПАКОВОЧНЫЕ МАТЕРИАЛЫ СЛЕДУЕТ УТИЛИЗИРОВАТЬ В СООТВЕТСТВИИ С ДЕЙСТВУЮЩИМ ЗАКОНОДАТЕЛЬСТВОМ. ОТСЛУЖИВШИЙ ПРИБОР ДОЛЖЕН БЫТЬ ТАКЖЕ ПРАВИЛЬНО УТИЛИЗИРОВАН. ДЛЯ ПОЛУЧЕНИЯ БОЛЕЕ ПОДРОБНОЙ ИНФОРМАЦИИ ПО ДАННОМУ ВОПРОСУ СВЯЖИТЕСЬ С ПРОДАВЦОМ ОБОРУДОВАНИЯ ИЛИ АВТОРИЗОВАННЫМ СЕРВИСОМ.

РАЗМЕРЫ

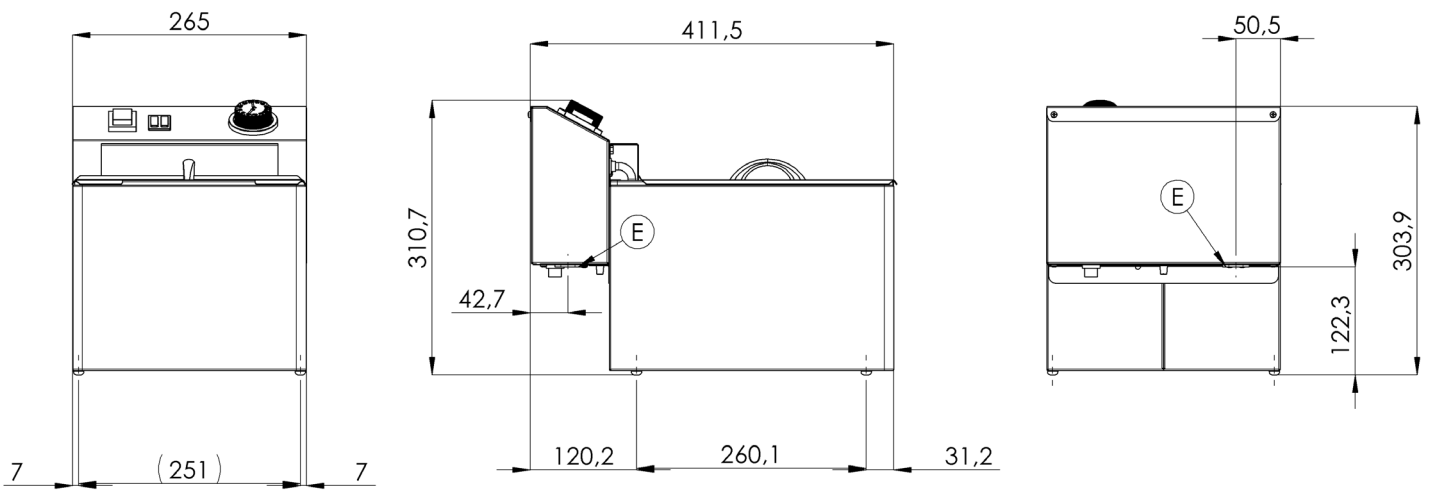
FE-04 E



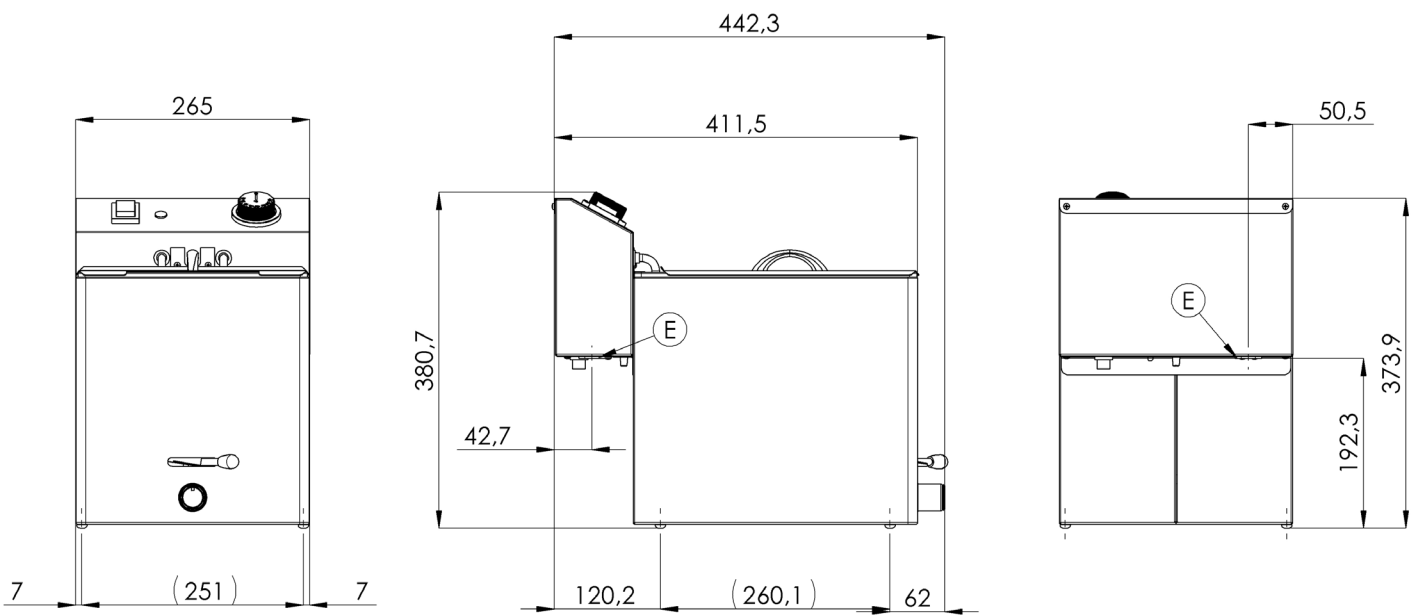
FE-44 E



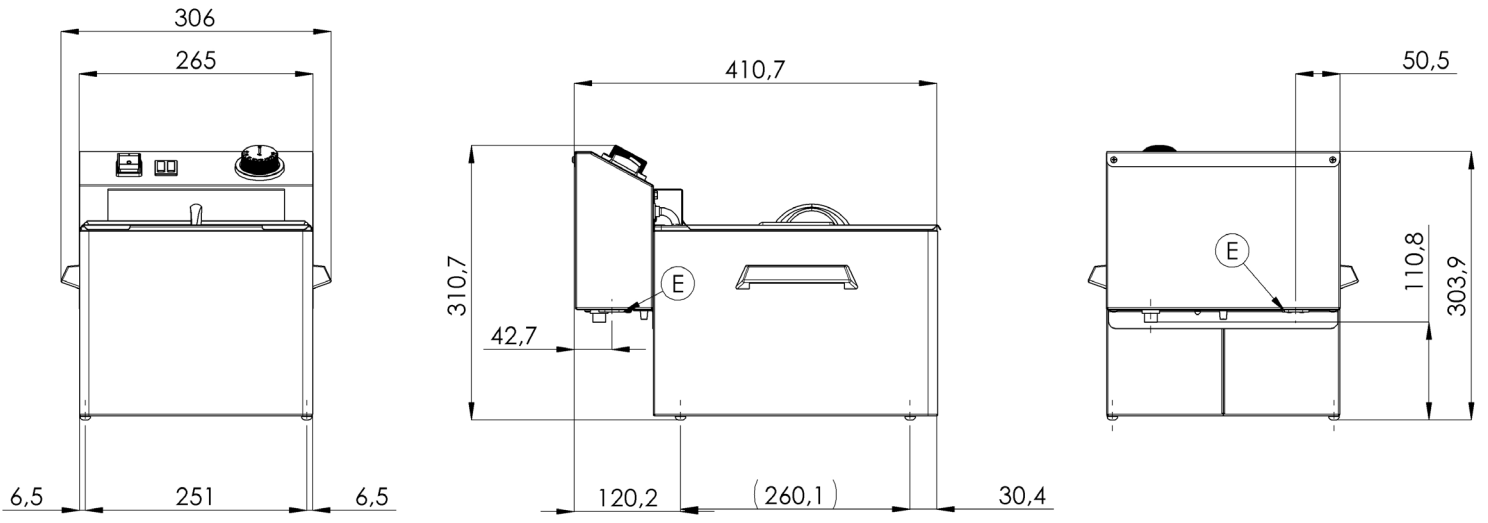
FE-07 ECO



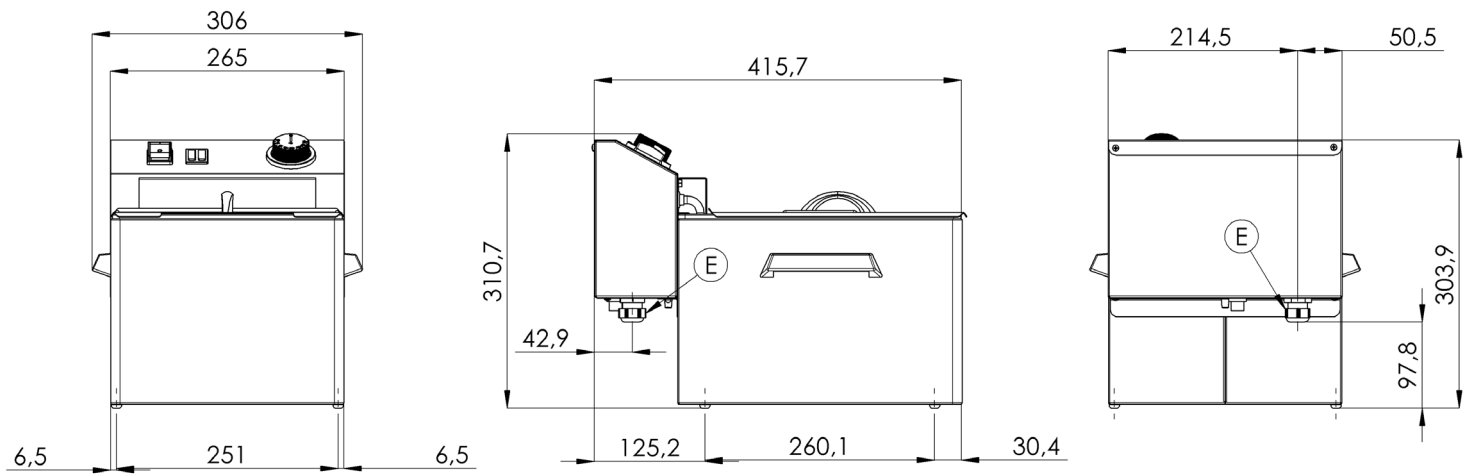
FE-07 E/V



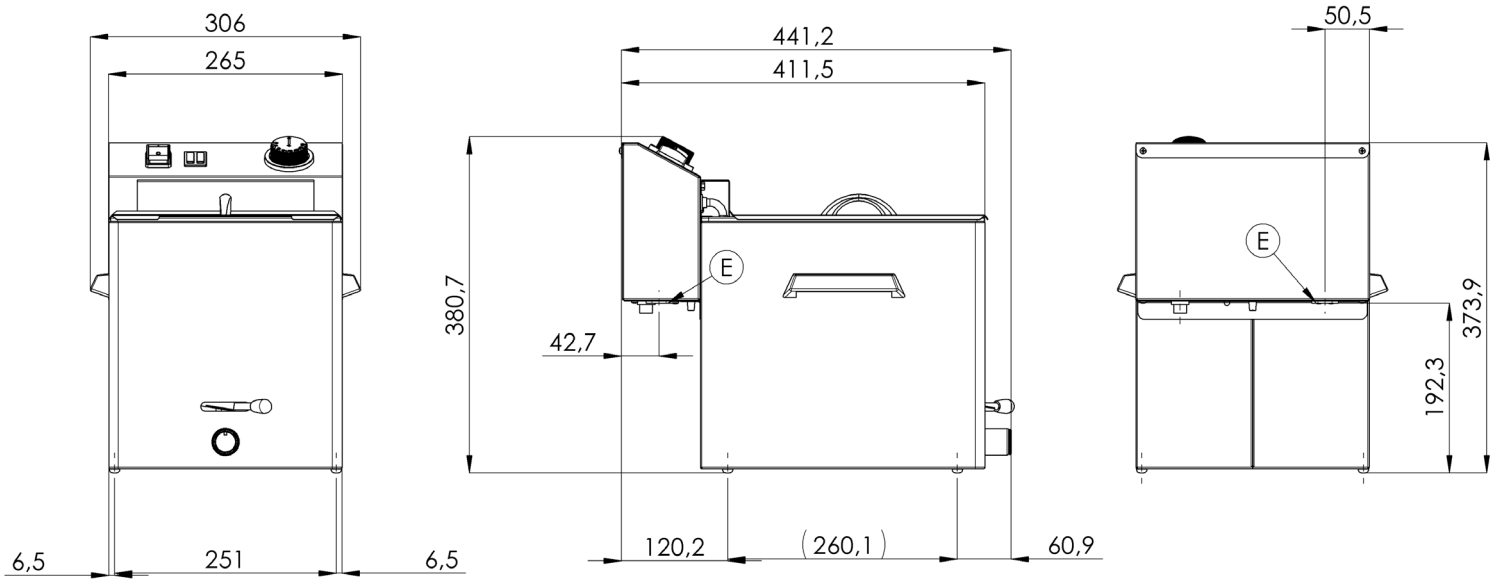
FE-07 S



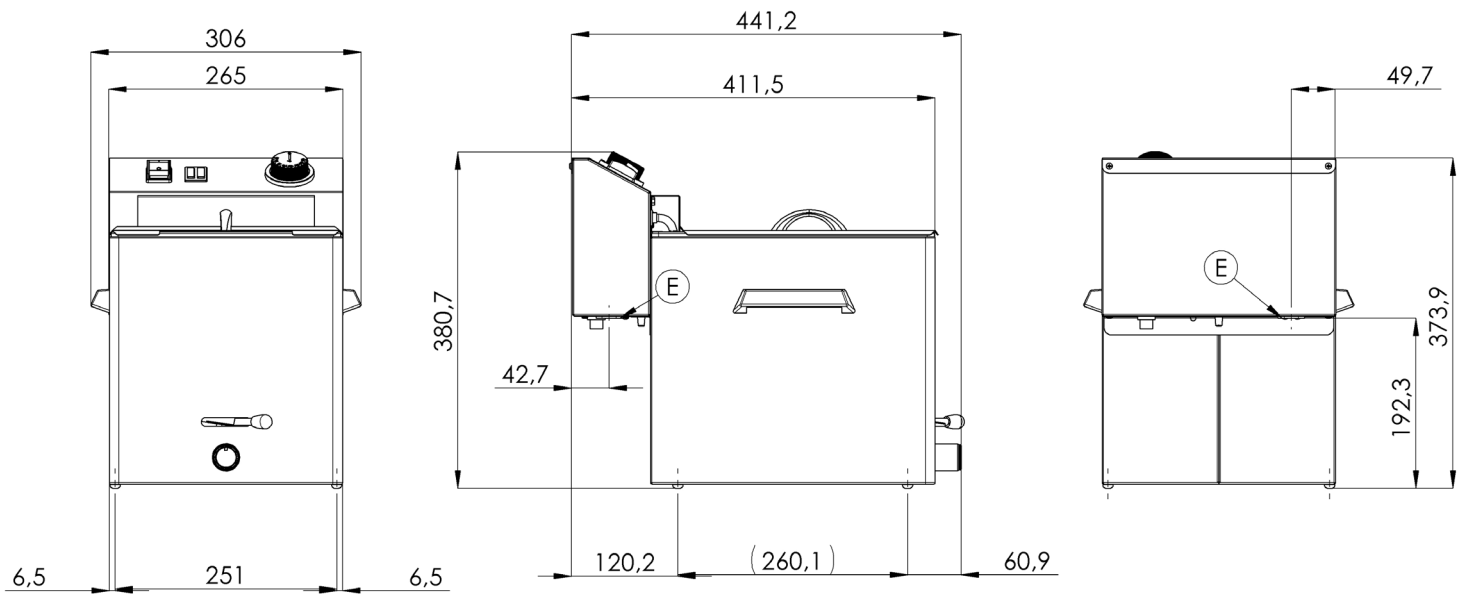
FE-07 T



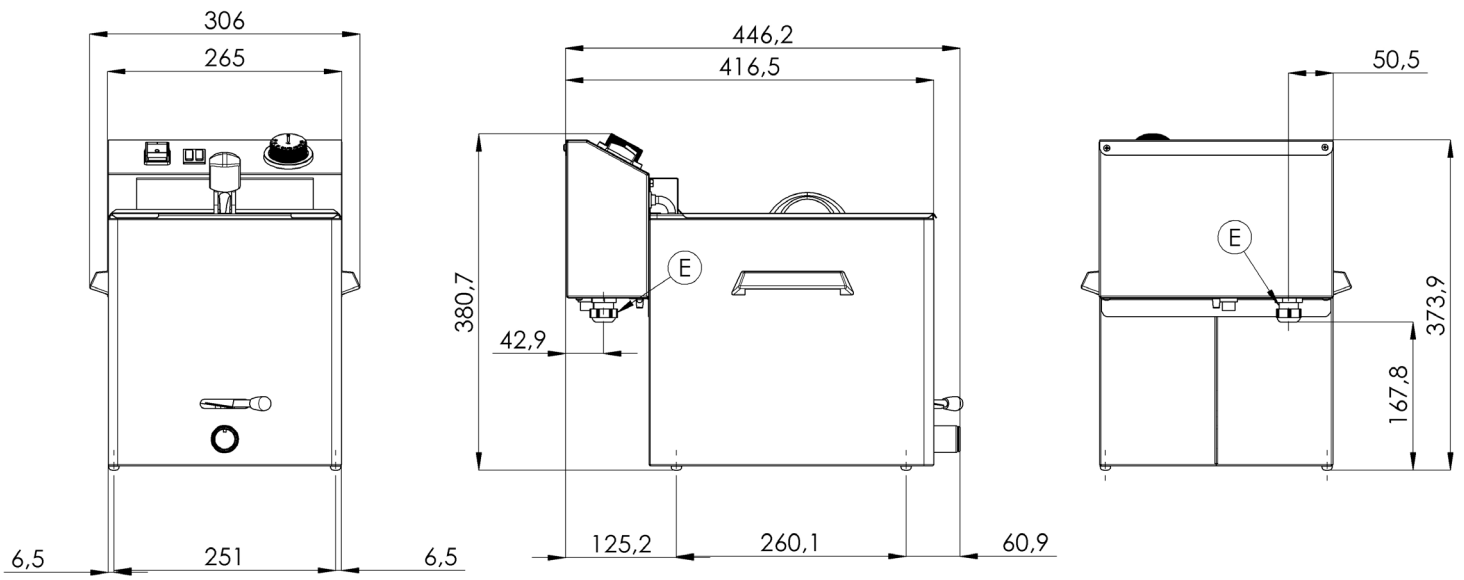
FE-07 V



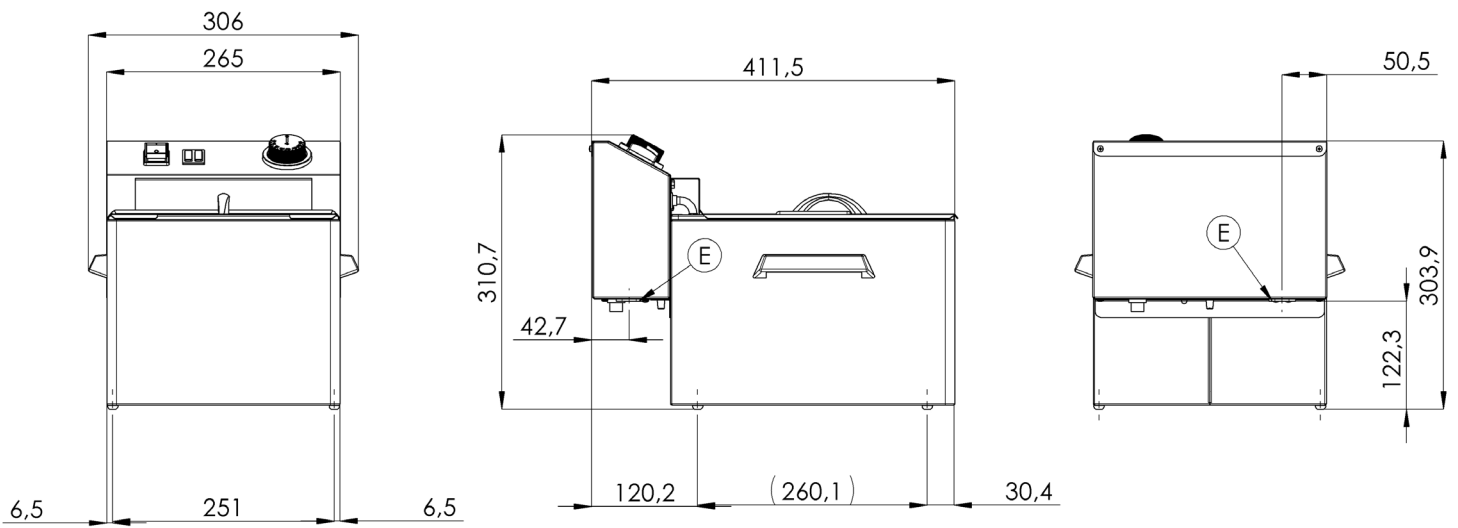
FE-07 VS



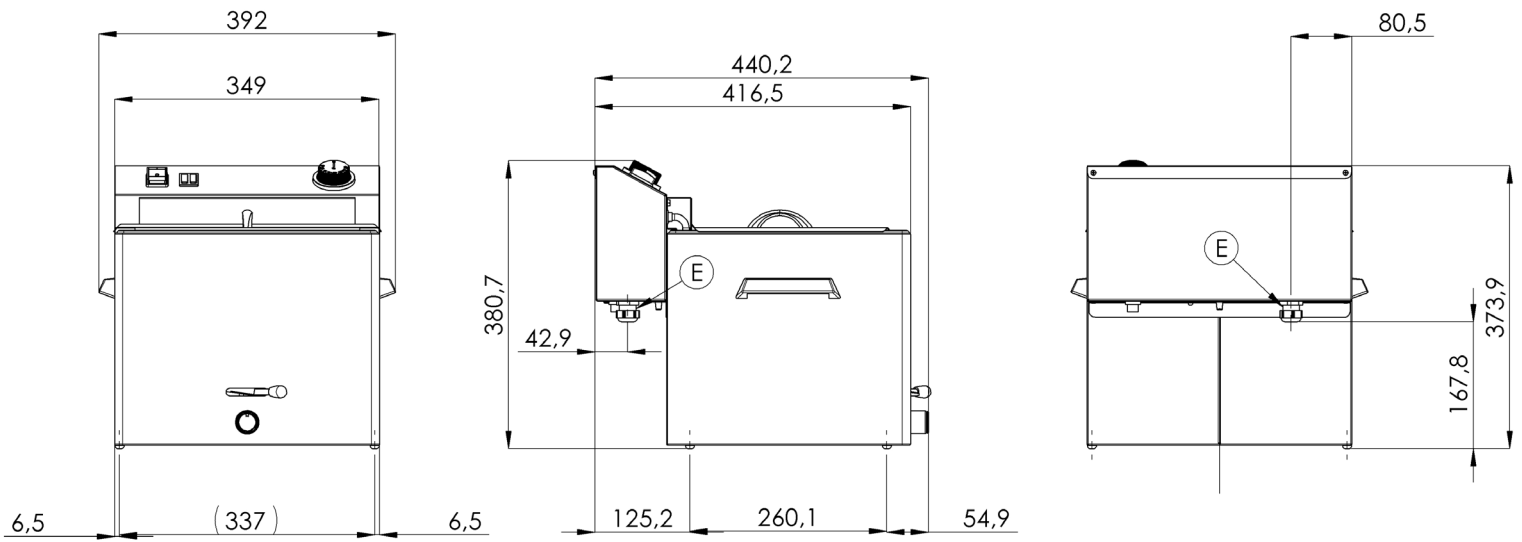
FE-07 VT



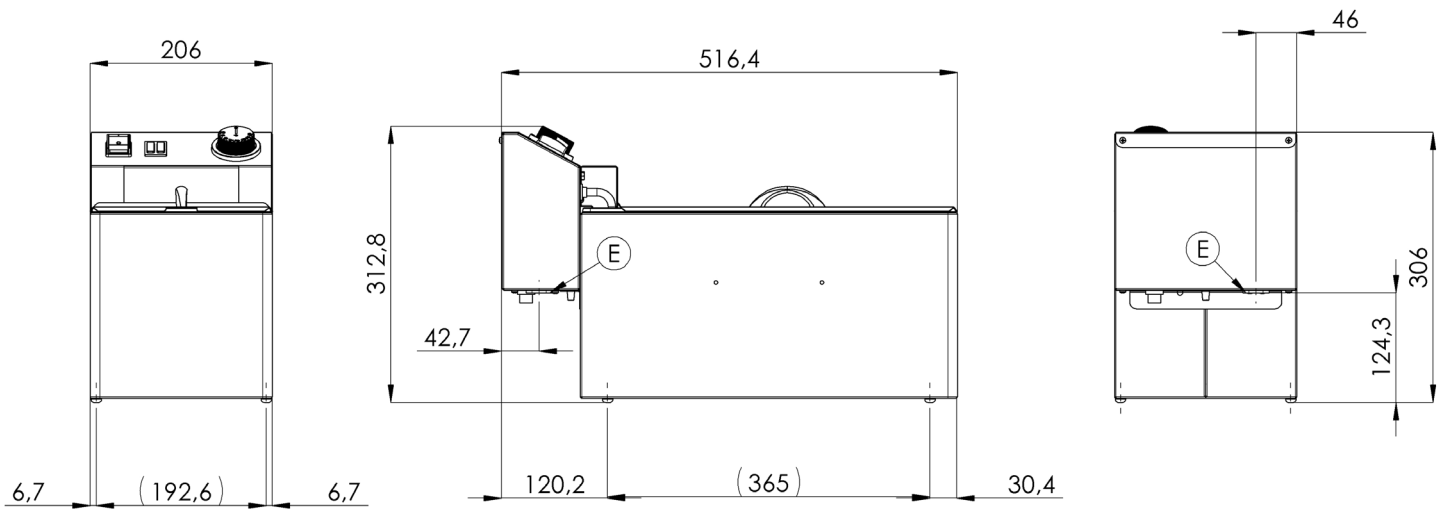
FE-07 E



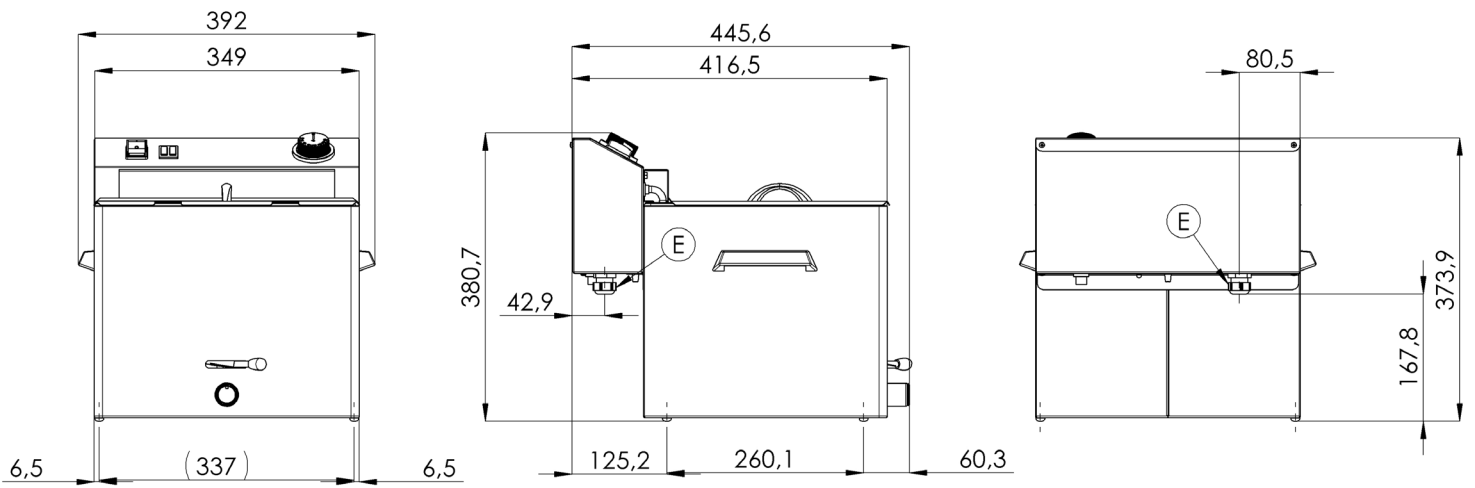
FE-10 T



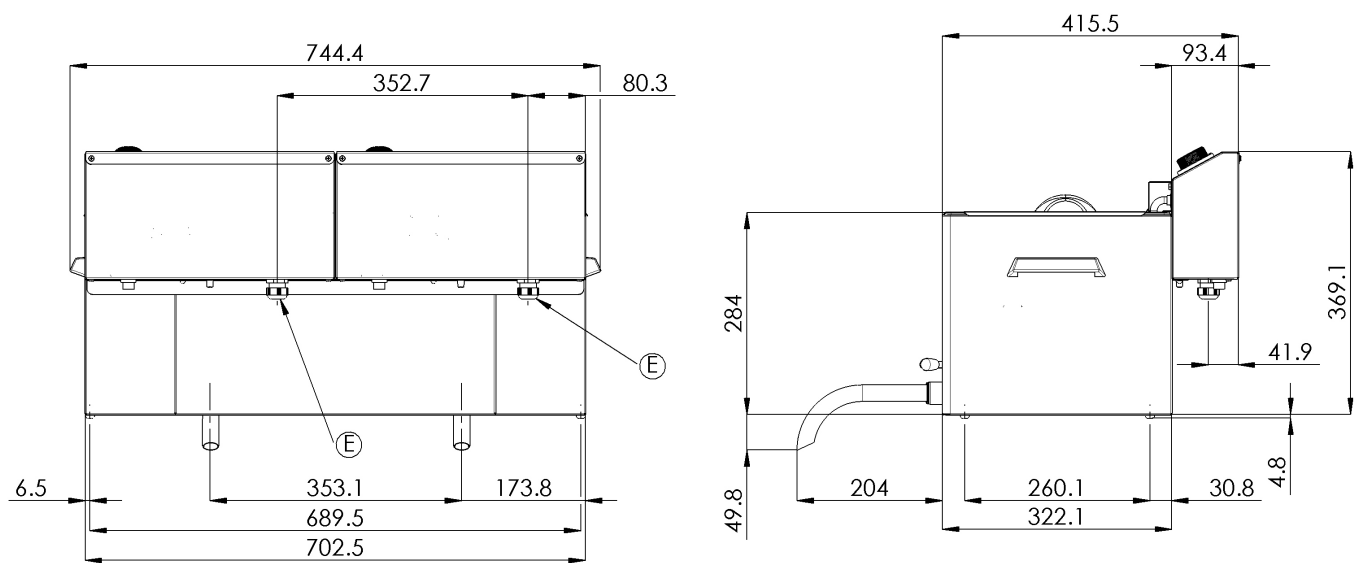
FE-08 E



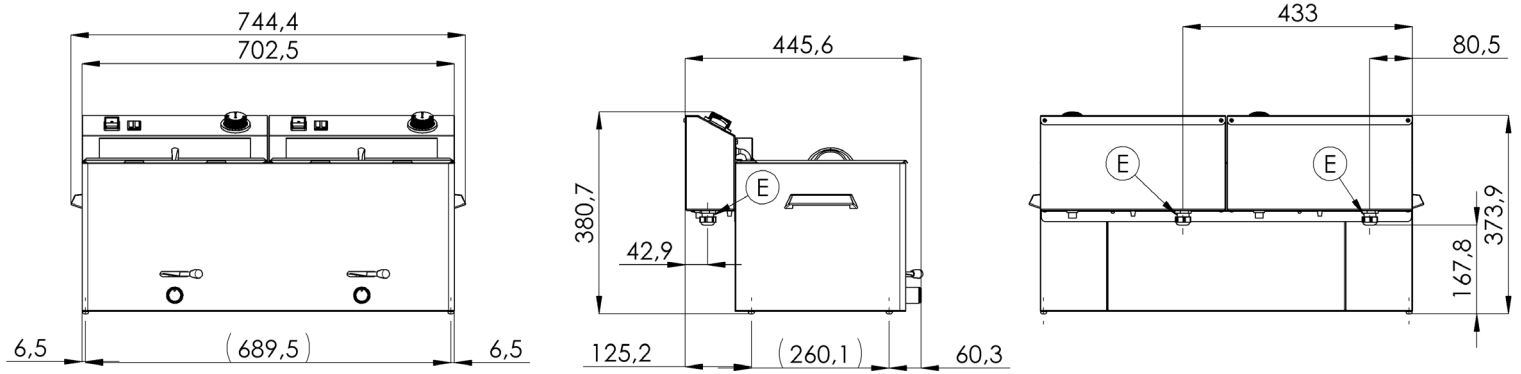
FE-10 TD



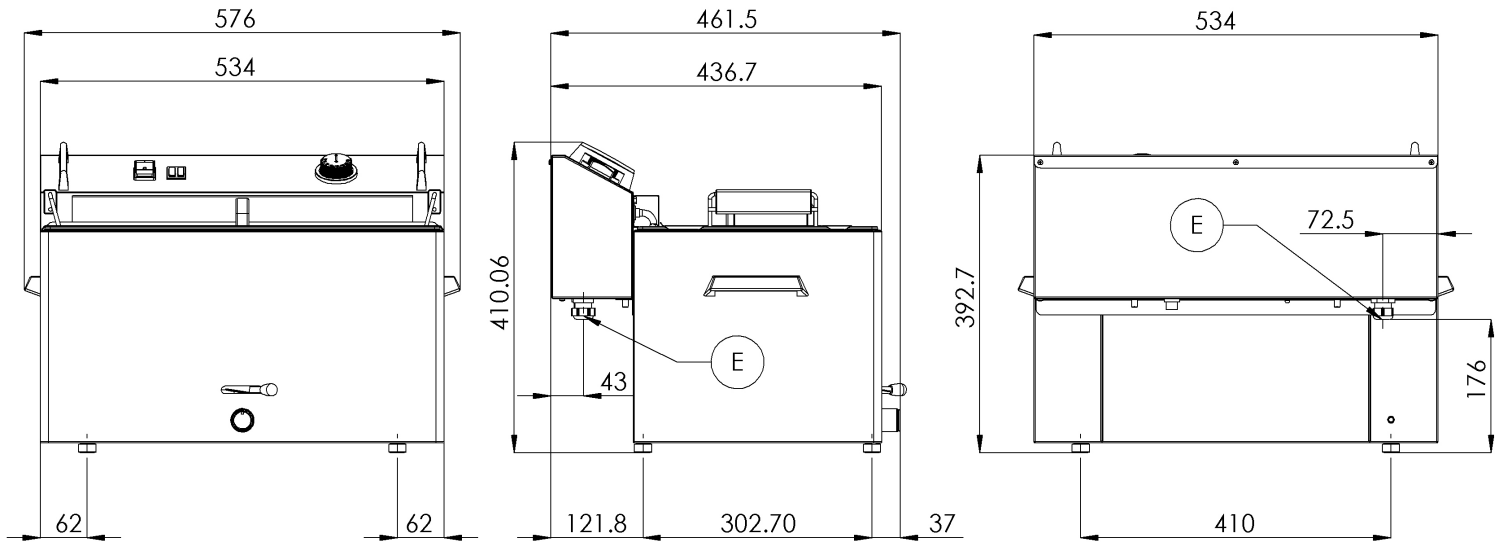
FE-1010 T



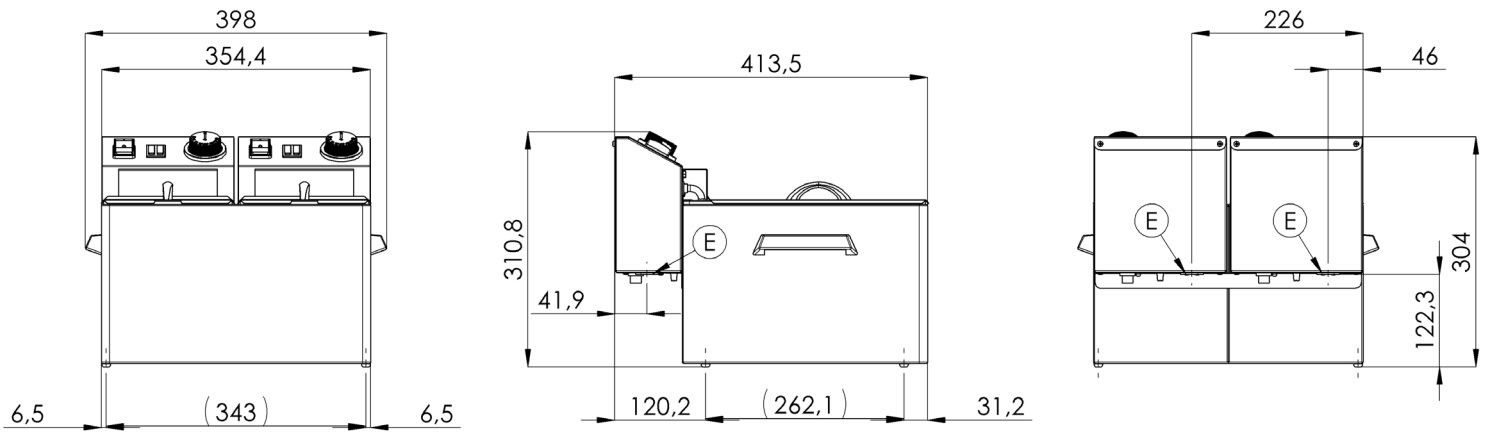
FE-1010 TD



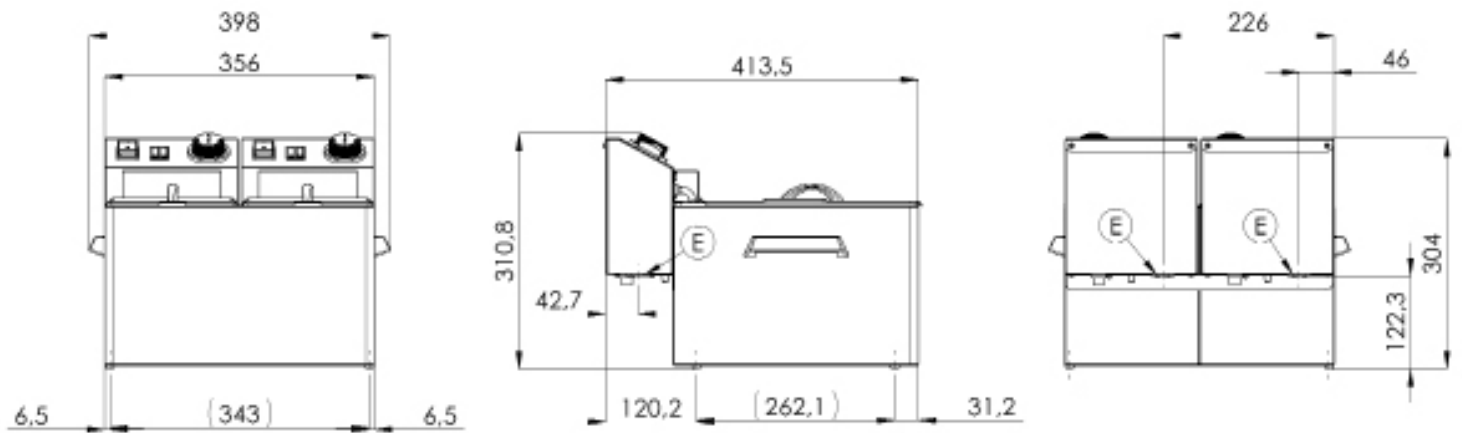
FE-30



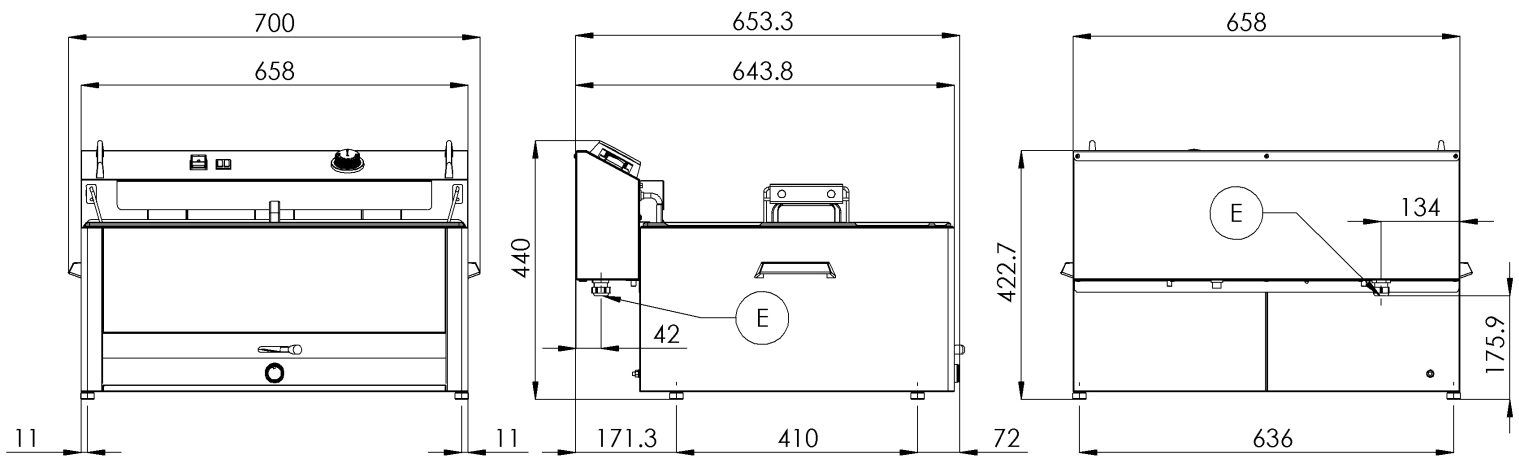
FE-44 S



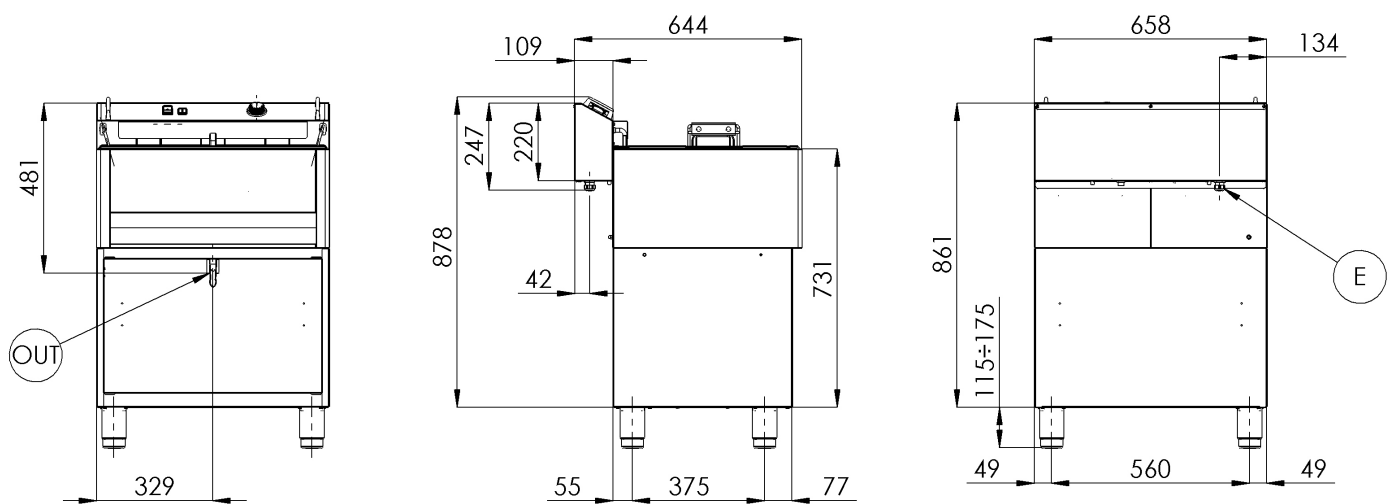
FE-44



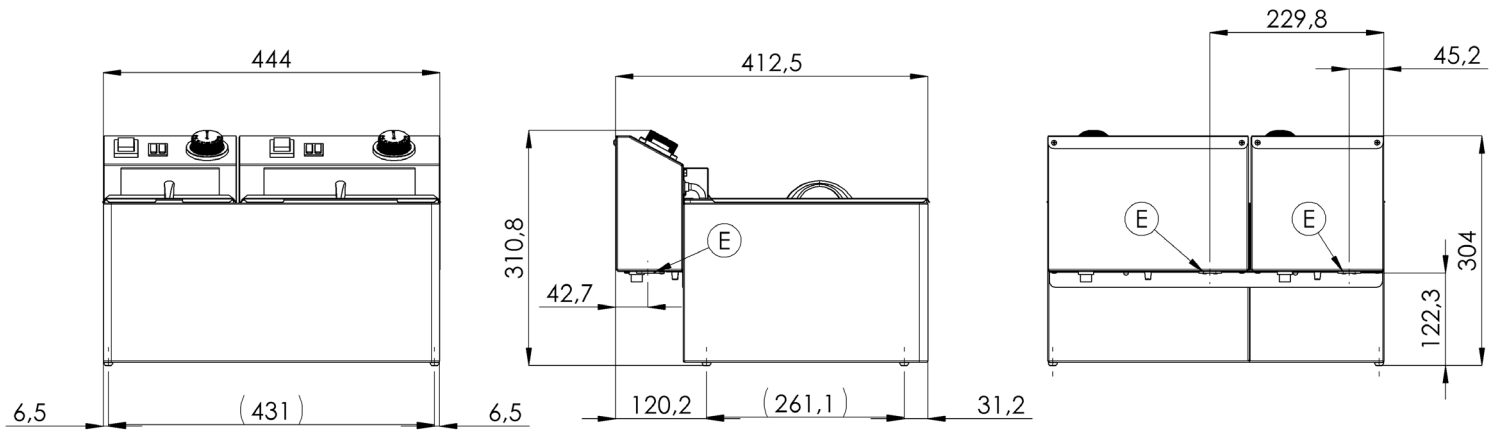
FE-60



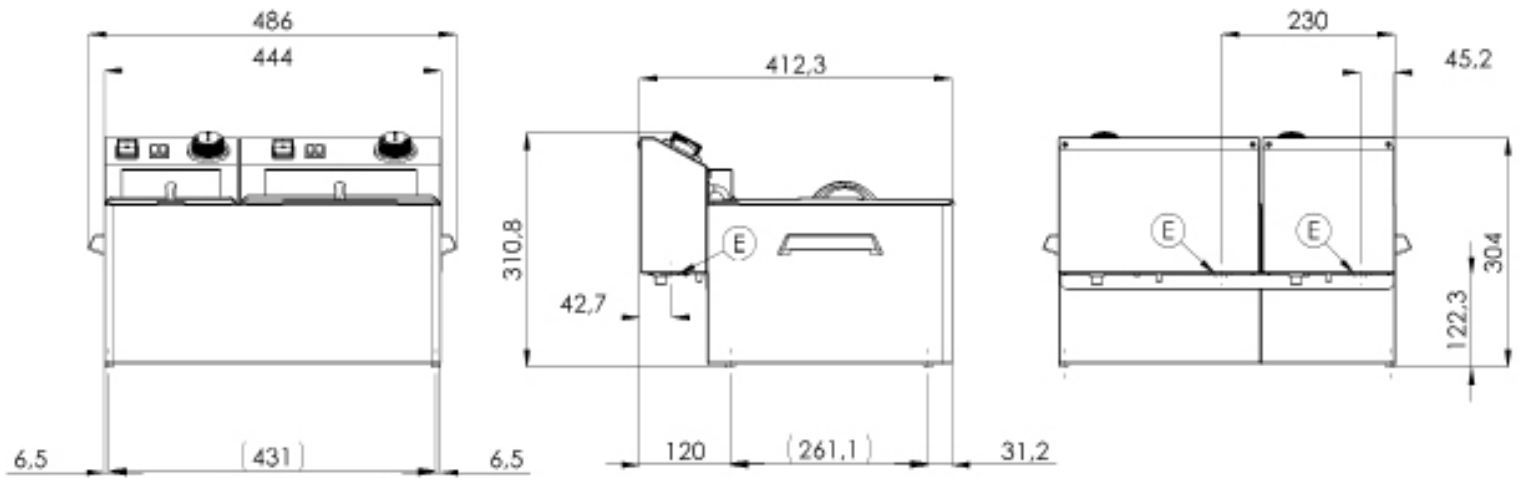
FE-60/P

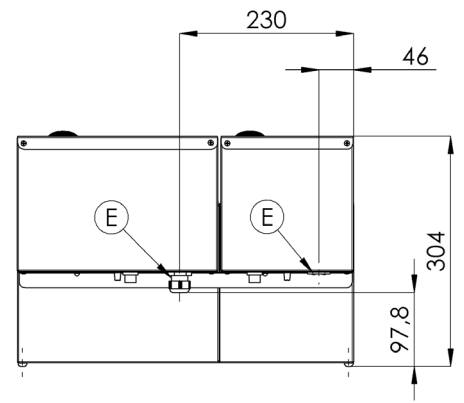
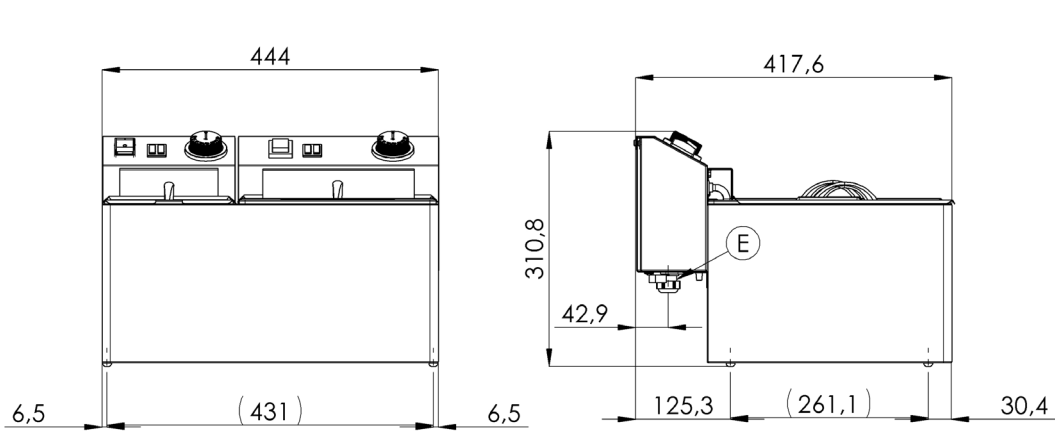


FE-74 ECO

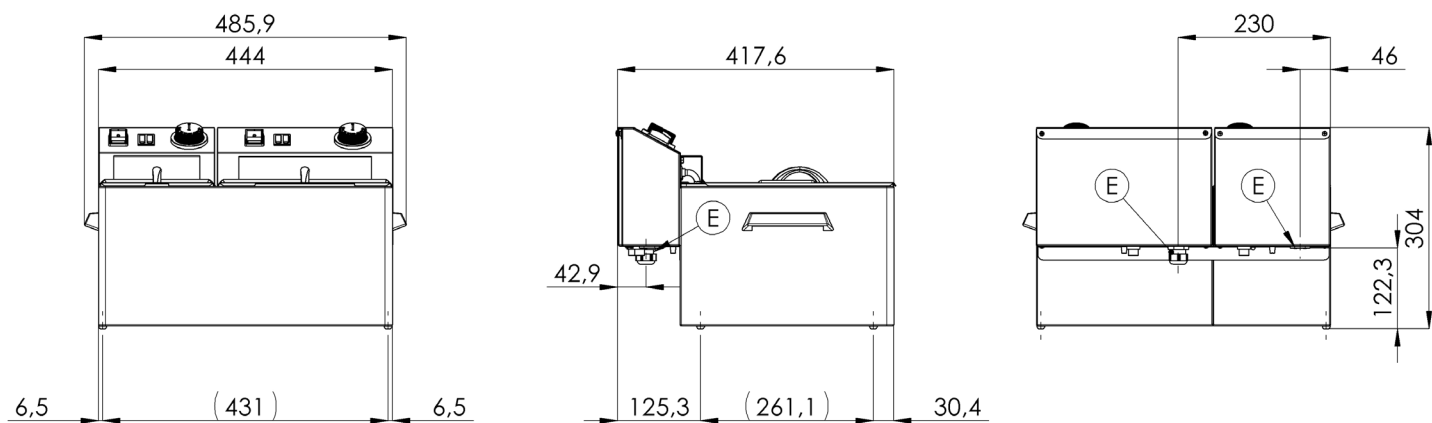


FE-74 S

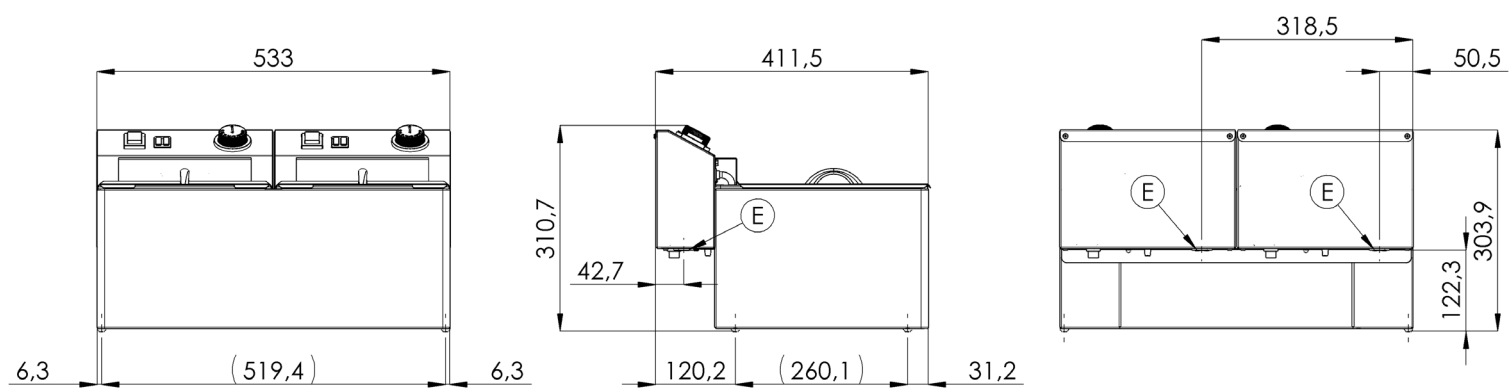




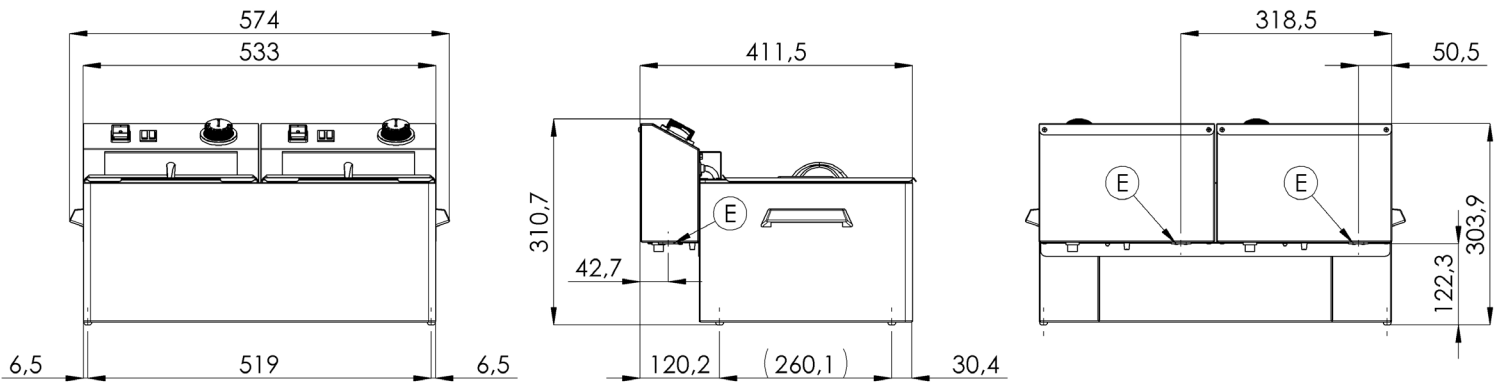
FE-74 TS



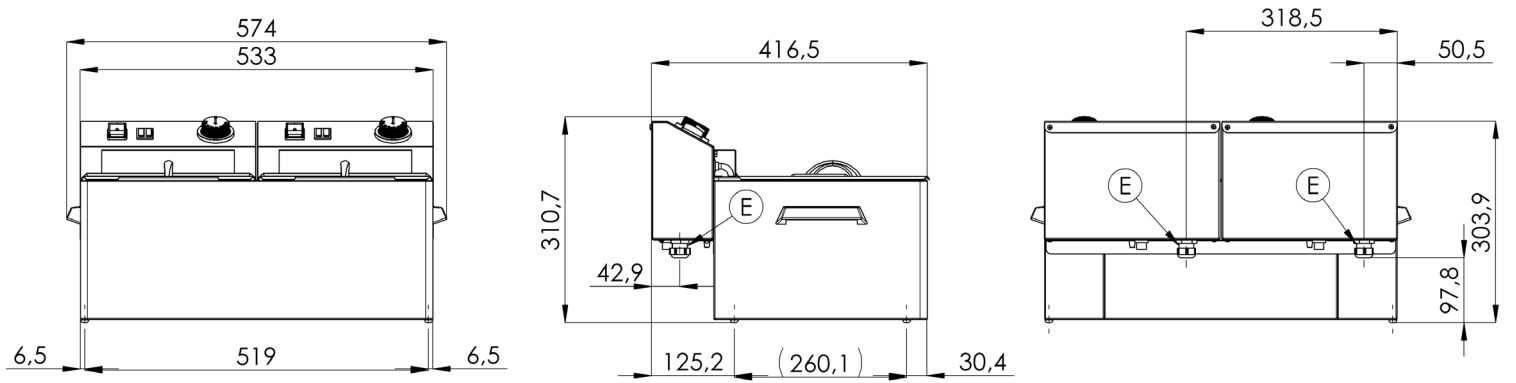
FE-77 ECO



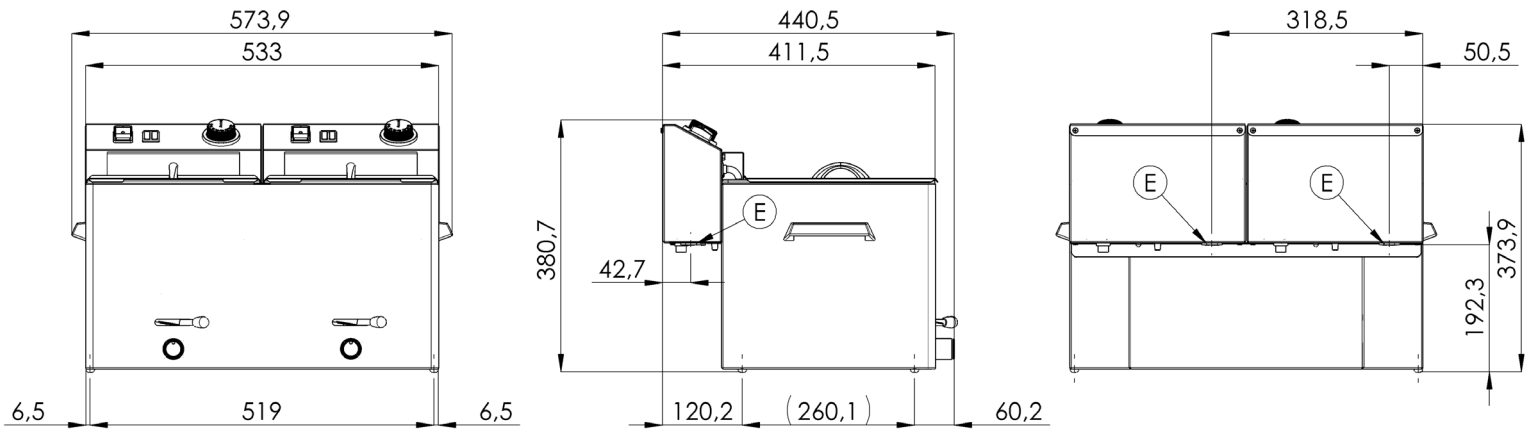
FE-77 S



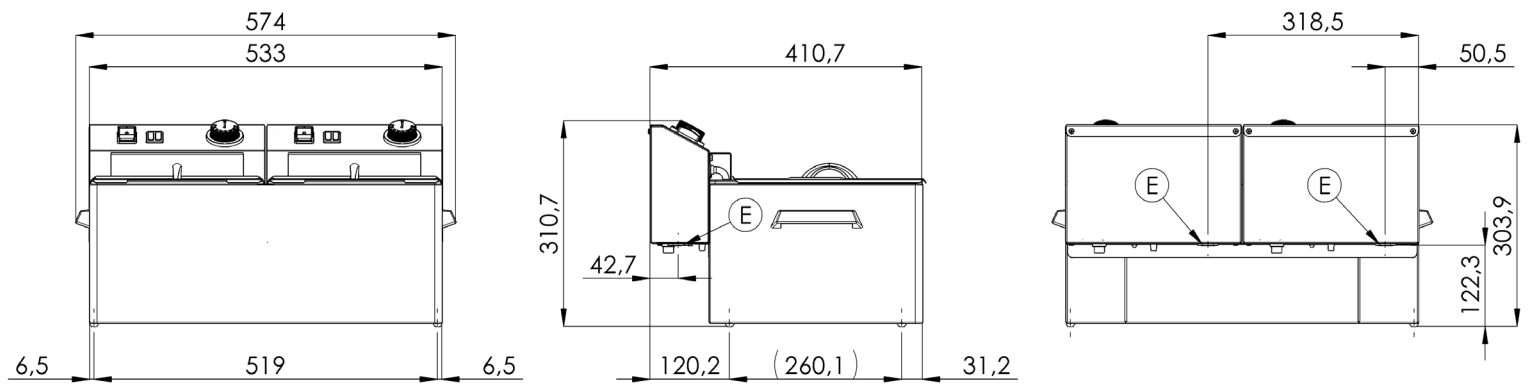
FE-77 T



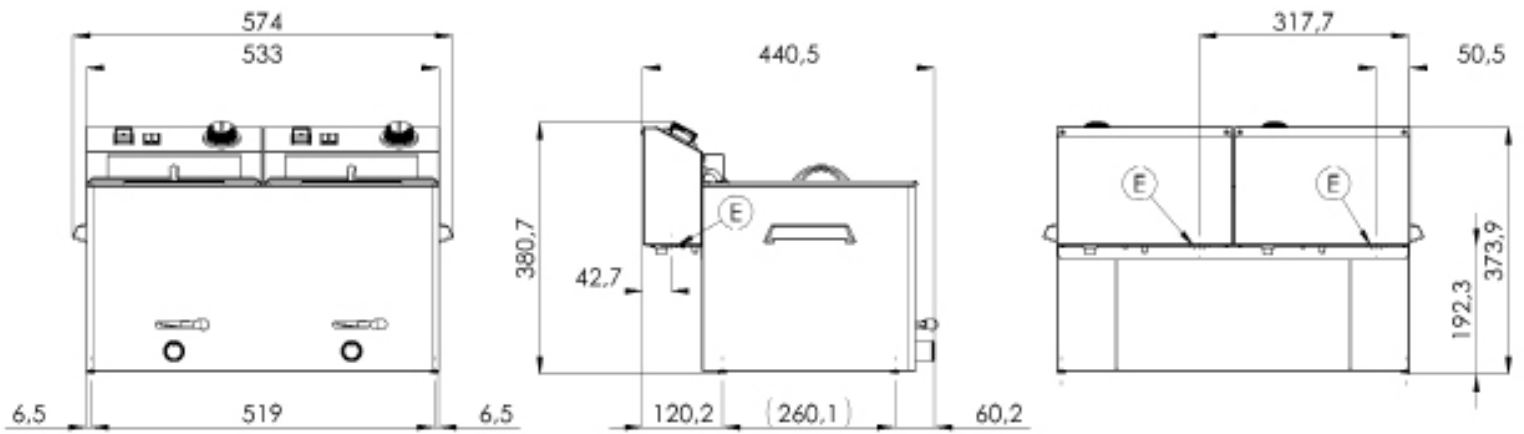
FE-74 VS



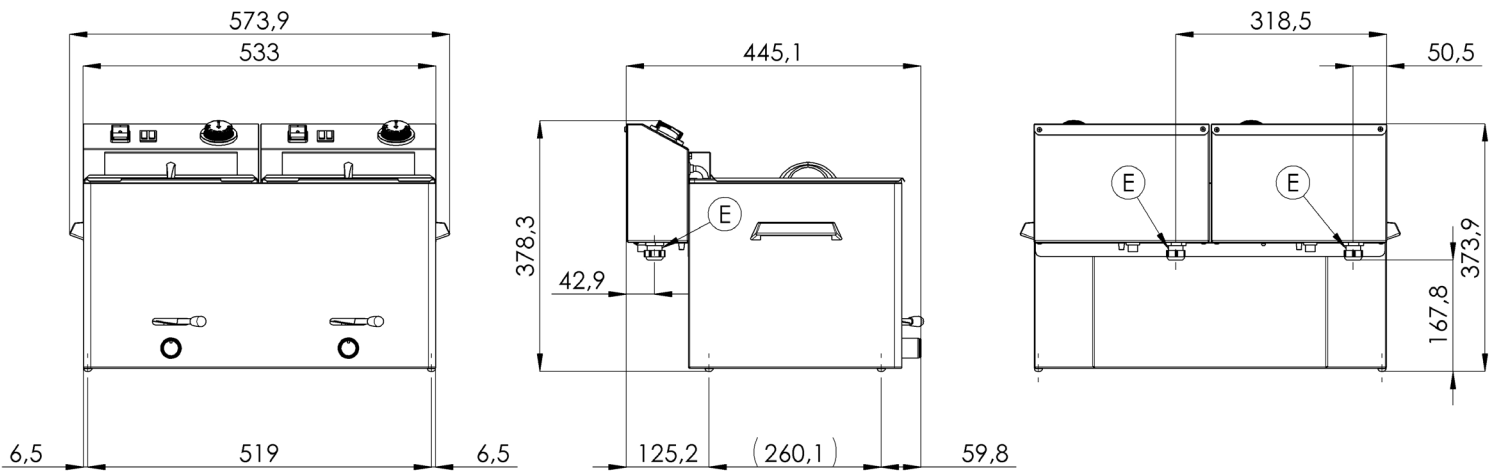
FE-77



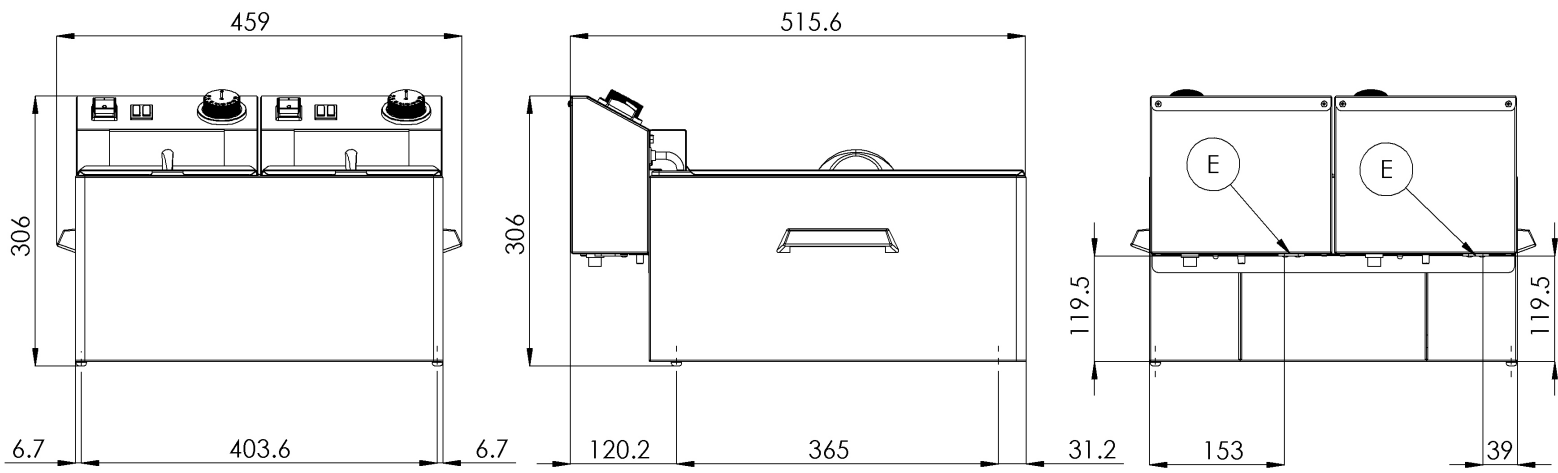
FE-77 V



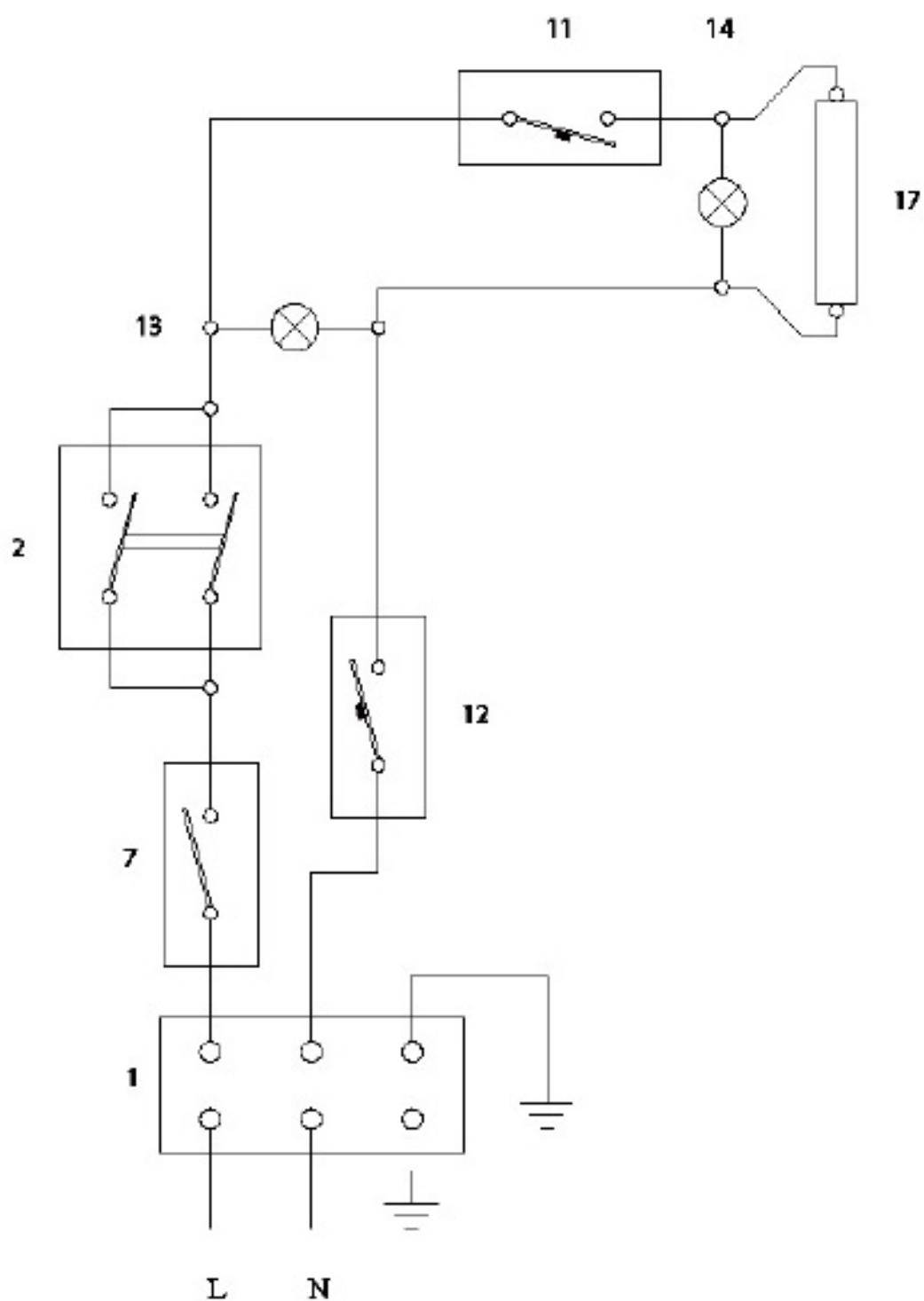
FE-77 VT



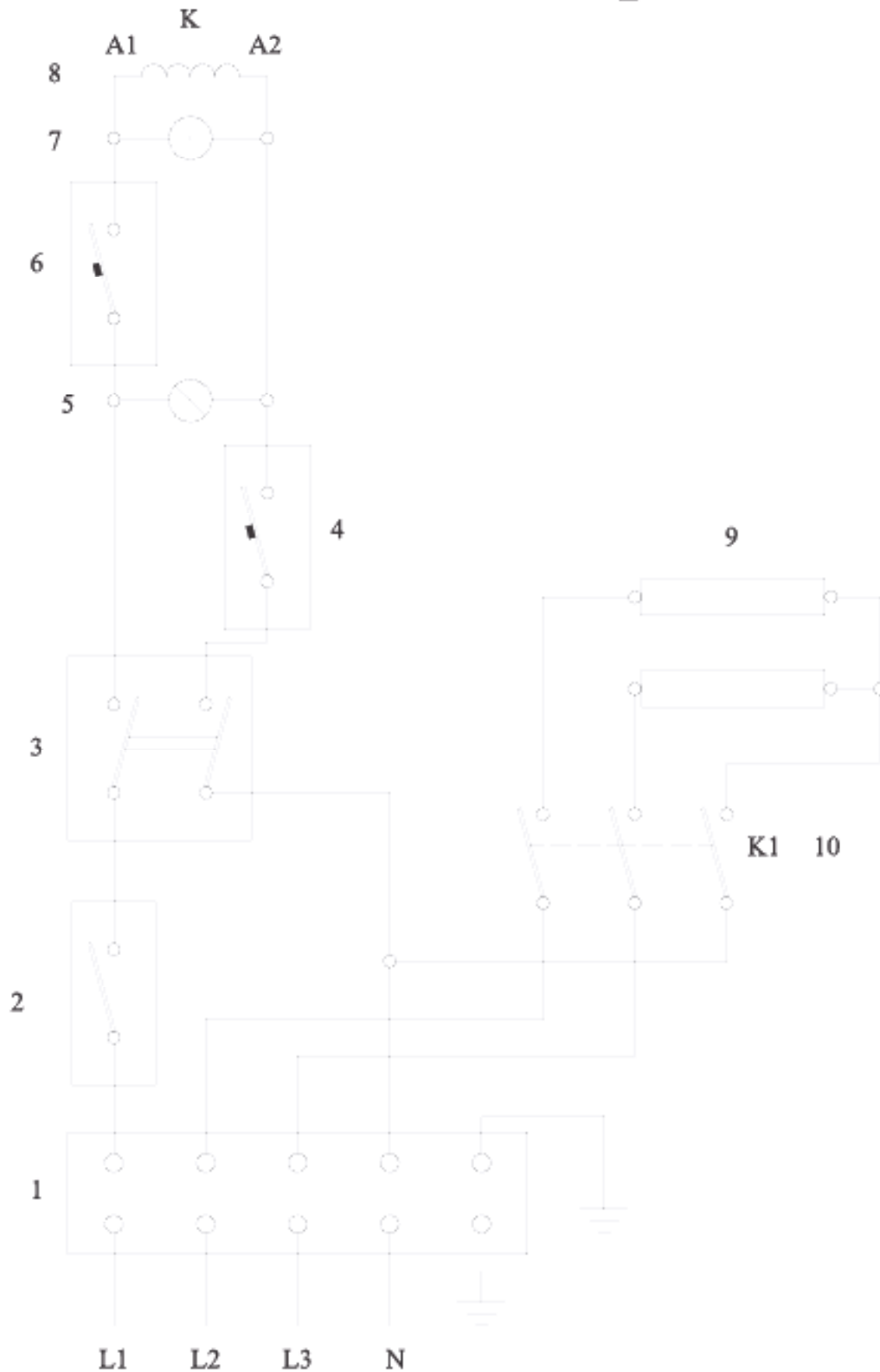
FE-88 E



**WIRING DIAGRAM: FE 04, FE 04 ECO_2, FE 07, FE 07 ECO_2,
FE 44, FE 74, FE 08 EV, FE 88 EV**



WIRING DIAGRAM: FE 07T, FE 07T ECO_2, FE 77T



1 - terminal board

2 - microswitch

3 - main switch

4 - safety thermostat 230°C

5 - orange warning light

6 - thermostat

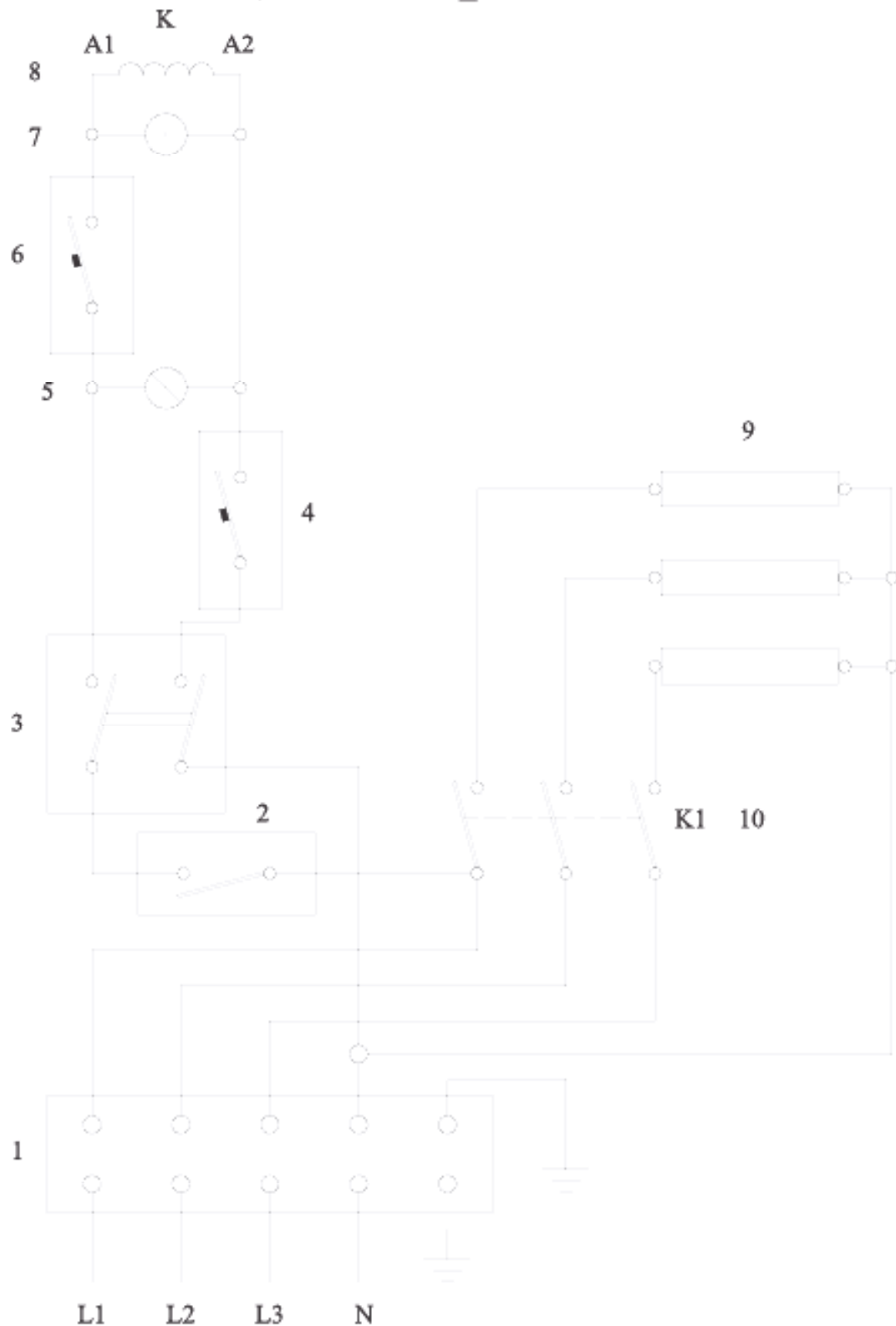
7 - green warning light

8 - relay

9 - heating element

10 - contact of relay

WIRING DIAGRAM: FE 10T, FE 10T ECO_2



1 - terminal board

2 - microswitch

3 - main switch

4 - safety thermostat 230°C

5 - orange warning light

6 - thermostat

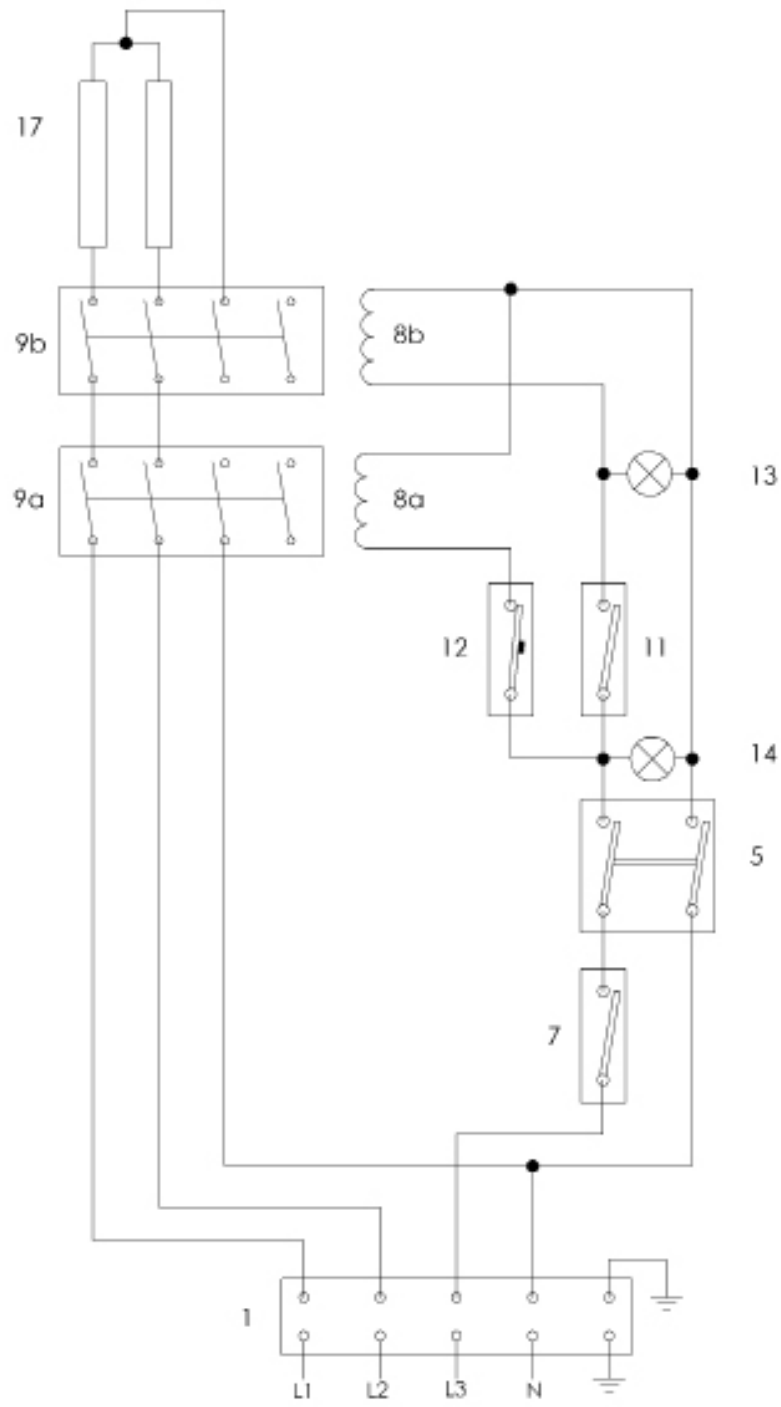
7 - green warning light

8 - relay

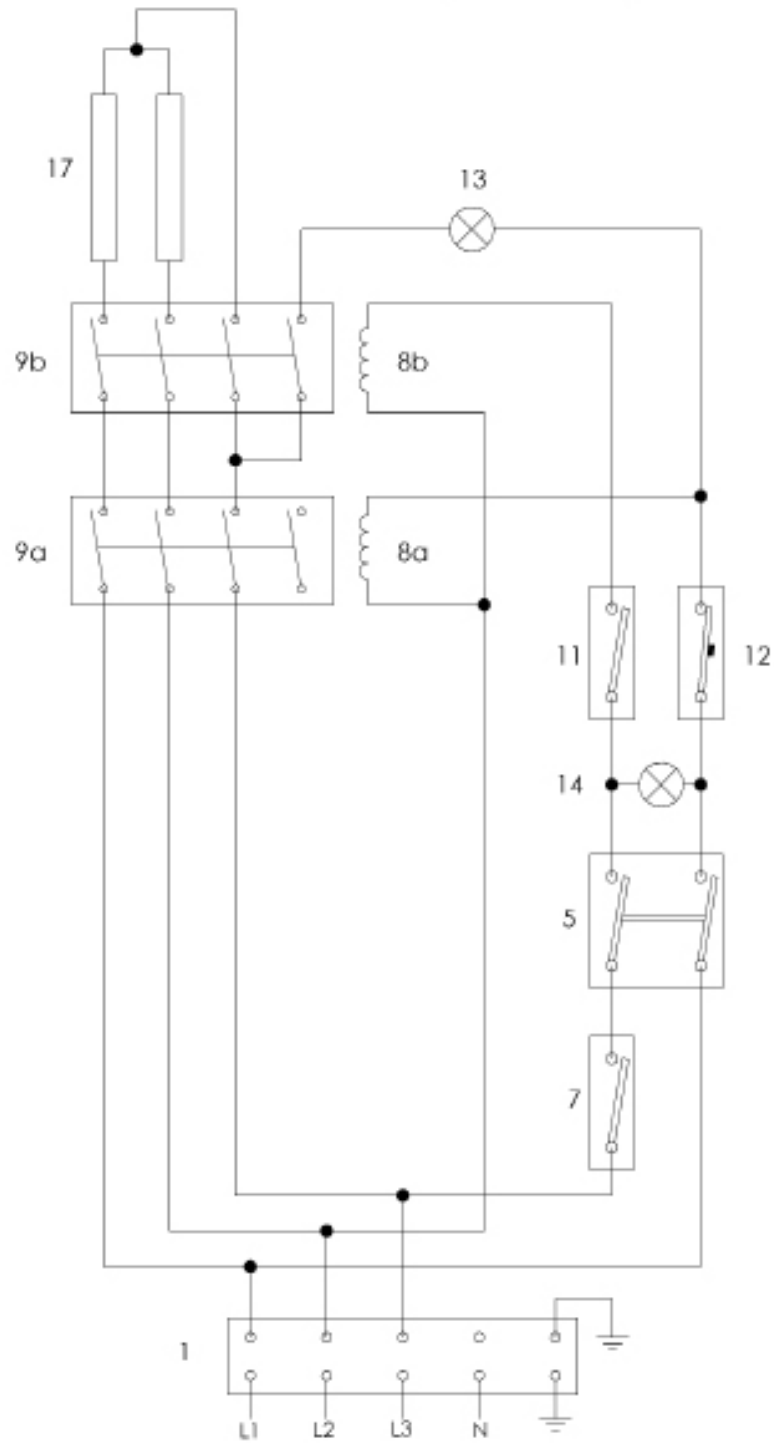
9 - heating element

10 - contact of relay

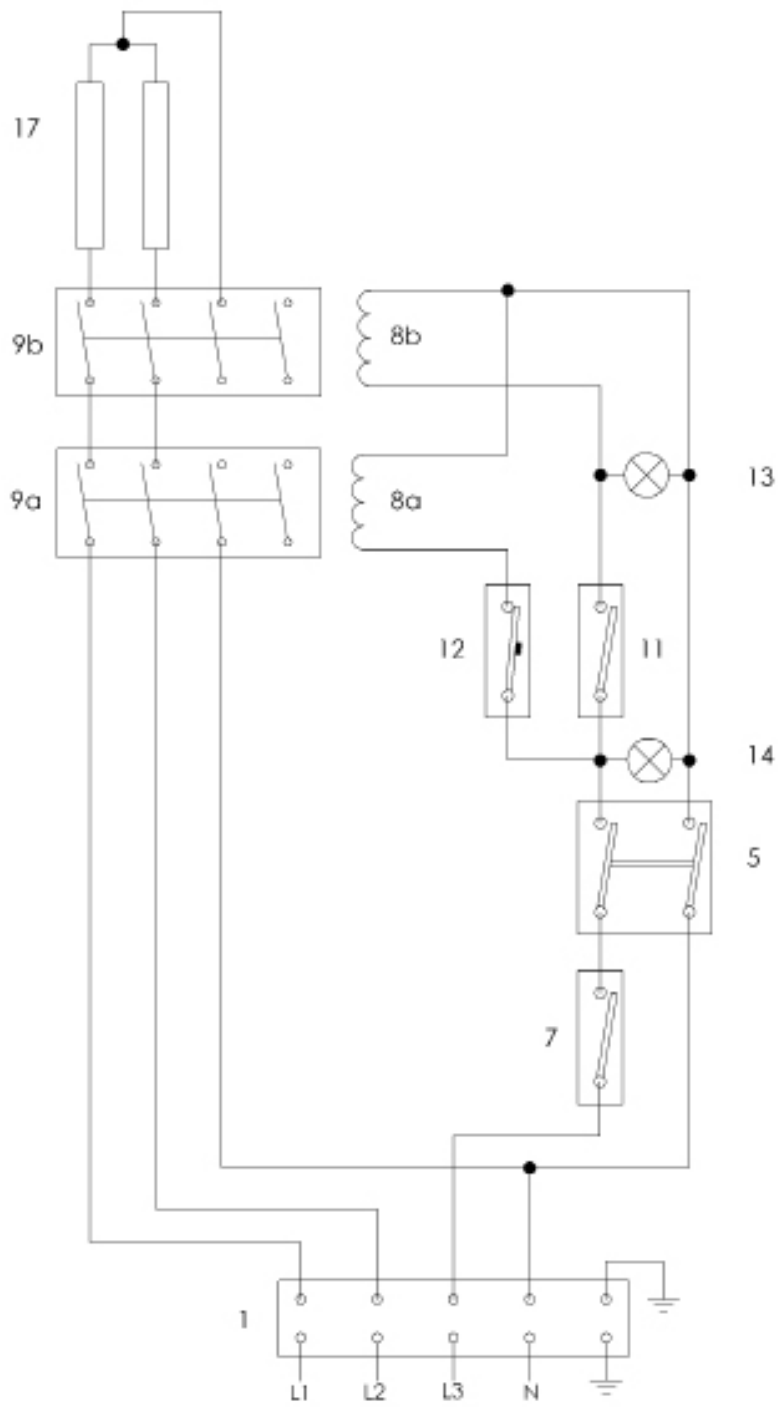
FE - 07 T (400 V, 2x contactor)



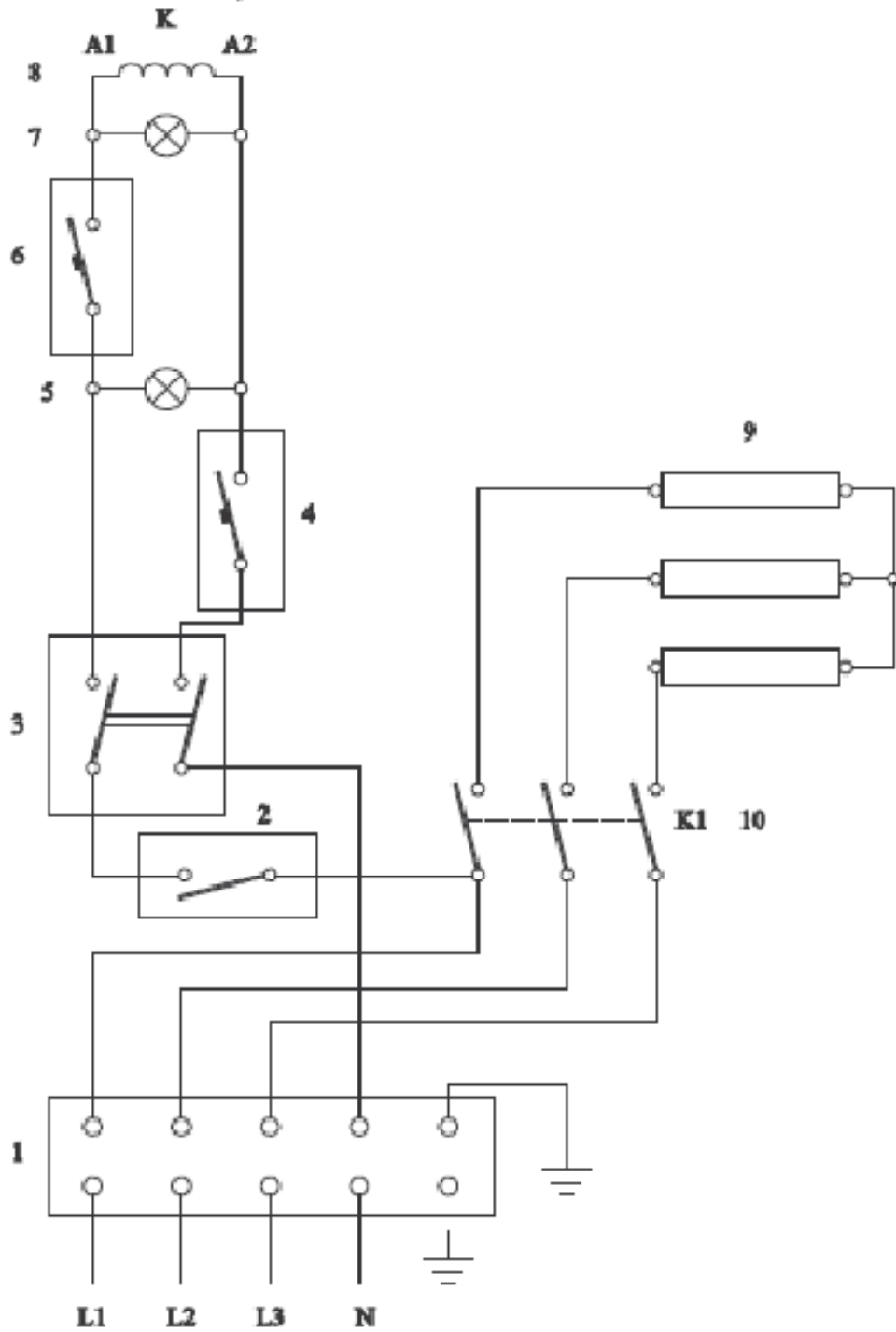
FE - 07 T (230 V/3, 2x contactor)



FE - 07 T (400 V/3N, 2x contactor)



WIRING DIAGRAM: FE 30, FE 60



1 - terminal board

2 - microswitch

3 - main switch

4 - safety thermostat 230°C

5 - orange warning light

6 - thermostat

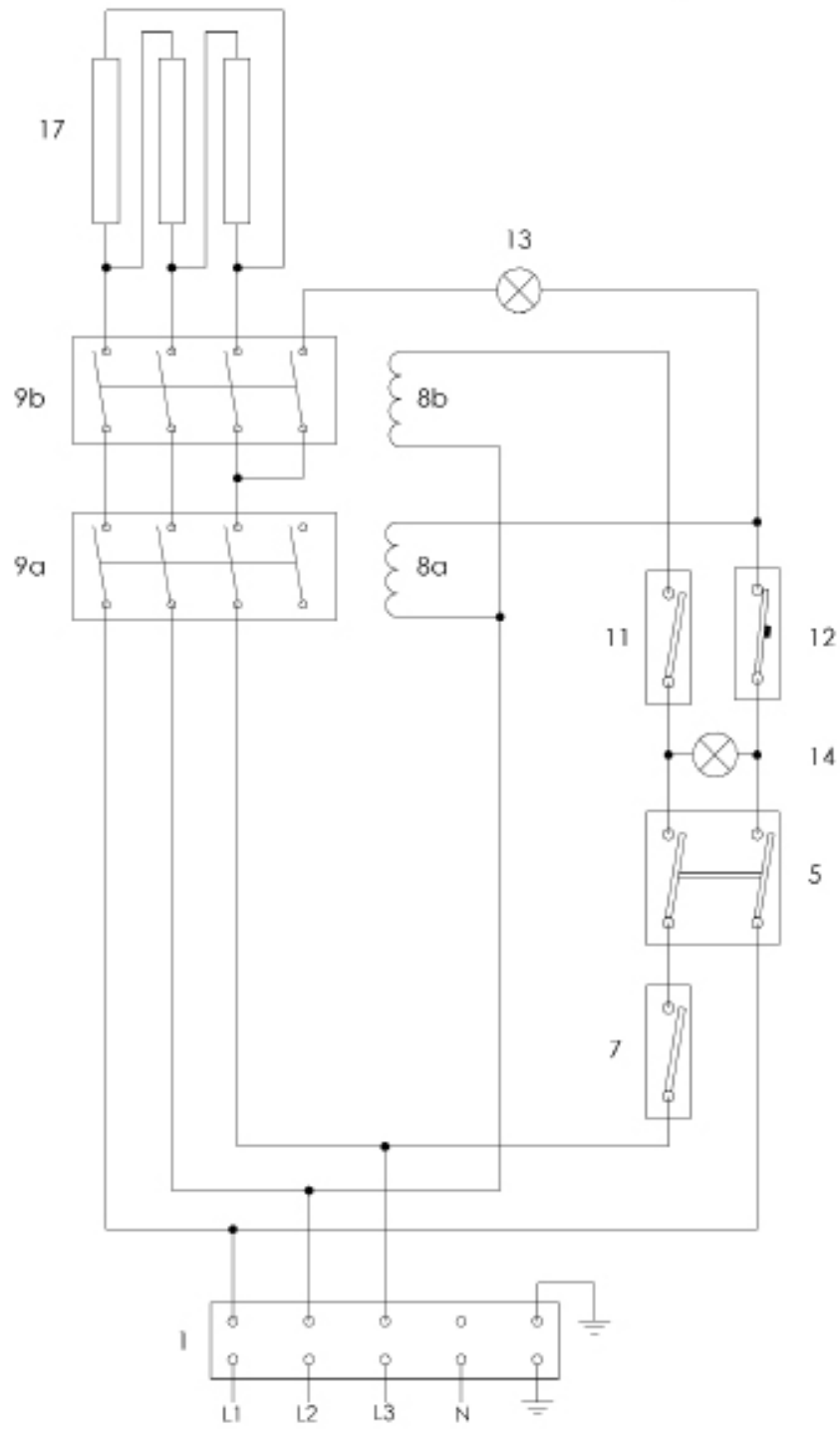
7 - green warning light

8 - relay

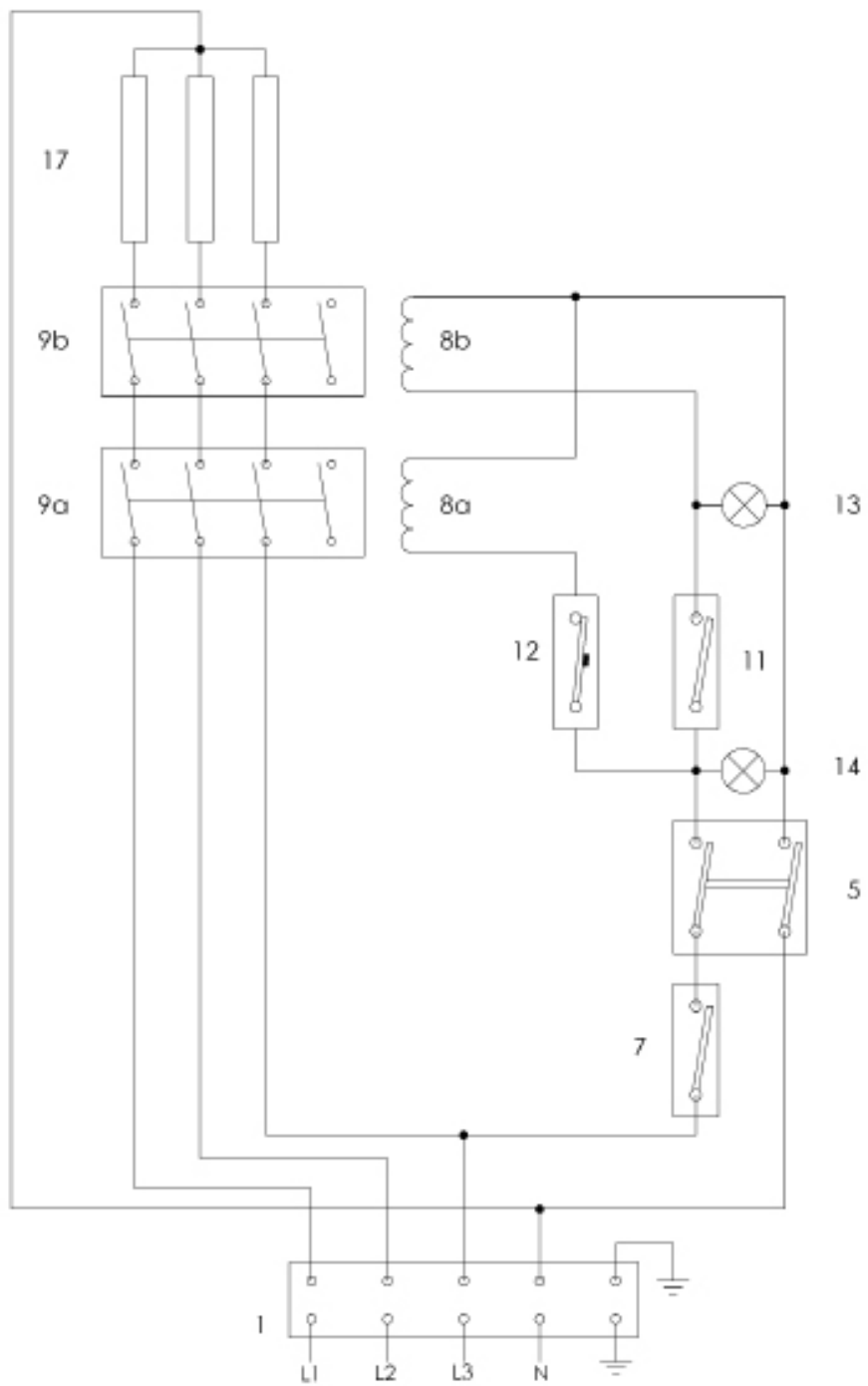
9 - heating element

10 - contact of relay

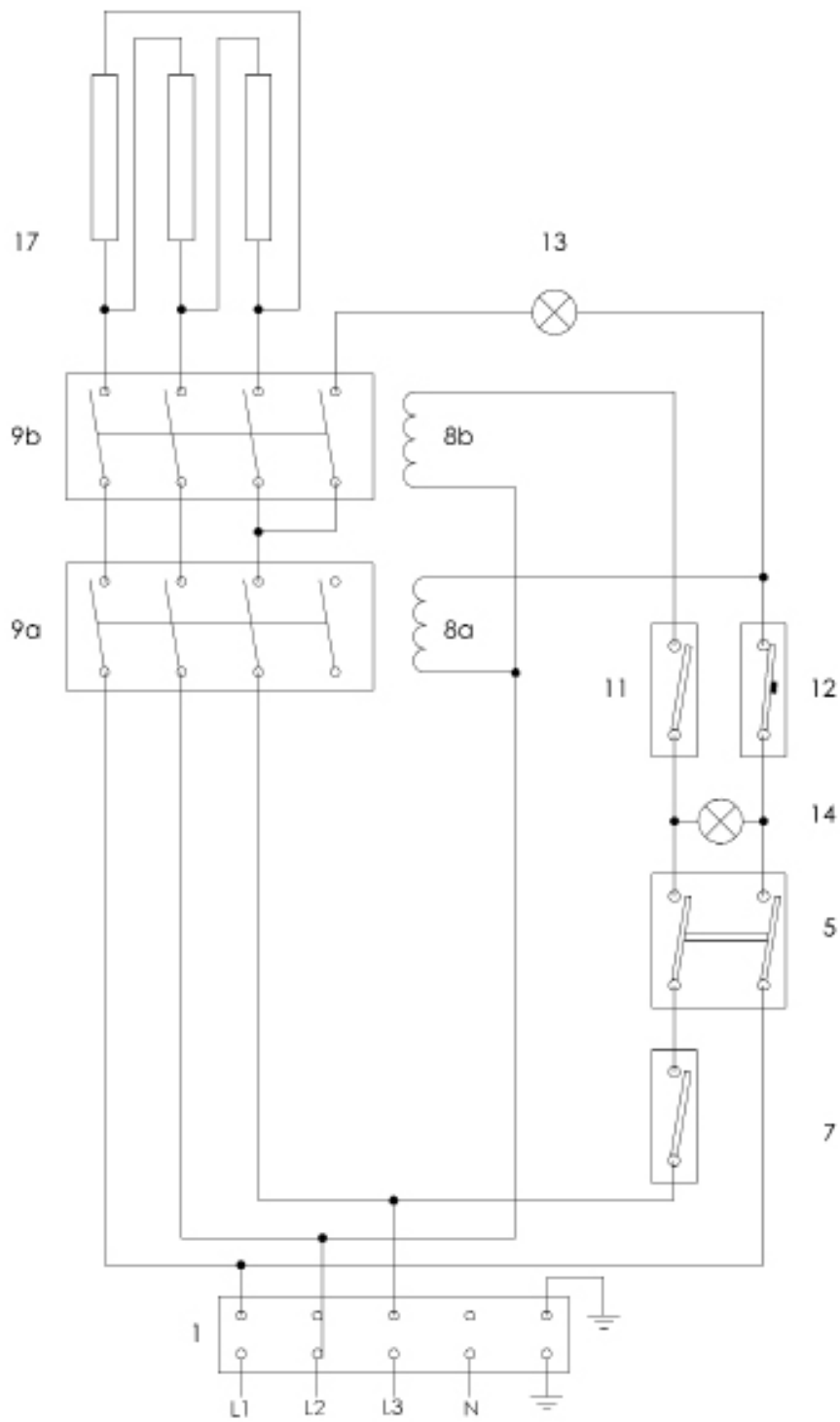
FE - 30/60 (230 V/3 2x contactor)



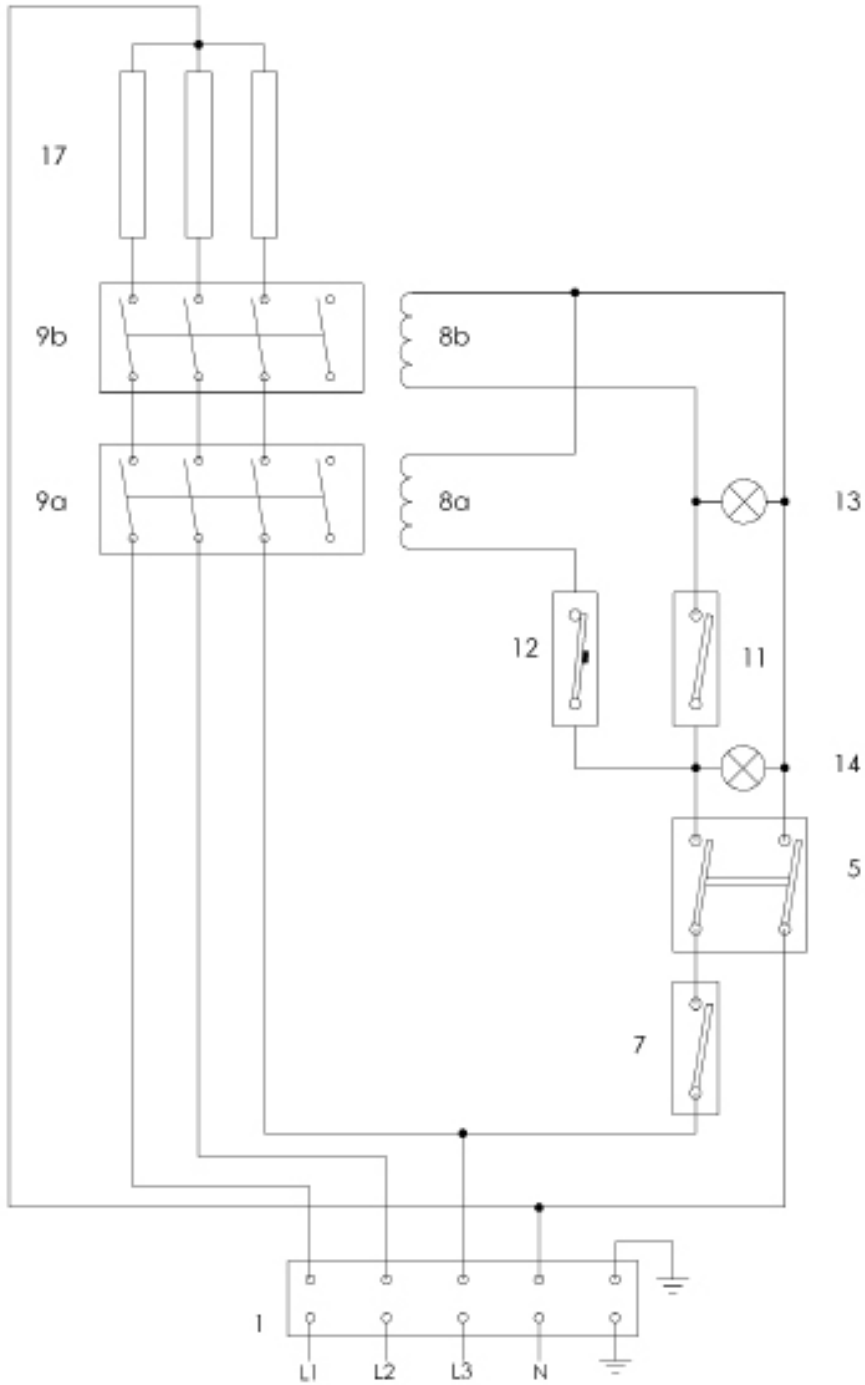
FE - 30/60 (400 V/3N 2x contactor)



FE - 10 T, FE - 1010 T(D) (230 V/3, 2x contactor)



**EL. CONNECTION DIAGRAM / SCHALTPLAN / SCHEMA DU ELECTRIQUE:
FE - 10 T, FE - 1010 T(D) (400 V/3N, 2x contactor)**



List of service organizations:

CZ: RM GASTRO CZ s. r. o., Náchodská 818/16, Praha 9

Tel. +420 281 926 604, info@rmgastro.cz, www.rmgastro.cz

SK: RM Gastro Slovakia, Rybárska 1, Nové Město nad Váhom

Tel.: +421 32 7717061, obchod@rmgastro.sk, www.rmgastro.sk

PL: RM GASTRO Polska Sp. z o. o., ul. Skoczowska 94, 43-450 Ustroń

Tel.: +33 854 73 26, www.rmgastro.pl